

722 Series

Electromechanical Hour Meter



The Model 722 provides an AC Hour Meter with an operating range of 90-264VAC 50/60 Hz. You no longer require two separate meters, one for 115VAC and one for 230VAC. Models are available in the standard industry housings, 2-Hole Rectangular, Flush-Rectangular, Flush-Round, Square and 3-Hole Round. Its quartz time base insures accurate long-term time keeping. The totally sealed case protects against the environment and provides years of reliable service. All models are IP66 and NEMA 4X,12 rated when mounted with optional gasket.

Key Features

- Operating voltage 90-264VAC 50/60Hz
- Totally Sealed
- UL/cUL Recognized, CE & RoHS Compliant
- 6 Figure, 99999.9
- Quartz accuracy
- Options include:
 - Wire leads
 - Gasket kit (for IP66 and NEMA 4X, 12 rating)
 - Custom lens
 - Terminals up, down, straight

Applications

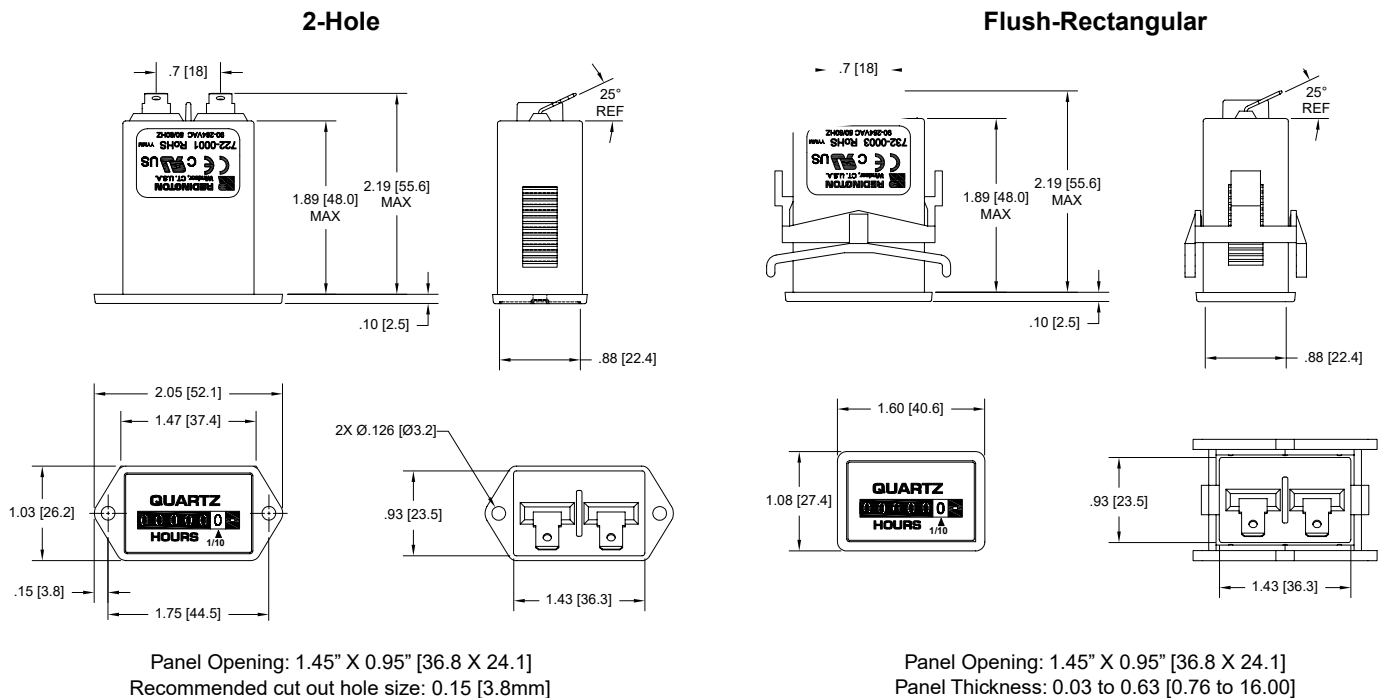
- Medical Equipment
- Control Panels
- Office Equipment
- Test Equipment
- Generators

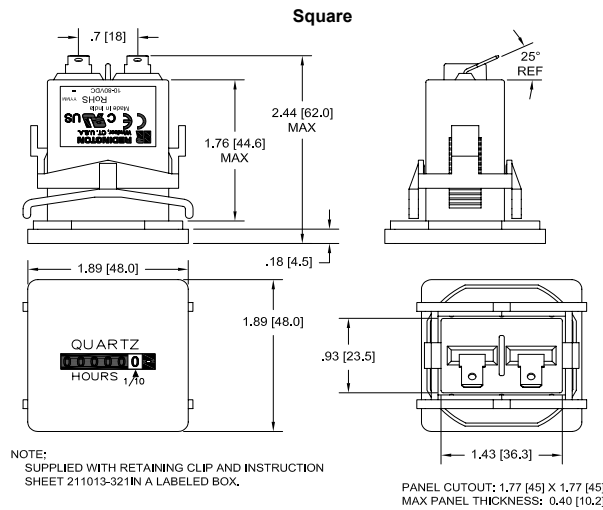
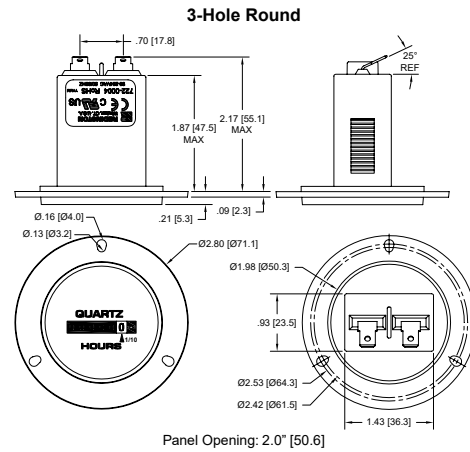
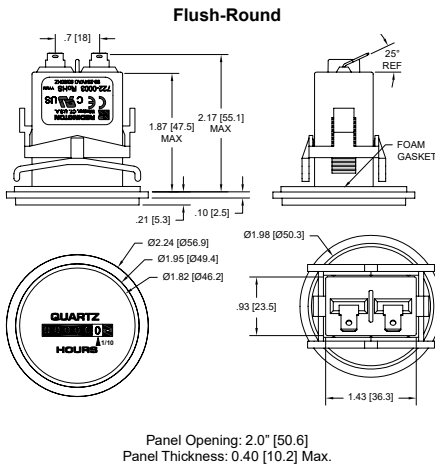
Specification

Figures	6 - digits, 0.14" [3.6mm] 99999.9 Hours and indicator - white on black Decimal - black on white
Reset	Non-reset
Voltage	90-264VAC
Frequency	50/60Hz
Power	1 watt max.
Mount	Clip or mounting holes
Terminations	1/4" [6.3mm] spade terminals
Weight	~2 oz [57 g]
Accuracy	± 0.02% over entire range
Case Material	Black polymer
Lens Material	Polymer
Approvals	UL/cUL Recognized; CE, UKCA & RoHS Compliant; IP66, SAE & NEMA 4X, 12 Compliant
Environmental	Totally Sealed
Front Panel	IP66 and NEMA 4X, 12 rated with optional gasket
Temp. Range	-40°F to +185°F [-40°C to + 85°C]
Humidity	95% (SAE J1378)
Vibration	10-80 Hz. 20g max. (SAE J1378)
Shock	55g @ 9 - 13msec (SAE J1378)

Industry standard quartz timing: The 722 series hour meter uses a quartz crystal oscillator that generates an impulse every 36 seconds or 0.01 of an hour.

Dimensions





Part Numbers

- 722-0001** 2-Hole Rectangular, 90-264VAC 50/60Hz, ¼" [6.3mm] spade terminals, hours & 1/10's
- 722-0002** Flush-Rectangular, 90-264VAC 50/60Hz, ¼" [6.3mm] spade terminals, hours & 1/10's
- 722-0003** Flush-Round, 90-264VAC 50/60Hz, ¼" [6.3mm] spade terminals, hours & 1/10's
- 722-0004** 3-Hole Round, 90-264VAC 50/60Hz, ¼" [6.3mm] spade terminals, hours & 1/10's
- 722-0030** Square 1.9", 90-264VAC 50/60Hz, ¼" [6.3mm] spade terminals, hours & 1/10's
- 5003-010** IP66 / NEMA 4X, 12 Gasket for Model 722-0001
- 5003-009** IP66 / NEMA 4X, 12 Gasket for Model 722-0002
- 5003-008** IP66 / NEMA 4X, 12 Gasket for Model 722-0003
- 5003-011** IP66 / NEMA 4X, 12 Gasket for Model 722-0004



Trumeter (The Americas)
6601 Lyons Rd, Suite H-7
Coconut Creek, Florida
FL 33073,
USA
Tel: +1 954 725 6699
Email: sales.usa@trumeter.com

Trumeter (Europe)
Pilot Mill
Alfred Street
Bury,
BL9 9JR
Tel: +44 161 674 0960
Email: sales.uk@trumeter.com

Innovative Design Technologies Sdn. Bhd
Lot 5881, Lorong Iks Bukit Minyak 1
Taman Perindustrian Iks, 14000 Bukit Tengah
Penang, Malaysia
Web: www.idtworld.com
Tel: + 604 5015700
Email: sales.my@idtworld.com

X-ON Electronics

Largest Supplier of Electrical and Electronic Components

Click to view similar products for [Test Accessories - Other category](#):

Click to view products by [Trumeter manufacturer](#):

Other Similar products are found below :

[897744](#) [AO1026](#) [AO1035](#) [AO1051](#) [AO1059](#) [149116](#) [149118](#) [1921347](#) [2520983](#) [AO1058](#) [2740300](#) [4742](#) [3894880](#) [KTS288540](#) [11-32-2733](#)
[00163](#) [1996686](#) [HH290](#) [700M20TH](#) [628824000](#) [MPT-VF](#) [67-024-01PH](#) [GAK-003](#) [MO-SCREEN](#) [68-020-01P](#) [67-022-01P](#) [CVRF02](#)
[1CM124A](#) [CT3678](#) [CT3679](#) [64.9235](#) [FLUKE BB120-IV](#) [PK5-2.5MM-112](#) [67-012-01P](#) [68-012-01P](#) [VS-AVT-DL](#) [WT27544B01](#) [00840](#)
[P9370B/001](#) [2300-00037-000](#) [VS-AVT-RL](#) [1-1437358-1](#) [4408 POMONA](#) [LMLH 50](#) [046450](#) [00836](#) [FLUKE PM9082/001](#) [85392-12](#) [19292](#)
[19295](#).