



Description

The model 710 AC hour meters and minute meters are widely used in panel applications where number size and visibility are critical. Its tough, Lexan bezel and distinctive styling enhance appearance and durability. Available in 5 figure reset or 6 figure non-reset versions.

Features

- Large figures
- Tough, Lexan case
- Reset or non-reset

Options

- Private label faceplates
- Bracket mount
- Mounting bracket (721-0003)
- Heavy duty splash proof kit (721-0018)
- Gasket (721-0004)

Specifications

**Figures:** 5 figures, 9999.9 (reset) or 6 figure, 99999.9 (non-reset), 0.19" [5mm] high  
**Reset:** Reset (on front or side) or non-reset  
**Voltages:** 24, 115 or 230VAC, (+/-10%), 50 or 60 Hz.  
**Power:** 3 watts (nominal)  
**Mounting:** Panel (3-hole)

**Terminations:** 8" [203.2mm] wire leads or terminal block  
**Temp. Range:** -20°F to +160°F [-29°C to +71°C]  
**Approvals:** UL Recognized, CE Compliant, ROHS  
**Weight:** 6 oz. [170g]

Models Description

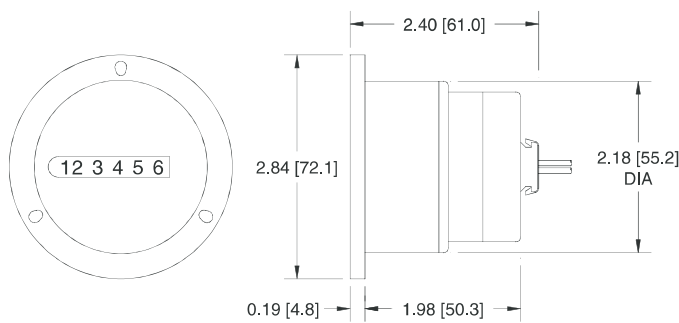
<b>710-0001</b>	115VAC/60HZ, non-reset, 99,999.9 hrs, 8" [203mm] wire leads
<b>710-0002</b>	115VAC/60HZ, non-reset, 99,999.9 hrs, terminal block
<b>710-0003</b>	230VAC/60HZ, non-reset, 99,999.9 hrs, 8" [203mm] wire leads
<b>710-0006</b>	24VAC/60HZ, non-reset, 99,999.9 hrs, 8" [203mm] wire leads
710-0024	24VAC/60HZ, non-reset, 99,999.9 hrs, terminal block

Models Description

\* Items in bold are normally in factory stock.

Dimensions

8" [203mm] Wire Leads



Mounting holes: For #4 screws on 2.44" [62.0] B.C.  
 and #6 screws on 2.53" [64.3] B.C.  
 Panel cutout: 2.21" [56.1] Dia.

Applications

Office equipment



Control panels



Industrial equipment



Test equipment



Compressors



## **X-ON Electronics**

Largest Supplier of Electrical and Electronic Components

*Click to view similar products for [Trumeter manufacturer](#):*

Other Similar products are found below :

[022128-01](#) [10007-009S](#) [1-0734](#) [1-0764](#) [1-0794](#) [1-2235](#) [1-4625](#) [1-4635](#) [1-4635T](#) [1-4645](#) [1-CR-35](#) [1-CU-13](#) [1-CU-24](#) [1-CU-33](#) [1-CU-34](#) [1-CU-44](#) [2-0734](#) [2-0764](#) [2-1006](#) [2-1007](#) [2-1017](#) [2-1041-10/1-115AC](#) [21-2936-1](#) [2-1525-115AC](#) [2-2735](#) [2-2936](#) [2-4016](#) [2-4615](#) [2-4815-115AC](#) [2-4816-115AC](#) [2-4817-115AC](#) [3-1804](#) [3-2835](#) [3400-0000](#) [3410-0000](#) [3410-1000](#) [4-0734](#) [5003-009](#) [5003-010](#) [5003-011](#) [5003-013](#) [5003-017](#) [5300-0200](#) [5321-1000](#) [5321-1100](#) [6-2835](#) [6320-0000-0000](#) [6320-1000-0000](#) [6320-2500-0000](#) [7000](#)