

711 Series

Electromechanical Hour Meter



The Redington Model 711 provides a family of compact 7 figure, AC Hour Meters. Models are available in the standard industry housings, 2-Hole rectangular, flush-round and flush-rectangular. A choice of two rectangular panel cutouts are offered 1.45" X 0.95" [36.8mm X 24.1mm] or 1.45" X 0.87" [36.8mm X 2.1mm]. The Round meter has a panel cutout of 1.99" [50.5mm].

Key Features

- 7 figure, 99999.99
- Various voltage inputs
- Large figures, 0.14" [3.6mm]
- CE Compliant, ROHS
- UL Recognized
- Options include:
 - Special voltages
 - Terminations
 - Panel cutout

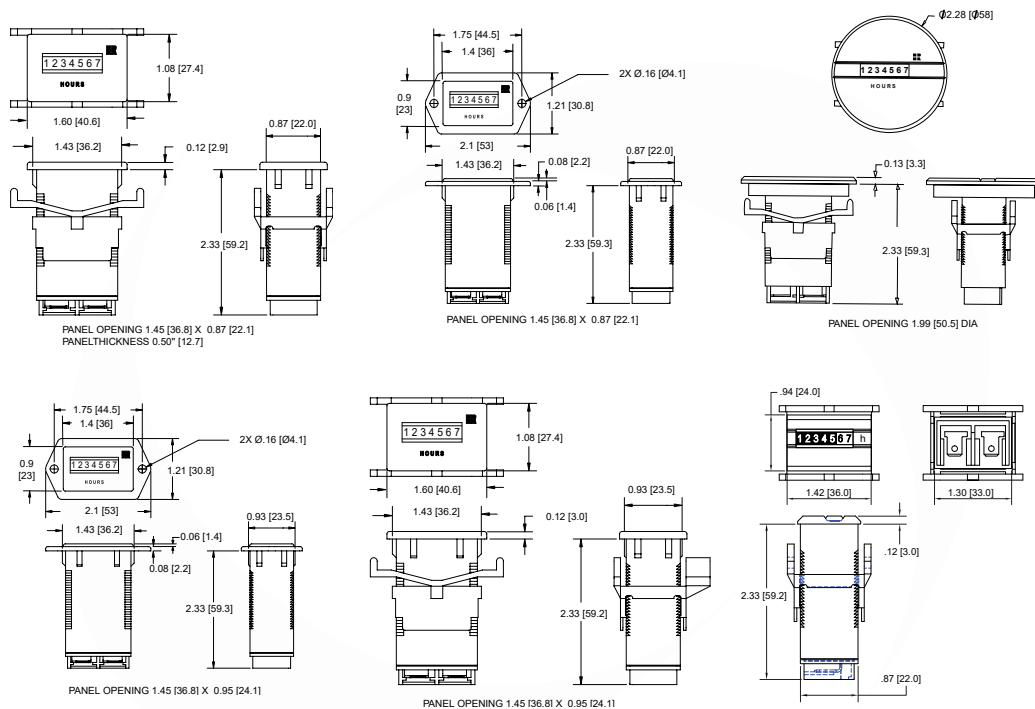
Applications

- Office Equipment
- Test Equipment
- Medical Equipment

Specification

Figures	7 figures, 0.14" [3.6mm] 99999.99
Reset	Non-reset
Voltages	24, 115 or 230VAC (± 10%)
Case Material	Black polymer
Weight	1.2oz. [35g]
Power	2 watts AC
Mount	Clip or mounting holes
Terminations	1/4" [6.3mm] spade terminals with screws (AC)
Temp. Range	-22°F to +180°F [-30°C to +82°C]
Storage Temp.	-40°F to +185°F [-40°C to +85°C]
Vibration	1g [10/500Hz] IEC 68-T2-34
Shock	30g [18ms] IEC 68-T2-27 25g [16ms] IEC 68-T2-19
Approvals	CE Compliant, UL Recognized

Dimensions



Part Numbers

Models	Voltage AC	Mount	Panel Cut-out			
			1.45 X .87	1.45 X .95	1.99	1.299 x .866
711-0013	115VAC/60Hz	Round			X	
711-0014	230VAC/60Hz	Round			X	
711-0100	230VAC/60Hz	Flush Rect.				X
711-0113	115VAC/60Hz	Flush Rect.	X			
711-0114	24VAC/60Hz	Flush Rect.	X			
711-0120	115VAC/60Hz	Flush Rect.		X		
711-0123	230VAC/60Hz	Flush Rect.		X		
711-0130	115VAC/60Hz	2-Hole		X		
711-0131	230VAC/60Hz	2-Hole	X			
711-0132	24VAC/60Hz	2-Hole	X			
711-0133	115VAC/50Hz	2-Hole	X			
711-0138	230VAC/60Hz	Flush Rect.	X			



These 7 figure, AC hour meters with running indicators, offer crisp, distinctive styling for many panel applications. Available in square and round bezel, flush mount, or three-hole round panel mount. Each is light-weight, low power, and carry UL and CE approvals.

Key Features

- 7 figure, 99999.99
- Various voltage inputs
- Distinctive styling
- Options include:
 - Terminations
 - Din rail
 - VoltagesPanel cutout

Applications

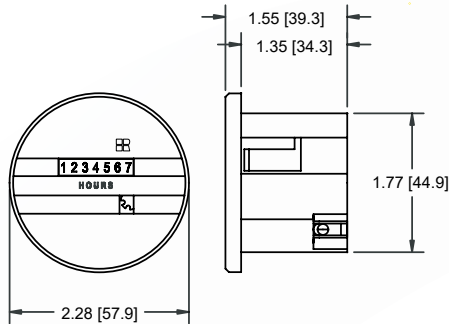
- Office Equipment
- Test Equipment
- Medical Equipment

Specification

Figures	7 figures, 0.14" high [3.6mm], 99,999.99 hours
Reset	Non-reset
Voltages	24, 115, or 230VAC (+/-10%)
Power	3 watts (AC)
Mount	Panel (mounting hardware included)
Terminations	1/4" [6.3mm] spade terminals, with removable screws, or 8" [203mm] wire leads
Front Panel	IP65
Temp. Range	-22°F to +158°F [-30°C to +70°C]
Weight	1.6 oz. [46g]
Approvals	UL Recognized, CE Compliant, ROHS

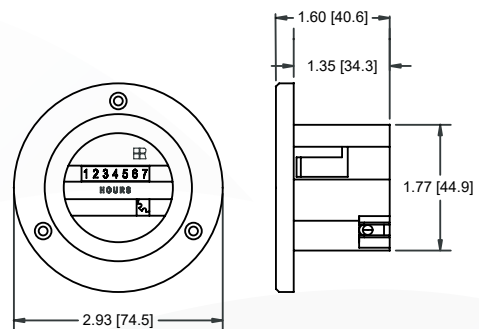
Dimensions

2.28" Dia. Flush



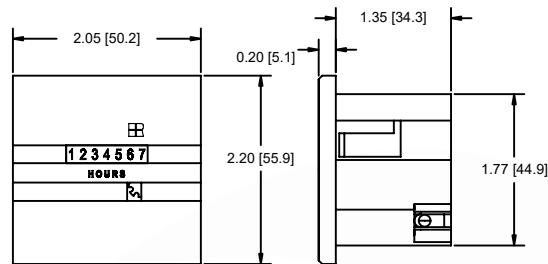
Panel cutout: 1.99" [50] Dia. or 1.81" [46] Sq.

3 - Hole Round



Panel cutout: 1.99" [50] Dia. or 1.81" [46] Sq.
Screws provided: 4-40 x 5/8" [16]
Bolt hole circle: 2.44" [62]

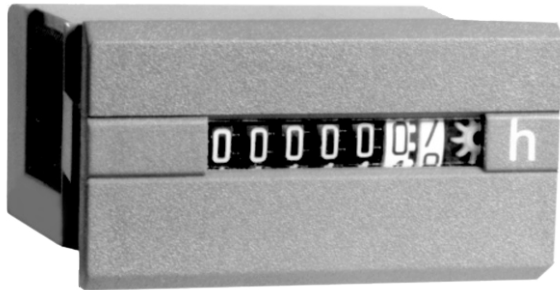
1.89" or 2.05" Square



Panel cutout: 1.99" [50] Dia. or 1.81" [46] Sq.
(for 1.89" Sq. use 1.81" [46] Sq. cutout only)

Part Numbers

711-0150	115VAC/60Hz, 2.28" Dia.,	Flush mount, screw termination
711-0152	230VAC/60Hz, 2.28" Dia.,	Flush mount, screw termination
711-0160	115VAC/60Hz, 2.93" Dia.,	3-hole round, screw termination
711-0162	230VAC/60Hz, 2.93" Dia.,	3-hole round, screw termination
711-0163	230VAC/50Hz, 2.93" Dia.,	3-hole round, screw termination
711-0164	24VAC/60Hz, 2.93" Dia.,	3-hole round, screw termination
711-0171	115VAC/60Hz, 2.93" Dia.,	3-hole round, 8" wire leads
711-0180	115VAC/60Hz, 1.89" Sq.,	Flush mount, screw termination
711-0182	24VAC/60Hz, 1.89" Sq.,	Flush mount, screw termination
711-0190	115VAC/60Hz, 2.05" Sq.,	Flush mount, screw termination
711-0192	24VAC/60Hz, 2.05" Sq.,	Flush mount, screw termination
711-0193	115VAC/50Hz, 2.05" Sq.,	Flush mount, screw termination
711-0195	24VAC/50Hz, 2.05" Sq.,	Flush mount, screw termination



A rectangular style AC hour meter designed to complement existing meters in control panels. Available in 6 figure reset or 7 figure non-reset. The nonreset model incorporates a retaining clip to lock into panel, while the reset version has a metal bracket and screw.

Key Features

- Large figures
- 6 or 7 digits
- CE Compliant, ROHS
- Options include:
 - Reset or non-reset

Applications

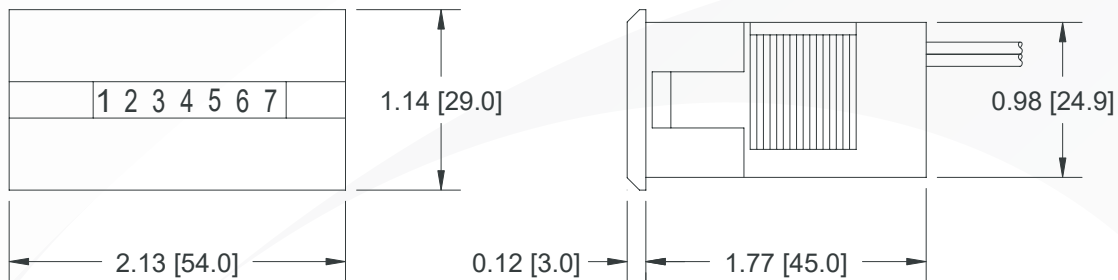
- Office Equipment
- Test Equipment
- Medical Equipment

Specification

Figures	6 figure (reset) or 7 figure (non-reset), 0.19" [5mm] high 9,999.99 hours. (reset version) 99,999.99 hours. (non-reset models)
Reset	Push-button, or non-reset
Voltages	115VAC (+/- 10%), 50 or 60 Hz.
Power	2 watts (nominal)
Mount	Panel (mounting hardware included)
Terminations	19" [483mm] wire leads
Front Panel	IP65
Temp. Range	-4°F to +158°F [-20°C to +70°C]
Weight	2 oz. [57g]
Approvals	CE Compliant, ROHS
Options	Voltages

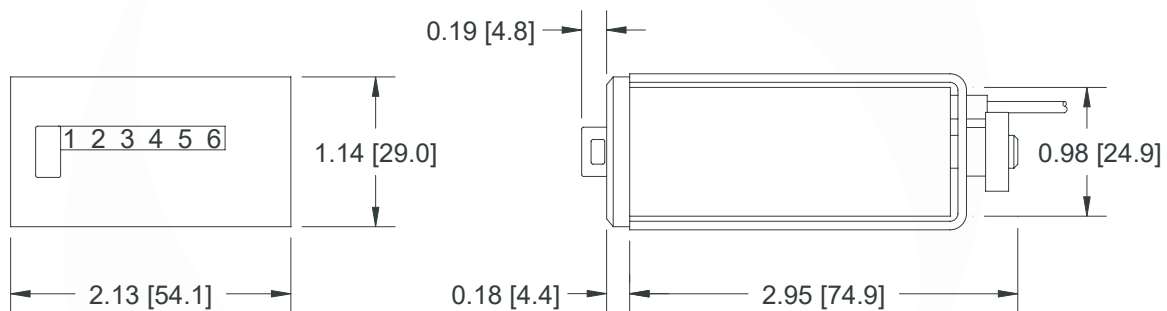
Dimensions

Non-Reset



Panel cutout: 1.98" x 0.99" [50.3 x 25.1]

Reset



Panel cutout: 1.98" x 0.99" [50.3 x 25.1]

Part Numbers

711-0019	115VAC/60Hz, reset,	6 figure, 9,9999.99hrs.,	19" [483mm] wire leads
711-0020	115VAC/60Hz, non-reset,	7 figure, 99,9999.99hrs.,	19" [483mm] wire leads
711-0041	115VAC/50Hz, non-reset,	7 figure, 99,9999.99hrs.,	19" [483mm] wire leads



X-ON Electronics

Largest Supplier of Electrical and Electronic Components

Click to view similar products for [Timers](#) category:

Click to view products by [Trumeter](#) manufacturer:

Other Similar products are found below :

[79237785](#) [H5AN-4DM DC12-24](#) [H5CN-YAN AC100-240](#) [H5CX-L8S-N AC100-240](#) [H5S-WFB2D](#) [H5AN-4D DC12-24](#) [THR2U-110A](#)
[81506944](#) [88225029](#) [H5S-YB4-X](#) [H7AN-2D DC12-24](#) [H5CN-XANS DC12-48](#) [H7AN-W4DM DC12-24](#) [H7AN-4DM DC12-24](#) [H7AN-4D](#)
[DC12-24](#) [H7AN-RT6M AC100-240](#) [1SVR508020R1100](#) [1SVR508100R0000](#) [1SVR550127R4100](#) [1SVR730010R3200](#) [1SVR730020R3300](#)
[1SVR730211R2300](#) [1SVR740100R3300](#) [PCU-511UNI](#) [H3C-R](#) [H3CR-A8-301 24-48AC/12-48DC](#) [H3CR-A8E 24-48AC/DC](#) [H3CR-F8 100-](#)
[240AC/100-125DC](#) [H3CR-FN 100-240AC/100-125DC](#) [H3DK-G 24-230AC/DC](#) [H3DK-HBL AC/DC24-48](#) [H3DK-M1A DC12](#) [H3DT-A1 24-](#)
[240AC/DC](#) [LT4H-AC24V](#) [LT4HW8-AC240V](#) [LT4HW-AC240V](#) [LT4HW-AC240VS](#) [LT4HW-AC24VS](#) [LT4HW-DC24V](#) [LT4HW-DC24VS](#)
[31L48AP](#) [31L48TPM240](#) [RC302](#) [RC312](#) [RE48ACV12MW](#) [REV-201M](#) [RG](#) [AT78041](#) [AT78051](#) [ATC180041](#)