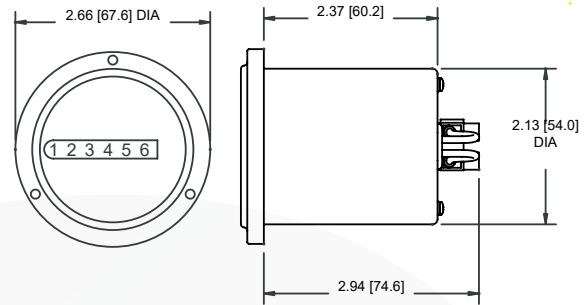


# 720 Series

## Electromechanical Hour Meter



Panel cutout: 2.16" [54.9] Dia.  
Mounting holes: 0.125" [3.2] Dia. on 2.44" [62.0] B.C.

6 figure (non-reset), AC hour meter encased in a rugged steel housing. The faces of these meters are sealed for periodic washdowns.

### Key Features

- Rugged steel housing
- Options include:
  - Readouts to 9999.99 hrs.
  - Gasket (721-0004)

### Applications

- Control panel
- Industrial equipment
- Test equipment

### Specification

**Figures:** 6 figure (non-reset), 0.19" [5mm] high,  
99,999.9 (non-reset)

**Reset:** Non-reset

**Voltages:** 115VAC (+/- 10%), 60Hz.

**Power:** 3 watts max.

**Mounting:** Panel (3-hole)

**Termination:** 6" [152mm] wire leads

**Temp. Range:** -40°F to +160°F [-40°C to +70°C]

**Approvals:** UL Recognized, CE Compliant, ROHS

**Weight:** 10 oz. [284g]

### Part Numbers

**720-0007** 115VAC/60Hz, non-reset, 3-hole round, 6" [152.4mm] wire leads



## X-ON Electronics

Largest Supplier of Electrical and Electronic Components

*Click to view similar products for [Timers](#) category:*

*Click to view products by [Trumeter](#) manufacturer:*

Other Similar products are found below :

[H5S-WFB2D](#) [304E-007-A-00-PX](#) [305E-015-A-1-0-PX](#) [THR2U-110A](#) [81506944](#) [H7AN-RT6M AC100-240](#) [711-0131](#) [600DT-CU](#)  
[1SVR508130R0000](#) [1SVR730100R3100](#) [1SVR740040R3300](#) [H3Y-2 AC24 10S](#) [81503028](#) [722-0001](#) [732-0023](#) [80.01.0.240.0000T](#)  
[81.01.0.230.0000T](#) [12.A4.8.230.0010](#) [85.03.0.024.0000](#) [80.61.0.240.0000T](#) [LTR10](#) [SL555D](#) [SA555DR-HXY](#) [NE555P-HXY](#) [KG316T-D](#)  
[AC220V](#) [JSZ3A-E AC220V](#) [JSZ3A-F AC220V](#) [JSS48A-2Z AC/DC24V-48V](#) [JSZ3C-B AC220V](#) [JSZ6-2 10s DC24V](#) [JSZ6-2 60s DC24V](#)  
[JSZ3Y 30s AC220V](#) [JS14P 999s AC220V](#) [JS14P 99s AC220V](#) [KG10M AC220V](#) [JSZ3A-A AC220V](#) [JSZ3A-B DC24V](#) [JSS48A-2Z AC220V](#)  
[JSZ6-2 10s AC220V](#) [JSZ3F 30s AC220V](#) [JZF-07 AC220V](#) [JSZ3A-B AC220V](#) [JS14P 99s AC380V](#) [JSZ3F 60s AC220V](#) [710037400000004](#)  
[NKG3-M AC220V](#) [JSZ3A-D AC220V](#) [JSZ6-2 60s AC220V](#) [KG10D-1H AC220V](#) [JSS48A AC220V](#)