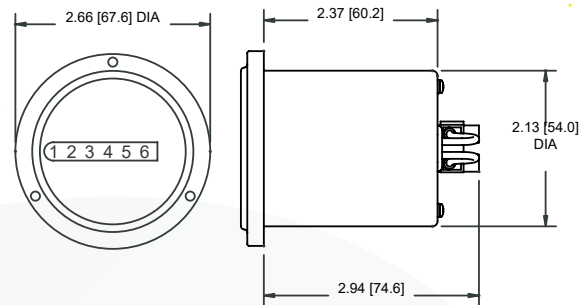


720 Series

Electromechanical Hour Meter



Panel cutout: 2.16" [54.9] Dia.
Mounting holes: 0.125" [3.2] Dia. on 2.44" [62.0] B.C.

6 figure (non-reset), AC hour meter encased in a rugged steel housing. The faces of these meters are sealed for periodic washdowns.

Key Features

- Rugged steel housing
- Options include:
 - Readouts to 9999.99 hrs.
 - Gasket (721-0004)

Applications

- Control panel
- Industrial equipment
- Test equipment

Specification

Figures: 6 figure (non-reset), 0.19" [5mm] high,
99,999.9 (non-reset)

Reset: Non-reset

Voltages: 115VAC (+/- 10%), 60Hz.

Power: 3 watts max.

Mounting: Panel (3-hole)

Termination: 6" [152mm] wire leads

Temp. Range: -40°F to +160°F [-40°C to +70°C]

Approvals: UL Recognized, CE Compliant, ROHS

Weight: 10 oz. [284g]

Part Numbers

720-0007 115VAC/60Hz, non-reset, 3-hole round, 6" [152.4mm] wire leads



X-ON Electronics

Largest Supplier of Electrical and Electronic Components

Click to view similar products for [Timers](#) category:

Click to view products by [Trumeter](#) manufacturer:

Other Similar products are found below :

[79237785](#) [H5AN-4DM DC12-24](#) [H5CN-YAN AC100-240](#) [H5CX-L8S-N AC100-240](#) [H5S-WFB2D](#) [H5AN-4D DC12-24](#) [THR2U-110A](#)
[81506944](#) [88225029](#) [H5S-YB4-X](#) [H7AN-2D DC12-24](#) [H5CN-XANS DC12-48](#) [H7AN-W4DM DC12-24](#) [H7AN-4DM DC12-24](#) [H7AN-4D](#)
[DC12-24](#) [H7AN-RT6M AC100-240](#) [LT4H-AC24VS](#) [1SVR508020R1100](#) [1SVR508100R0000](#) [1SVR550127R4100](#) [1SVR730010R3200](#)
[1SVR730020R3300](#) [1SVR730211R2300](#) [1SVR740100R3300](#) [PCU-511UNI](#) [732-0030](#) [H3C-R](#) [H3CR-A8-301 24-48AC/12-48DC](#) [H3CR-](#)
[A8E 24-48AC/DC](#) [H3CR-F8 100-240AC/100-125DC](#) [H3CR-FN 100-240AC/100-125DC](#) [H3DK-G 24-230AC/DC](#) [H3DK-HBL AC/DC24-48](#)
[H3DK-M1A DC12](#) [H3DT-A1 24-240AC/DC](#) [LT4H-AC24V](#) [LT4HW8-AC240V](#) [LT4HW-AC240V](#) [LT4HW-AC240VS](#) [LT4HW-AC24VS](#)
[LT4HW-DC24V](#) [LT4HW-DC24VS](#) [31L48AP](#) [31L48TPM240](#) [RC302](#) [RC312](#) [RE48ACV12MW](#) [REV-201M](#) [RG](#) [AT78041](#)