

## 731 Series

### Electromechanical Hour Meter



Our 731 Series provides a family of compact 7 figure, DC Hour Meters. Models are available in the standard industry housings, 2- Hole rectangular, flush-round and flush-rectangular. DC Models are quartz controlled for high reliability and accuracy. A choice of two rectangular panel cutouts are offered 1.45" X 0.95" [36.8mm X 24.1mm] or 1.45" X 0.87" [36.8mm X 2.1mm]. The Round meter has a panel cutout of 1.99" [50.5mm].

#### Key Features

- 7 figure, 99999.99
- Various voltage inputs
- Quartz accuracy (DC)
- Large figures, 0.14" [3.6mm]
- CE Compliant, ROHS, UKCA
- UL/cUL Recognized for DC
- Options include:
  - Special voltages
  - Terminations
  - Panel cutout

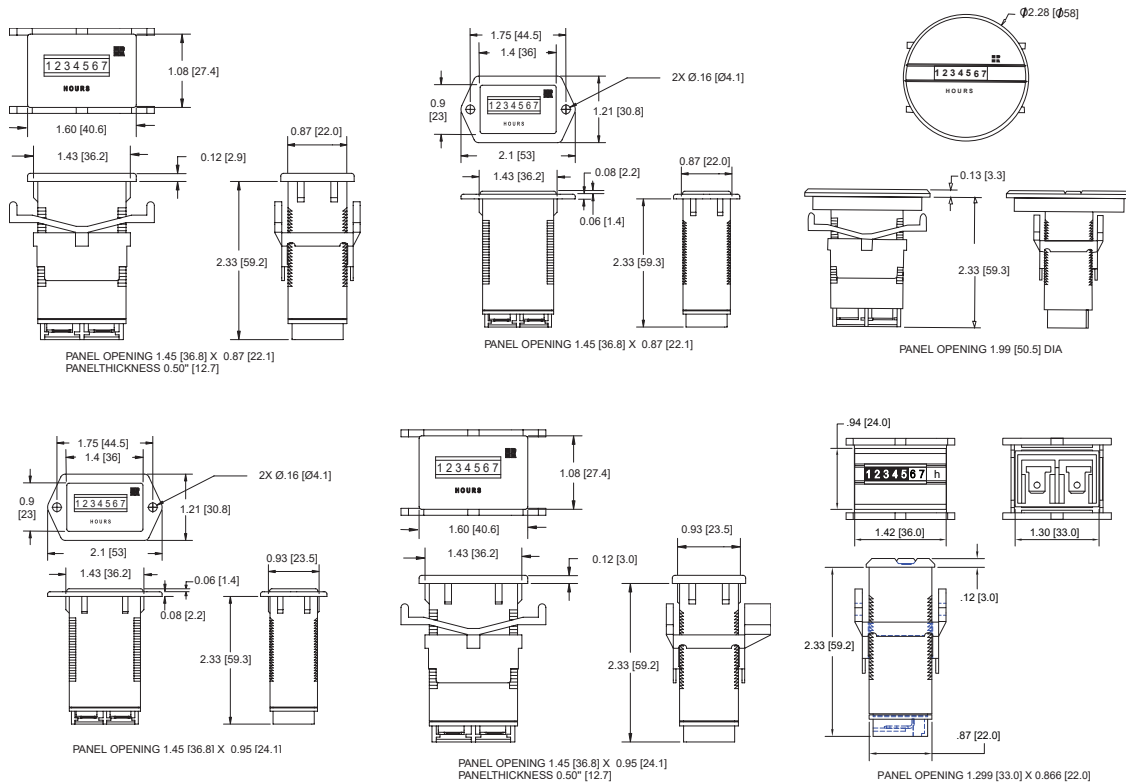
#### Applications

- Office Equipment
- Test Equipment
- Medical Equipment

## Specification

<b>Figures</b>	7 figures, 0.14" [3.6mm] 99999.99
<b>Reset</b>	Non-reset
<b>Voltages</b>	10-28VDC
<b>Power</b>	0.4 watts DC
<b>Mount</b>	Clip or mounting holes
<b>Terminations</b>	1/4" [6.3mm] spade terminals (DC)
<b>Accuracy</b>	0.01% (DC) quartz
<b>Case Material</b>	Black polymer
<b>Weight</b>	1.2oz. [35g]
<b>Front Panel</b>	IP65
<b>Temp. Range</b>	-22°F to +180°F [-30°C to +82°C]
<b>Storage Temp.</b>	-40°F to +185°F [-40°C to +85°C]
<b>Vibration</b>	1g [10/500Hz] IEC 68-T2-34
<b>Shock</b>	30g [18ms] IEC 68-T2-27 25g [16ms] IEC 68-T2-19
<b>Approvals</b>	CE Compliant, UKCA, UL/cUL Recognized for DC

## Dimensions



## Part Numbers

Models	Voltage DC	Mount	Panel Cut-out			
			1.45 X .87	1.45 X .95	1.99	1.299 X .866
731-0006	10-28VDC	Round			X	
731-0040	10-28VDC	2-Hole	X			
731-0041	10-28VDC	Flush Rect	X			
731-0042	10-28VDC	Flush Rect.		X		
731-0051	10-28VDC	2-Hole		X		
731-0100	10-28VDC	Flush Rect.				X



These 7 figure, DC hour meters with running indicators, offer crisp, distinctive styling for many panel applications. Available in square and round bezel, flush mount, or three-hole round panel mount. Each is light-weight, low power, and carry UL and CE approvals.

### Key Features

- 7 figure, 99999.99
- Various voltage inputs
- Distinctive styling
- Options include:
  - Terminations
  - DIN rail
  - Voltages

### Applications

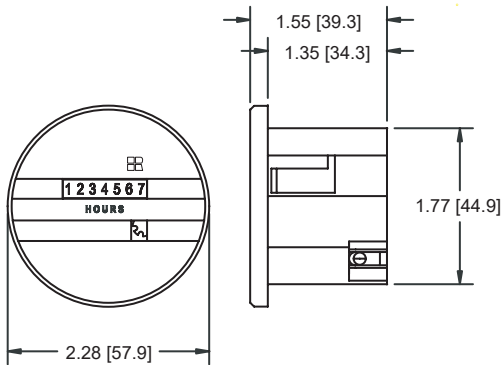
- Office Equipment
- Test Equipment
- Medical Equipment

### Specification

<b>Figures</b>	7 figures, 0.14" high [3.6mm], 99,999.99 hours
<b>Reset</b>	Non-reset
<b>Voltages</b>	10-80VDC
<b>Power</b>	1.2 watt maximum (DC)
<b>Mount</b>	Panel (mounting hardware included)
<b>Terminations</b>	1/4" [6.3mm] spade terminals, with removable screws, or 8" [203mm] wire leads
<b>Front Panel</b>	IP65
<b>Temp. Range</b>	-22°F to +158°F [-30°C to +70°C]
<b>Weight</b>	1.6 oz. [46g]
<b>Approvals</b>	UL Recognized, CE Compliant, ROHS, UKCA

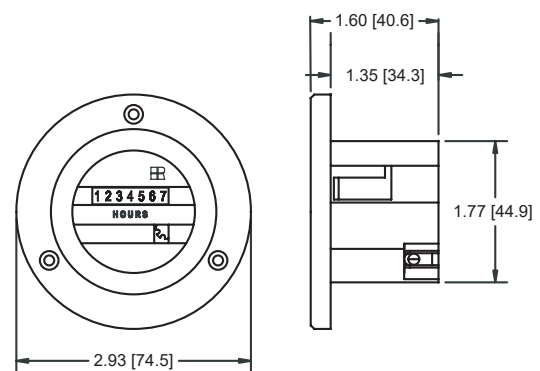
## Dimensions

### 2.28" Dia. Flush



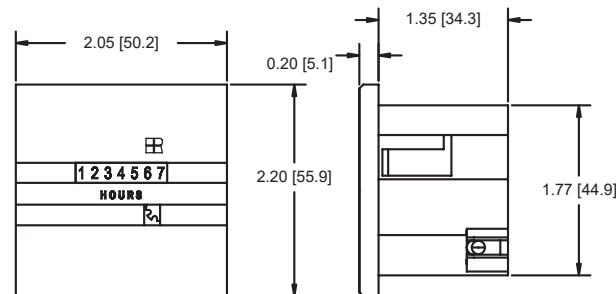
Panel cutout: 1.99" [50] Dia. or 1.81" [46] Sq.

### 3 - Hole Round



Panel cutout: 1.99" [50] Dia. or 1.81" [46] Sq.  
Screws provided: 4-40 x 5/8" [16]  
Bolt hole circle: 2.44" [62]

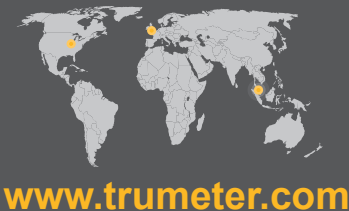
### 1.89" or 2.05" Square



Panel cutout: 1.99" [50] Dia. or 1.81" [46] Sq.  
(for 1.89" Sq. use 1.81" [46] Sq. cutout only)

## Part Numbers

<b>731-0046</b>	10-80VDC, 2.93" Dia., 3-hole round, screw termination
<b>731-0180</b>	10-80VDC, 1.89" square, screw termination
<b>T.008.171</b>	55mm Bezel Adapter
<b>T.008.177</b>	72mm Bezel adapter



**Trumeter (Europe)**  
Pilot Mill  
Alfred Street  
Bury,  
BL9 9EF  
Tel: +44 161 674 0960  
Email: sales.uk@trumeter.com

**Trumeter (The Americas)**  
6601 Lyons Rd, Suite H-7  
Coconut Creek, Florida  
FL 33073,  
USA  
Tel: +1 954 725 6699  
Email: sales.usa@trumeter.com

**Innovative Design Technologies Sdn. Bhd**  
Lot 5881, Lorong lks Bukit Minyak 1  
Taman Perindustrian Iks, 14000 Bukit Tengah  
Penang, Malaysia  
Web: www.idtworld.com  
Tel: + 604 5015700  
Email: sales.my@idtworld.com

## X-ON Electronics

Largest Supplier of Electrical and Electronic Components

*Click to view similar products for [Timers](#) category:*

*Click to view products by [Trumeter](#) manufacturer:*

Other Similar products are found below :

[H5S-WFB2D](#) [304E-007-A-00-PX](#) [305E-015-A-1-0-PX](#) [THR2U-110A](#) [81506944](#) [H7AN-RT6M AC100-240](#) [600DT-CU](#) [1SVR730100R3100](#)  
[1SVR740040R3300](#) [H3RN-2 24VDC](#) [H3Y-2 AC24 10S](#) [81503028](#) [711-0113](#) [711-0180](#) [722-0001](#) [732-0023](#) [80.01.0.240.0000T](#)  
[81.01.0.230.0000T](#) [12.A4.8.230.0010](#) [85.03.0.024.0000](#) [80.61.0.240.0000T](#) [LTR10](#) [SL555D](#) [SA555DR-HXY](#) [NE555P-HXY](#) [KG316T-D](#)  
[AC220V](#) [JSZ3A-E AC220V](#) [JSZ3A-F AC220V](#) [JSS48A-2Z AC/DC24V-48V](#) [JSZ3C-B AC220V](#) [JSZ6-2 10s DC24V](#) [JSZ6-2 60s DC24V](#)  
[JSZ3Y 30s AC220V](#) [JS14P 999s AC220V](#) [JS14P 99s AC220V](#) [KG10M AC220V](#) [JSZ3A-A AC220V](#) [JSZ3A-B DC24V](#) [JSS48A-2Z AC220V](#)  
[JSZ6-2 10s AC220V](#) [JSZ3F 30s AC220V](#) [JZF-07 AC220V](#) [JSZ3A-B AC220V](#) [JS14P 99s AC380V](#) [JSZ3F 60s AC220V](#) [710037400000004](#)  
[JSZ3A-D AC220V](#) [JSZ6-2 60s AC220V](#) [KG10D-1H AC220V](#) [JSS48A AC220V](#)