

732 Series

Electromechanical Hour Meter



Available with stainless steel bezel

The Model 732 provides a DC Hour Meter with an operating range of 10-80VDC. Models are protected for 2 times battery voltage and/or reverse polarity. Models are available in the standard industry housings, 3-Hole Round, Flush-Rectangular, Flush-Round and 2-Hole Rectangular. A Stirrup and Cup mount are available for applications where high shock and vibration exist. Its quartz time base insures accurate long-term time keeping. The totally sealed case protects against the environment and provides years of reliable service. Most models are NEMA 4X, 12 rated when mounted with optional gasket.

Key Features

- Operating voltage 10-80VDC
- Totally Sealed
- UL/cUL Recognized, CE & RoHS Compliant
- 6 Figure, 99999.9
- Quartz accuracy
- Options include:
 - Wire leads
 - Gasket kit (for NEMA 4X, 12 rating)
 - Custom lens
 - Terminals up, down, straight

Applications

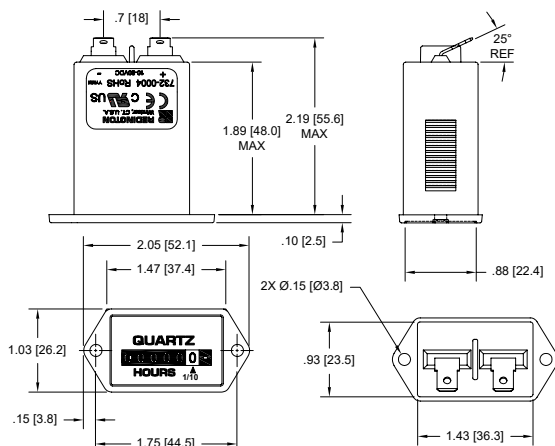
- Material Handling
- Farming Equipment
- Outdoor Power Equipment
- Construction Equipment
- Utility Vehicles

Specification

Figures	6 - digits, 0.14" [3.6mm] 99999.9 Hours and indicator - white on black Decimal - black on white
Reset	Non-reset
Voltage	10-80VDC
Power	1 watt max.
Mount	Clip, mounting holes, Cup, or Stirrup
Terminations	1/4" [6.3mm] spade terminals
Weight	~2 oz [57 g]
Accuracy	± 0.02% over entire range
Bezel	Stirrup and Cup mount have metallic bezels
Case Material	Black polymer
Lens Material	Cup & Stirrup - glass All other models - polymer
Transient Protection	± 6 times normal for 300msec
Approvals	UL/cUL Recognized, CE, SAE, & RoHS Compliant. All models are NEMA 4X, 12 Compliant except the Cup and Stirrup mount
Overvoltage & Reverse Polarity	Protected for 2 times battery voltage and/or reverse polarity
Environmental	Totally Sealed
Front Panel	NEMA 4X, 12 rated with optional gasket
Temp. Range	-40°F to +185°F [-40°C to + 85°C]
Humidity	95% (SAE J1378)
Vibration	10-80 Hz. 20g max. (SAE J1378)
Shock	55g @ 9 - 13msec (SAE J1378)

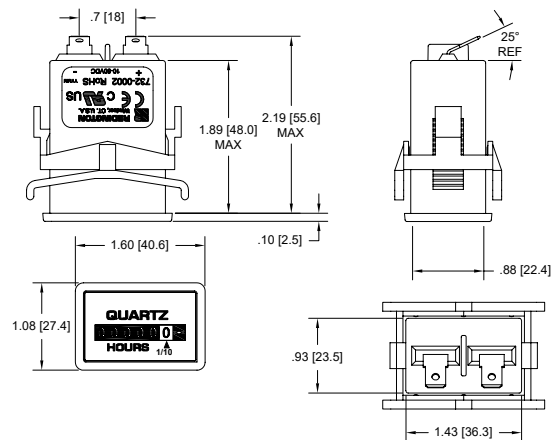
Dimensions

2-Hole

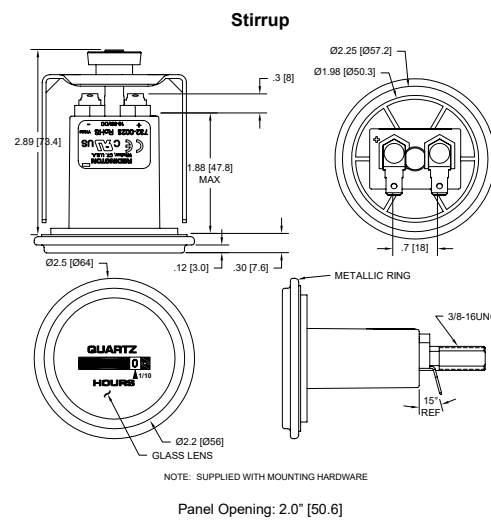
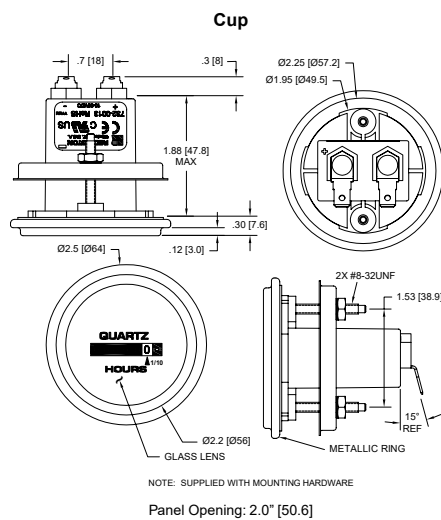
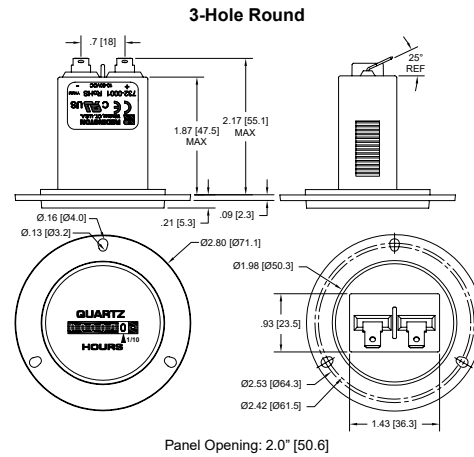
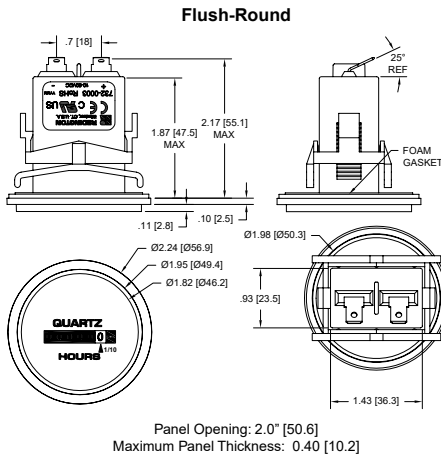


Panel Opening: 1.45" X 0.95" [36.8 X 24.1]

Flush-Rectangular



Panel Opening: 1.45" X 0.95" [36.8 X 24.1]
Maximum Panel Thickness: 0.03 to 0.63 [0.76 to 16.00]



Part Numbers

- 732-0001** 3-Hole Round, 10-80VDC, 1/4" [6.3mm] spade terminals, hours & 1/10's
- 732-0002** Flush-Rectangular, 10-80VDC, 1/4" [6.3mm] spade terminals, hours & 1/10's
- 732-0003** Flush-Round, 10-80VDC, 1/4" [6.3mm] spade terminals, hours & 1/10's
- 732-0004** 2-Hole Rectangular, 10-80VDC, 1/4" [6.3mm] spade terminals, hours & 1/10's
- 732-0013** Panel mt, Round, Cup, stainless steel bezel, 10-80VDC, 1/4" [6.3mm] spade terminals, hours & 1/10's
- 732-0023** Panel mt, Round, Stirrup, stainless steel bezel, 10-80VDC, 1/4" [6.3mm] spade terminals, hours & 1/10's
- 732-0030** Square 1.9" (48mm), 10-80VDC, 1/4" [6.3mm] spade terminals, hours & 1/10's
- 5003-008** NEMA 4X, 12 Gasket for Models 732-0003, 732-0013 & 732-0023
- 5003-009** NEMA 4X, 12 Gasket for Model 732-0002
- 5003-010** NEMA 4X, 12 Gasket for Model 732-0004
- 5003-011** NEMA 4X, 12 Gasket for Model 732-0001



X-ON Electronics

Largest Supplier of Electrical and Electronic Components

Click to view similar products for [Trumeter manufacturer](#):

Other Similar products are found below :

[APM-AMP-ANN](#) [1-0764](#) [1-0794](#) [1-2235](#) [1-CU-13](#) [1-CU-24](#) [1-CU-33](#) [1-CU-34](#) [1-CU-44](#) [2-0764](#) [2-1007](#) [2-1041-10/1-115AC](#) [2-1525-115AC](#) [2-2735](#) [2-2936](#) [2-4615](#) [21-2936-1](#) [4-0734](#) [5321-1000](#) [6-2835](#) [710-0007](#) [710-0033](#) [710-0079](#) [711-0130](#) [731-0001](#) [731-0040](#) [7500-001/230AC](#) [7500-003/24AC](#) [7510-001/230AC](#) [7510-003/12-24AC](#) [7526-001/230AC](#) [8-1526-24DC](#) [8-3704-24DC](#) [8006-001](#) [8206-001](#) [8206-002](#) [9415-004](#) [9415-006](#) [97DCNPN-DS](#) [D2-1284-115AC](#) [D2-4816-115AC](#) [D8-4816-24DC](#) [F2-3106-115AC/E115AC](#) [P2-1016](#) [P2-3106](#) [P8-1027-24DC](#) [P8-4906](#) [P9-1284-12DC](#) [PR1-1284-230AC](#) [PR2-1284](#)