

7511 Series

Self-Powered LCD Electronic Timer with Optional High Voltage Input



8-digit liquid crystal display timer, self-powered with a 10-year battery life. A compact LCD timer designed for many applications, screw terminals ensure fast wiring. Features include backlighting (external 5VDC supply required), 4 timing modes, timing direction indication and 9mm high digits. High Voltage (HV) version accepts input voltages of 5-110VDC or 10-240VAC.

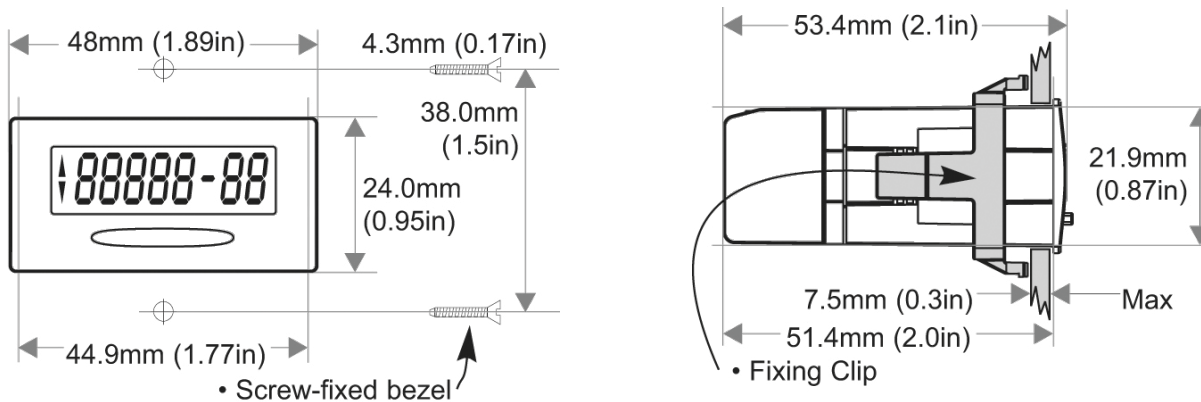
Key Features

- Use of the latest CMOS circuitry achieves an expected battery life of 10 years.
- 9mm black high contrast LCD display.
- Backlight (externally powered) 5VDC.
- Minimum contact closure time 1 second.
- Four timing modes.
- Times up or down.
- External reset input.
- Choice of mounting available - front panel with supplied bezel or rear mounting clip.
- Front panel can be sealed to IP65.
- Simplified installation- all models have screw connections on rear for quick and simple connection.
- CE,UL and cUL approved
- 7511HV permits triggering from any voltage between 10-240VAC or 5-110VDC $\pm 10\%$.

Common Specifications

Battery life	10-years typical
Display	8-digit black LCD, 9mm characters with leading zero blanking
Timing Ranges	Seconds, minutes and seconds; hours and 1/100ths and hours and minutes
Timing Input (HV Version)	Sink signal (NPN) 18VDC maximum threshold 1VDC negative edge trigger 10 – 240VAC ±10%, 5 – 110VDC ±10%, Opto-Isolated
Direction Input	Up not connected, down connected to common
Operating Temp	-10°C to +60°C [14°F to 140°F]
Storage Temp	-20°C to +70°C [-4°F to 158°F]
Material	Clear polycarbonate
Environmental Protection	IP65 / NEMA 4X
Weight	62g [2.2oz.]
Accuracy (at 25 deg C):	+/-0.002%
Temperature drift:	0.034 PPM/deg C
Aging:	< 2 PPM/year

Dimensions



Panel cutout 45mm x 22.5mm (1.771" x 0.885")

Part Numbers:

7511 - 8-digit Self-powered Totalising Timer

7511HV - 8-digit Self-powered Totalising Timer with High Voltage Input



X-ON Electronics

Largest Supplier of Electrical and Electronic Components

Click to view similar products for [Timers](#) category:

Click to view products by [Trumeter](#) manufacturer:

Other Similar products are found below :

[H5S-WFB2D](#) [304E-007-A-00-PX](#) [305E-015-A-1-0-PX](#) [THR2U-110A](#) [81506944](#) [H7AN-RT6M](#) [AC100-240](#) [711-0131](#) [1SVR508130R0000](#)
[1SVR730100R3100](#) [H3RN-2 24VDC](#) [H3Y-2 AC24 10S](#) [81503028](#) [722-0001](#) [732-0023](#) [80.01.0.240.0000T](#) [81.01.0.230.0000T](#)
[88.92.0.240.0000](#) [12.A4.8.230.0010](#) [85.03.0.024.0000](#) [80.61.0.240.0000T](#) [LTR10](#) [SL555D](#) [SA555DR-HXY](#) [NE555P-HXY](#) [LM555DGKRG](#)
[ICM7555DRG](#) [LMC555DRG](#) [LMC555DGKRG](#) [TLC555DGKRG](#) [NE556DRG](#) [TLC555DRG](#) [LM555DRG](#) [TEMS](#) [TESD415](#) [SHT-3 /230V](#)
[12.61.8.230.0000](#) [OR-PRE-446\(GS\)](#) [12.A2.8.230.0000](#) [PCM-33](#) [SHT-1 /230V](#) [88.92.0.240.0001](#) [PCM-34](#) [80.41.0.240.0000T](#)
[12.62.8.230.0000](#) [85.03.8.240.0000](#) [CRM-93H/230V](#) [PCS-516AC](#) [PCM-32](#) [12.61.0.024.0000](#) [PCS-516DC](#)