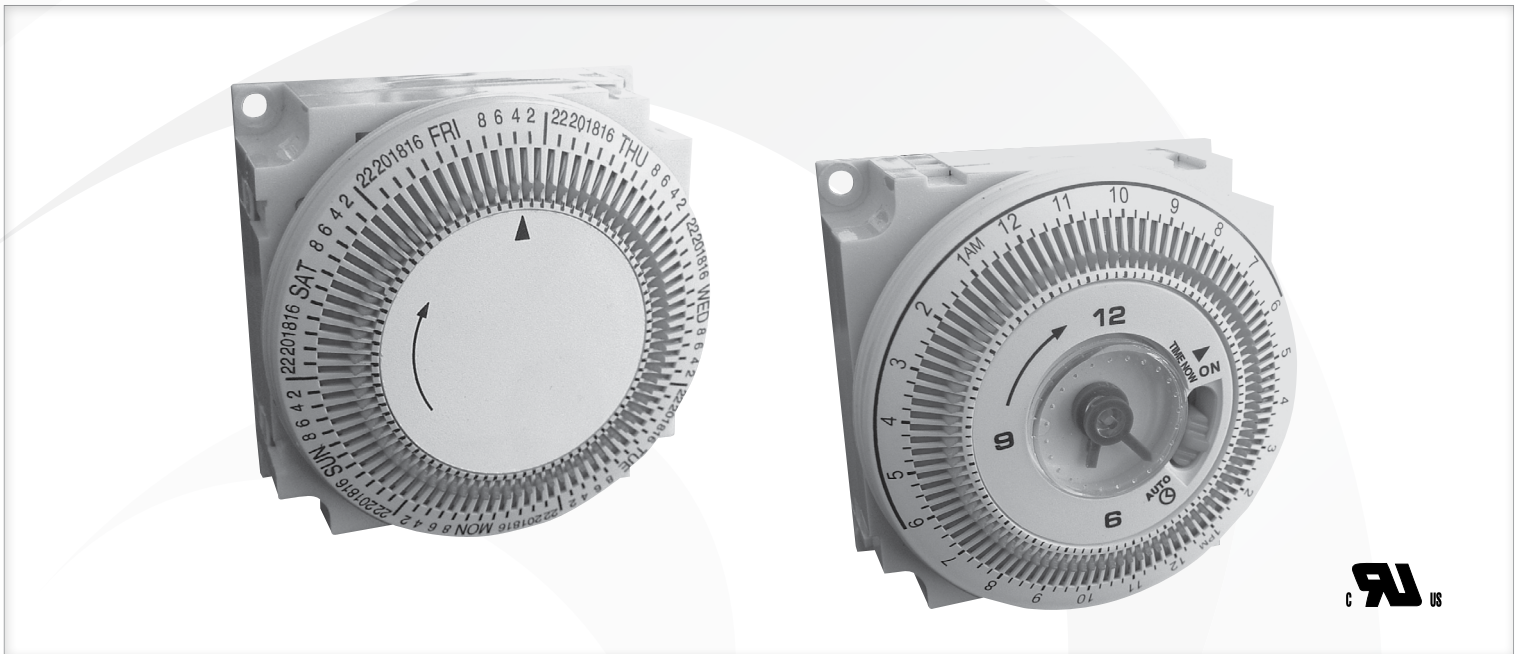


TM Series

Electromechanical Timer Modules for OEM Applications

24-Hour, 7-Day



Features

The TM series of OEM time switches are designed for control of heating, ventilating, air conditioning, refrigeration, lighting, security, circulating pumps, spas or any electrical load requiring 24-hour or 7-day scheduling. The small and contemporary design, in conjunction with the broad range of controls with identical dimensions, provides flexibility and interchangeability for any time switch requirement.

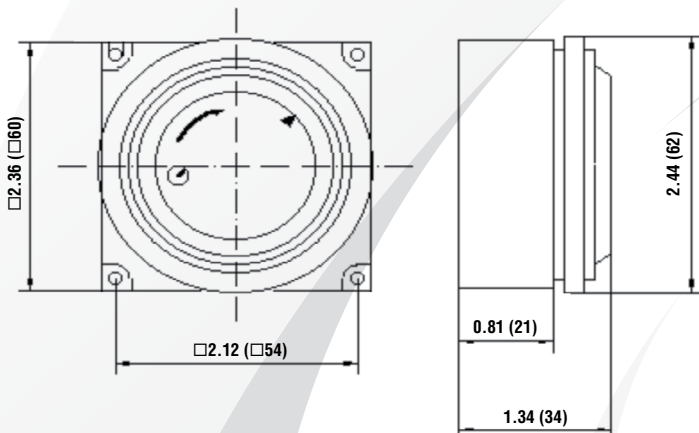
Ordering Data TM Series Specify Input Voltage	Operating Features						
	Switch Program	Reserve	Program On/Off Every	Shortest Switching Time	Switch		Manual Override
					Type	Rating	
TM1S/3*	24 hr.	No	15 min.	15 min.	SPDT	15A res.	on/off/auto
TM1Q/3*	24 hr.	36 hr.	15 min.	15 min.	SPDT	20A res.	on/off/auto
TM18Q	24 hr.	36 hr.	15 min.	15 min.	SPDT	20A res.	No

S=Synchronous Drive; Q=Quartz Drive; *Units with Authentic Clock Face

Technical Specification:

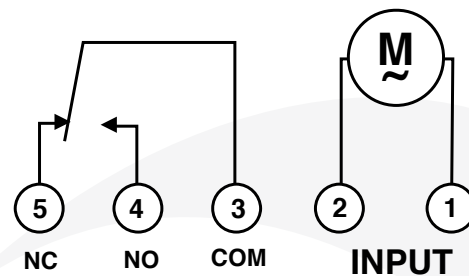
Supply Voltage:	24, 120, 240VAC
Switch Rating:	SPDT
<i>Resistive:</i>	15A or 20A
<i>Tungsten:</i>	1250W or 1500W
<i>HP@125VAC:</i>	1/2 or 1 HP
Power Consumption:	1VA
Installation:	Surface Mounting Flush Mounting with Stand-offs
Ambient Temperature Range:	-4°F to 128°F
Trippers:	Captive
Terminals:	1/4" Spade
Weight:	Approximately 3 oz.
Certification	CE, UL & cUL listed

Dimensions



Wiring Diagram

Contacts shown in "Off" position (trippers pushed inward)
"On" position (trippers pushed outward) will close contacts 3 & 4



Part Numbers

TM18Q/120VAC/50-60HZ
TM1S/3/120VAC/60HZ

Elemech TMR W/ Quartz Drive, 36 HR B/BU
Elemech TMR W/ Sync Drive, 120VAC, 60HZ

Full specifications available online www.trumeter.com



X-ON Electronics

Largest Supplier of Electrical and Electronic Components

Click to view similar products for [Timers](#) category:

Click to view products by [Trumeter](#) manufacturer:

Other Similar products are found below :

[H5S-WFB2D](#) [304E-007-A-00-PX](#) [305E-015-A-1-0-PX](#) [THR2U-110A](#) [81506944](#) [H7AN-RT6M AC100-240](#) [600DT-CU](#) [1SVR730100R3100](#)
[1SVR740040R3300](#) [H3RN-2 24VDC](#) [H3Y-2 AC24 10S](#) [81503028](#) [711-0113](#) [711-0180](#) [722-0001](#) [732-0023](#) [80.01.0.240.0000T](#)
[81.01.0.230.0000T](#) [12.A4.8.230.0010](#) [85.03.0.024.0000](#) [80.61.0.240.0000T](#) [LTR10](#) [SL555D](#) [SA555DR-HXY](#) [NE555P-HXY](#) [KG316T-D](#)
[AC220V](#) [JSZ3A-E AC220V](#) [JSZ3A-F AC220V](#) [JSS48A-2Z AC/DC24V-48V](#) [JSZ3C-B AC220V](#) [JSZ6-2 10s DC24V](#) [JSZ6-2 60s DC24V](#)
[JSZ3Y 30s AC220V](#) [JS14P 999s AC220V](#) [JS14P 99s AC220V](#) [KG10M AC220V](#) [JSZ3A-A AC220V](#) [JSZ3A-B DC24V](#) [JSS48A-2Z AC220V](#)
[JSZ6-2 10s AC220V](#) [JSZ3F 30s AC220V](#) [JZF-07 AC220V](#) [JSZ3A-B AC220V](#) [JS14P 99s AC380V](#) [JSZ3F 60s AC220V](#) [710037400000004](#)
[JSZ3A-D AC220V](#) [JSZ6-2 60s AC220V](#) [KG10D-1H AC220V](#) [JSS48A AC220V](#)