



Mil-C-5015 Types

ABBMS

VG 95234 Connector Series



A Subsidiary of TT electronics plc



AB Connectors Limited

AB Connectors

Company Profile

Operating from the principal site in South Wales, U.K., AB Connectors Limited, a subsidiary of TT electronics plc., is one of the recognised market leaders in design, test and manufacture of harsh environment interconnection systems, bespoke harness assemblies and equipment sub-units.

With a satellite assembly facility in North Carolina, USA, and a co-ordinated global sales and distribution network, AB Connectors Ltd. offers an unrivalled service to both engineers and buyers alike.

Through a commitment to a structured new product introduction process, AB Connectors is continuing investment in research and development of new materials and processes, surface treatments and the very latest manufacturing technology and techniques to ensure the products meet the most exacting standards encountered in the modern Military, Mass Transportation and Industrial market places.

Quality system approvals include BS/EN/ISO 9001 along with product approvals to BS9000, IECQ and CECC. As a result of these qualifications, AB Connectors have been awarded several major customer approvals and accreditations.

AB Connectors total commitment to providing customers with high levels of service, cost effectiveness, quality and innovation solutions in interconnection products, make it the ideal first choice supply partner.



ABBMS

Bayonet Connector

The ABBMS Bayonet Connector series is based on the MS series of connectors which conform to American Mil-C-5015 specification. Originally developed for aerospace applications, the connectors are now used extensively throughout the mass transportation, military fighting vehicle, commercial and general industrial markets.

ABBMS Bayonet Connectors are interchangeable with all corresponding MS types and feature identical panel mounting dimensions and contact arrangements. Positive coupling is indicated by an audible 'snap' and visually by the alignment of three coloured spots on the receptacle shell and the coupling nut of the free plug connector.

Protection against dust and water ingress is achieved by using a dynamic sealing under the coupling nut and by using an individual wire seal grommet in the connector back shell assembly. A wavy washer assembly, also situated in the coupling nut and a comprehensive range of back shells and accessories, ensure excellent shell-to-shell continuity and shielding characteristics between mated connectors.

Product approvals include British Standard 9522 F0032 and German standard VG95234. The connectors are also designed to meet the requirement of railway specifications TDE 77/R/42 and RSE/STD/024.

ABBMS Bayonet Connectors are supplied with aluminium parts plated with cadmium free finishes and with a choice of passivation.

Contents

Technical Information	4
Standard Contact Arrangements	5 - 8
F80 Contact Arrangements	9
Selection Chart	10
Alternative Insert Orientations	11
Connector & Accessories Compatibility	12
Part Number Explanation	13 - 14
Calculating Overall Lengths of Connectors with Accessories	15
Explanations	16
Bulkhead Receptacle	17
Square Flange Receptacles	18 - 21
Cable Mounting Receptacle	22
Arctic Grip Coupling Nut	23
Fine Knurl Coupling Nut	24
Plug - Rubberised Coupling Nut	25
Protective Caps	26
Grommet Nut & Cable Clamp Assembly	27
Grommet Nut	28
Heatshrink Adaptor	29
Solid Heatshrink Adaptor	30
RFI Shielded Adaptor	31
Screened Cable Adaptor	32
Armoured Cable Adaptor	33
Conduit Cable Adaptor	34
Multicore Cable Clamp	35
Cable Clamp	36
Cable Clamp (locking)	37
Outlets	38 - 40
Stowage Receptacle	41
Wire Seal Grommet & Bushing	42
Panel Sealing Gaskets	43
Contacts	44 - 45
F80 Contacts	46 - 47
VG95234 Contacts	48
Crimp Bucket Adaptors, Dummy Contacts & Grommet Filler Plugs	49
Tooling for Crimp Contacts	50

ABBMS

Technical Information

STANDARD DATA

Materials

SHELL: Aluminium alloy.
 INSULATOR: **ABB/ABCIR Series**
 Polychloroprene or Low Halogen.
HT ABB Series
 Fluoro-carbon (Viton).
 GROMMET: **ABB/ABCIR Series**
 polychloroprene or Low Halogen.
HT ABB Series
 Fluoro-silicone.
 CONTACTS: Copper Alloy.
 ACCESSORY HARDWARE: Aluminium alloy.

Plating Finishes

SHELL: Olive drab chromate over cadmium plate.
 CONTACTS: Hard silver over nickel or gold over nickel.
 ACCESSORY HARDWARE: Olive drab chromate over cadmium plate.
 Consult factory for alternative shell and accessory finishes.

Mechanical features

SHELL SIZE: In sixteenths of an inch.
 COUPLING: Bayonet.

Contact Arrangement			
10SL-3	#		24-V1
10SL-4	#		24-2
14S-2	#		24-7
14S-5	#		24-10
14S-6	#		24-11
14S-7	#	#	24-12
		+	24-22
16S-1	#		28-10
16-10		#	28-11
16-12			28-20
18-1	#	+	28-21
18-11			28-A63
18-12	=		
			32-1
20-2			32-3
20-3			32-6
20-8			32-7
20-A9		+	32-A13
20-15		=	32-17
20-21			32-A69
20-A48			32-T3
22-2			36-5
22-12			36-6
22-14	#	+	= 36-10
22-19			+ 36-A22
22-22			= 40-E4
22-27			+ 40-A35
			= 40-A60
= F80 Version only			
+ Standard & F80 versions			
# Current High Temperature availability			

NUMBER of WAYS: 1 - 61.
 CONTACT TERMINATION: Crimp or solder.

SEALING: Dynamic sealing ring & grommet

TECHNICAL DATA

TEMPERATURE RANGE:
 ENVIRONMENTAL RATING:
ABB/AB CIR Series
 - 55°C to + 125°C
HT ABB Series
 - 40°C to + 190°C

Contact Current Ratings			
Contact Size		Maximum Current	Rated Current
AWG	Metric		
20	10	7.5A	5A
16/16S	15/15S	22A	13A
12	25	41A	23A
8	60/100	73A	46A
4	160	135A	80A
0	500	245A	150A
0000	-	500A	300A

Voltage at sea level

- (a) Working voltage - d.c. or a.c. peak 350V to 1750V.
- (b) Proof voltage - d.c. or a.c. peak 1050V to 3000V.

Environmental Ratings






- (A) Shock severity: 75g.
- (B) Vibration: 5-500 Hz long endurance 30 hr test at 10g.
- (C) Acceleration: 50g.
- (D) Humidity severity: H6 (6 cycles acc 56 days).






Note. general assembly and wiring instructions can be obtained by contacting AB Connectors Sales Office on:

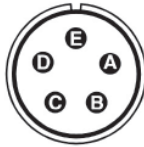
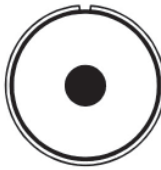
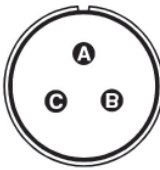
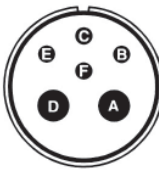
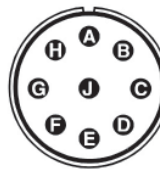
Tel: National **01443 740331**
 International **# 44 1443 740331**
 Fax: National **01443 741676**
 International **# 44 1443 741676**

ABBMS

Standard Contact Arrangements

SHELL SIZE	10SL	10SL	14S	14S	14S
					
Contact Arrangement	10SL-3	10SL-4	14S-2	14S-5	14S-6
No. of Contacts x Size AWG (Metric)	3#16S(15S)	2#16S(15S)	4#16S(15S)	5#16S(15S)	6#16S(15S)
Service Rating	A	A	INST	INST	INST

SHELL SIZE	14S	16S	16	16	18
					
Contact Arrangement	14S-7	16S-1	16-10	16-12	18-1
No. of Contacts x Size AWG (Metric)	3#16S(15S)	7#16S(15S)	3#12(25)	1#4(160)	10#16(15)
Service Rating	A	A	A	A	A & INST

SHELL SIZE	18	20	20	20	20
					
Contact Arrangement	18-11	20-2	20-3	20-8	20-A9
No. of Contacts x Size AWG (Metric)	5#12(25)	1#0(500)	3#12(25)	4#16(15) 2#8(100)	9#12(25)
Service Rating	A	D	D	INST	D & INST

ABBMS

Standard Contact Arrangements

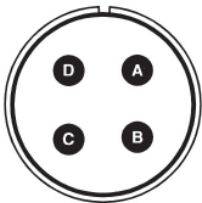
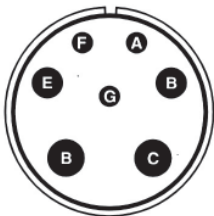

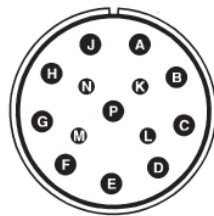
SHELL SIZE	20	20	20	22	22
Contact Arrangement	20-15	20-21	20-A48	22-2	22-12
No. Contacts x Size AWG (Metric)	7#12(25)	8#16(15) 1#12(25)	19#16(15)	3#8(100)	2#8(100) 3#16(15)
Service Rating	A	A	INST	D	D



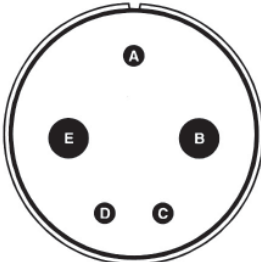
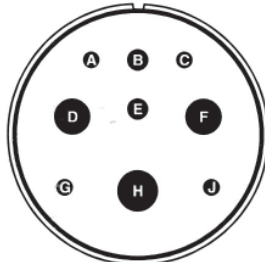
SHELL SIZE	22	22	22	22	24
Contact Arrangement	22-14	22-19	22-22	22-27	24-V1
No. of Contacts x Size AWG (Metric)	19#16(15)	14#16(15)	4#8(100)	1#8(60) 8#16(15)	1#0000
Service Rating	A	A	A	A & D	A

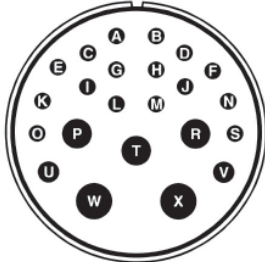
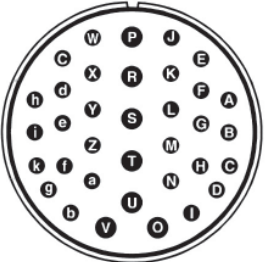
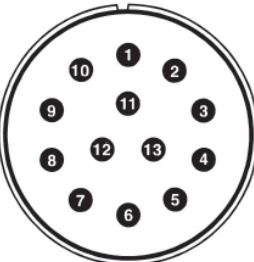
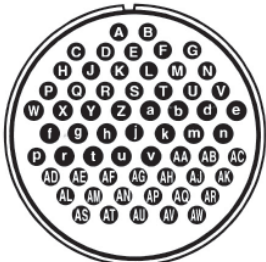
SHELL SIZE	24	24	24	24	24
Contact Arrangement	24-2	24-7	24-10	24-11	24-12
No. of Contacts x Size AWG (Metric)	7#12(25)	14#16(15) 2#12(25)	7#8(100)	6#12(25) 3#8(100)	3#12(25) 2#4(160)
Service Rating	D	A	A	A	A

ABBMS

Standard Contact Arrangements

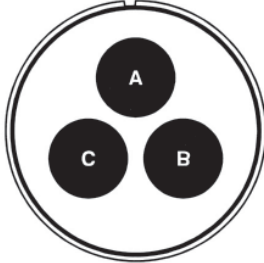
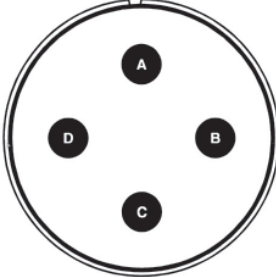
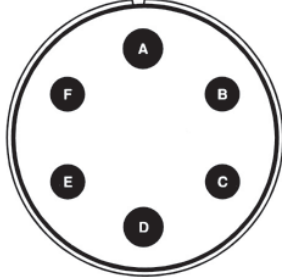
SHELL SIZE	24	28	28	28
				
Contact Arrangement	24-22	28-10	28-11	28-20
No. of Contacts x Size AWG (Metric)	4#8(100)	3#12(25) 2#8(100) 2#4(160)	18#16(15) 4#12(25)	4#16(115) 10#12(25)
Service Rating	D	A & D	A	A

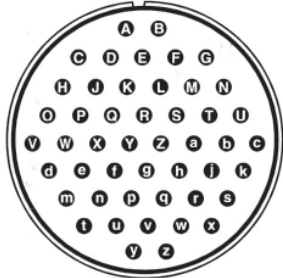
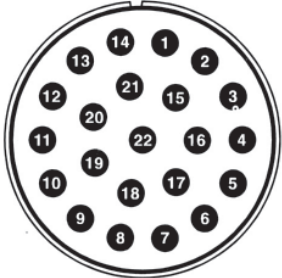
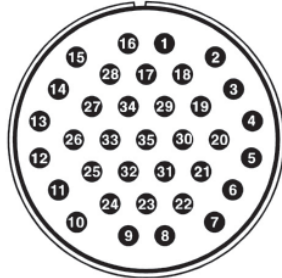
SHELL SIZE	28	28	32	32
				
Contact Arrangement	28-21	28-A63	32-1	32-3
No. of Contacts x Size AWG (Metric)	37#16(15)	19#16(15) 9#12(25)	3#12(25) 2#0(500)	4#16(15) 2#12(25) 2#4(160)1#0(500)
Service Rating	A	A & INST	E & D	D

SHELL SIZE	32	32	32	32
				
Contact Arrangement	32-6	32-7	32-A13	32-A69
No. of Contacts x Size AWG (Metric)	16#16(15)2#12(25) 3#8(60)2#4(160)	28#16(15) 7#12(25)	13#12(25)	41#20(10) 20#16(15)
Service Rating	A	A & INST	D	INST

ABBMS

Standard Contact Arrangements



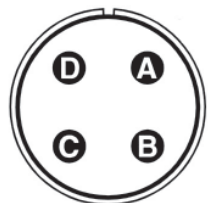

SHELL SIZE	32	36	36
			
Contact Arrangement	32-T3	36-5	36-6
No. Contacts x Size AWG (Metric)	3#Triax For Raychem EPD 47471	4#0(500)	2#0(500) 4#4(160)
Service Rating	INST	A	A

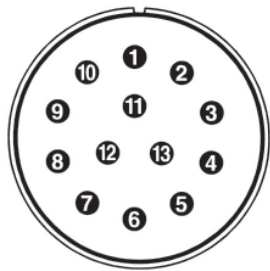
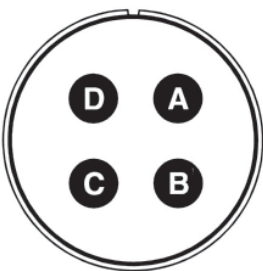

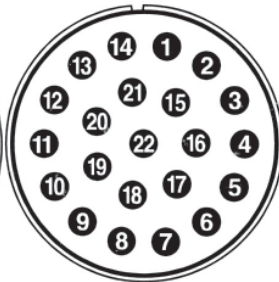
SHELL SIZE	36	36	40
			
Contact Arrangement	36-10	36-A22	40-A35
No. of Contacts x Size AWG (Metric)	48#16(15)	22#12(25)	35#12(25)
Service Rating	A	D	D

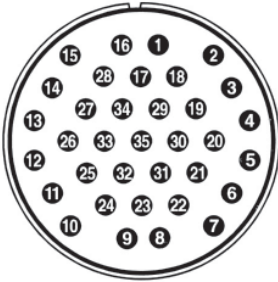
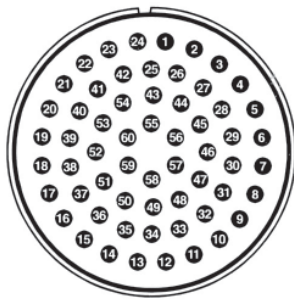
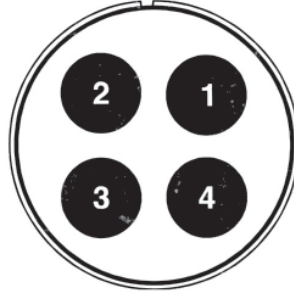


ABBMS

F80 Contact Arrangements

SHELL SIZE	18	22	24	28
				
Contact Arrangement	18-12	22-14	24-22	28-21
No. of Contacts x Size AWG (Metric)	6#16(15)	19#16(15)	4#8(100)	37#16(15)
Service Rating	A	A	D	A

SHELL SIZE	32	32	36	36
				
Contact Arrangement	32-A13	32-17	36-10	36-A22
No. of Contacts x 13#12(25) Size AWG (Metric)	13#12(25)	4#4(160)	48#16(15)	22#12(25)
Service Rating	D	D	A	D

SHELL SIZE	40	40	40
			
Contact Arrangement	40-A35	40-A60	40-E4
No. of Contacts x Size AWG (Metric)	35#12(25)	60#16(15)	4#0(500)
Service Rating	D	A	E

ABBMS

Selection Chart

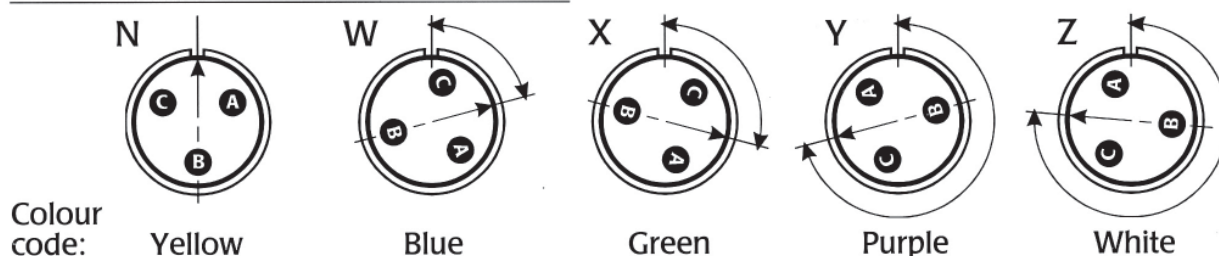
SHELL SIZE	CONTACT ARRANGEMENT	NO. OF CONTACTS	CONTACT SIZE (AWG/METRIC) & CURRENT RATING (DERATED) (Amps) - at 85°C ambient							SHELL ORIENTATION	SERVICE RATING
			20 (10)	16/16S (15/15S)	12 (25)	8 (60/100)	4 (160)	0 (500)	0000		
10SL 10SL	3 4	3 2		3 x 10A 2 x 10A						N N	A A
14S 14S 14S 14S	2 5 6 7	4 5 6 3		4 x 10A 5 x 10A 6 x 10A 3 x 10A						NX NX N NWXY	Inst Inst Inst A
16S 16 16	1 10 12	7 3 1		7 x 10A	3 x 20A				1 x 75A	NWZ NWXY N	A A A
18 18 18	1 11 12	10 5 6		10 x 10A 6 x 10A	5 x 20A					NWXYZ NX NWZ	* A & Inst A A
20 20 20 20 20 20 20	2 3 8 A9 15 21 A48	1 3 6 9 7 9 19		4 x 10A 8 x 10A 19 x 10A	3 x 20A 9 x 20A 7 x 20A 1 x 20A	2 x 42A			1 x 135A	N NWXYZ NWXYZ NX NWZ NWXYZ NX	D D Inst * D & Inst A A Inst
22 22 22 22 22 22	2 12 14 19 22 27	3 5 19 14 4 9		3 x 10A 19 x 10A 14 x 10A 8 x 10A		3 x 42A 2 x 42A 4 x 42A 1 x 42A				NWXYZ NWXYZ NWXYZ NWXYZ NX NWYZ	D D A A A * A & D
24 24 24 24 24 24	V1 2 7 10 11 12 22	1 7 16 7 9 5 4		14 x 10A	7 x 20A 2 x 20A 6 x 20A 3 x 20A	7 x 42A 3 x 42A 4 x 42A			2 x 75A	1 x 300A N NWZ NWXYZ NWZ NWXYZ NWXYZ NWXY	A D A A A A D
28 28 28 28 28	10 11 20 21 A63	7 22 14 37 28		18 x 10A 4 x 10A 37 x 10A 19 x 10A	3 x 20A 4 x 20A 10 x 20A 9 x 20A	2 x 42A	2 x 75A			NWXYZ NWXYZ NWXYZ NWXYZ NX	* A & D A A A * A & Inst
32 32 32 32 32 32 32 32	1 3 6 7 17 A13 A69 T3	5 9 23 35 4 13 61 3		4 x 10A 16 x 10A 28 x 10A 20 x 10A	3 x 20A 2 x 20A 7 x 20A 13 x 20A	3 x 42A	2 x 75A 2 x 75A 4 x 75A	2 x 135A 1 x 135A		NWXYZ NWXYZ NWXYZ NWXYZ NWXY NWXYZ NX N	* E & D D A * A & Inst D D Inst Inst
36 36 36 36	5 6 10 A22	4 6 48 22		48 x 10A	22 x 20A		4 x 75A	4 x 135A 2 x 135A		NX NWXYZ NWXYZ NWXYZ	A A A D
40 40 40	A35 A60 E4	35 60 4		60 x 10A	35 x 20A			4 x 135A		NWXYZ NWXYZ NWXYZ	D A E

SERVICE RATING	SEA LEVEL 1013 mbar				8,500m (27,800 ft) 300 mbar				* Contact arrangements/service ratings		
	Inst	A	D	E	Inst	A	D	E	18-1 Contacts B, C, F, G	= A Balance	= Inst
WORKING VOLTAGE DC or AC peak	350	700	1250	1750	100	200	350	500	20-A9 Contacts J	= D Balance	= Inst
VOLTAGE PROOF DC or AC peak	1050	2100	3000	3000	300	600	900	900	22-27 Contacts J	= D Balance	= A
									28-10 Contacts G	= D Balance	= A
									28-A63 Contacts E	= A Balance	= Inst
								32-1 Contacts A	= E Balance	= D	
								32-7 Contacts A, B, H & J	= Inst Balance	= A	

ABBMS

Alternative Insert Orientations

View on Mating Face of Pin Inserts



Colour code: Yellow Blue Green Purple White

CONTACT ARRANGEMENT	ANGULAR DISPLACEMENT OF INSERT			
	W	X	Y	Z
10SL-3	-	-	-	-
10SL-4	-	-	-	-
14S-2	-	120	240	-
14S-5	-	110	-	-
14S-6	-	-	-	-
14S-7	90	180	270	-
16S-1	80	-	-	280
16-10	90	180	270	-
16-12	-	-	-	-
18-1	70	145	215	290
18-11	-	170	265	-
18-12	80	-	-	280
20-2	-	-	-	-
20-3	70	145	215	290
20-8	80	110	250	280
20-A9	-	110	250	-
20-15	80	-	-	280
20-21	35	110	250	325
20-A48	-	80	280	-
22-2	70	145	215	290
22-12	80	110	250	280
22-14	80	110	250	280
22-19	80	110	250	280
22-22	-	110	250	-
22-27	80	-	-	280
24-V1	-	-	-	-
24-2	80	-	-	280
24-7	80	110	250	280
24-10	80	-	-	280
24-11	35	110	250	325
24-12	80	110	250	280
24-22	45	110	250	-
28-10	80	110	250	280
28-11	80	110	250	280
28-20	80	110	250	280
28-21	80	110	250	280
28-A63	-	100	260	-
32-1	80	110	250	280
32-3	80	110	250	280
32-6	80	110	250	280
32-7	80	125	235	280
32-17	45	110	250	-
32-A13	65	130	230	295
32-A69	-	110	250	-
32-T3	-	-	-	-
36-5	-	120	240	-
36-6	35	110	250	325
36-10	80	125	235	280
36-A22	80	110	250	280
40-A35	70	130	230	290
40-A60	80	110	250	280
40-E4	45	110	-	-

ABBMS

Connector and Accessories Compatibility

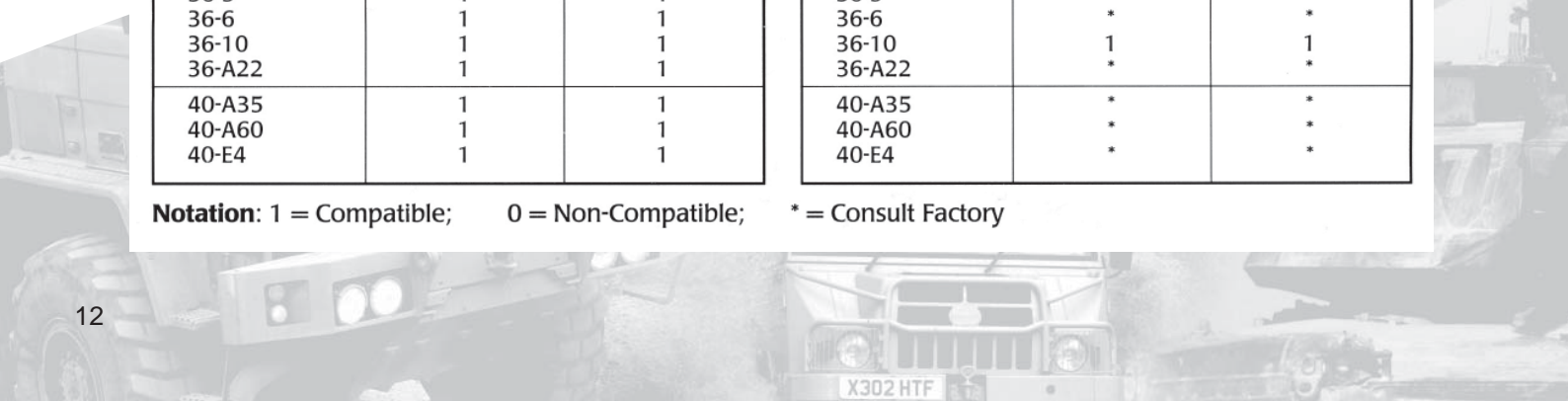
Note. ABB/ABCIR grommets available in polychloroprene or low halogen material.

Compatibility of ABB (121B/VG) - BS 9522 F0032 Grommets/ Accessories		
Contact Arrangement	Solder	Crimp
10SL-3	1	1
10SL-4	1	1
14S-2	1	1
14S-5	1	1
14S-6	1	1
14S-7	1	1
16S-1	1	1
16-10	1	1
16-12	1	1
18-1	1	1
18-11	1	1
18-12	1	1
20-2	1	1
20-3	1	1
20-8	1	1
20-A9	1	1
20-15	1	1
20-21	1	1
20-A48	1	1
22-2	1	1
22-12	1	1
22-14	1	1
22-19	1	1
22-22	1	1
22-27	1	1
24-2	1	1
24-7	1	1
24-10	1	1
24-11	1	1
24-12	1	1
24-22	1	1
24-V1	*	*
28-10	1	1
28-11	1	1
28-20	1	1
28-21	1	1
28-A63	1	1
32-1	1	1
32-3	1	1
32-6	1	1
32-7	1	1
32-17	1	1
32-A13	1	1
32-A69	1	1
32-T3	*	*
36-5	1	1
36-6	1	1
36-10	1	1
36-A22	1	1
40-A35	1	1
40-A60	1	1
40-E4	1	1

Note. Consult factory for availability of MSE grommets in low halogen material.

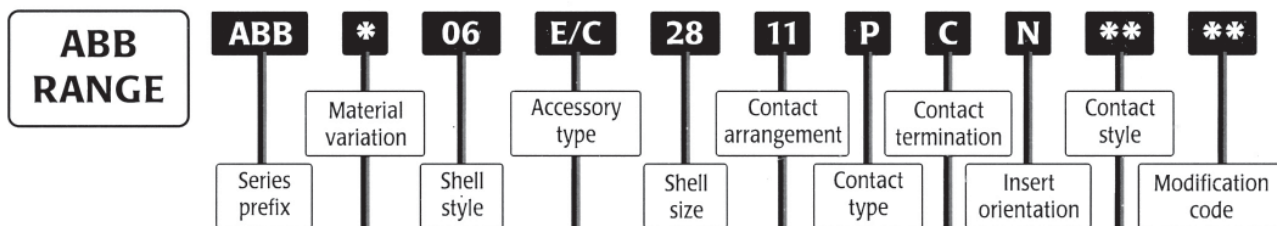
Compatibility of SBMS - BS 9522 F0030 Grommets/ Accessories		
Contact Arrangement	Solder	Crimp
10SL-3	1	1
10SL-4	1	1
14S-2	1	1
14S-5	1	1
14S-6	1	1
14S-7	1	1
16S-1	1	1
16-10	1	0
16-12	*	*
18-1	1	1
18-11	1	0
18-12	*	*
20-2	1	1
20-3	*	*
20-8	*	*
20-A9	*	*
20-15	1	0
20-21	*	*
20-A48	1	1
22-2	1	0
22-12	*	*
22-14	1	1
22-19	1	1
22-22	1	0
22-27	*	*
24-2	1	1
24-7	1	0
24-10	*	*
24-11	1	0
24-12	1	0
24-22	*	*
24-V1	*	*
28-10	1	0
28-11	1	0
28-20	*	*
28-21	1	1
28-A63	*	*
32-1	1	1
32-3	*	*
32-6	1	0
32-7	1	0
32-17	*	*
32-A13	*	*
32-A69	*	*
32-T3	*	*
36-5	*	*
36-6	*	*
36-10	1	1
36-A22	*	*
40-A35	*	*
40-A60	*	*
40-E4	*	*

Notation: 1 = Compatible; 0 = Non-Compatible; * = Consult Factory



ABBMS

Part Number Explanation



Series prefix: **ABB** - Approved to BS9522 F0032 & VG95234

HTABB - High temp. ABB (- 40° - C + 190° C).

Material variation: **H** - Halogen Free material, leave blank for standard material.

- Shell style:**
- 00** - Square Flange receptacle Front panel mounting.
 - 01** - Cable mounted receptacle.
 - 03** - Square Flange receptacle rear panel mounting.
 - 06** - Plug with arctic grip coupling nut and RFI grounding.
 - NS06** - Plug with arctic grip coupling nut. No RFI grounding.
 - E06** - Plug with fine knurl grip coupling nut. No RFI grounding.
 - SE06** - Plug with fine knurl grip coupling nut and RFI grounding.

07 - Bulkhead receptacles.

08 - Plugs with 90° angled outlet.

NS08
E08
SE08 } Coupling nut types and RFI grounding as per 06 version above.

Accessory type: For various accessories see page 12.

Shell size: **10SL** to **40** (in sixteenths of an inch)

Contact arrangement: See pages 3 - 7.

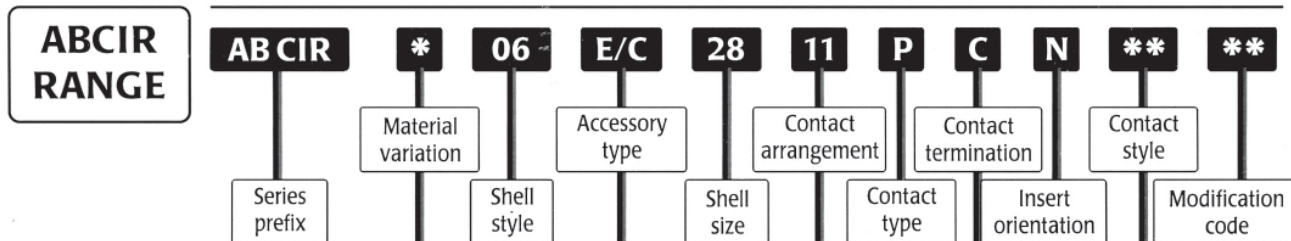
Contact types: **P** pin, **S** socket, **H** Bulkhead (07) receptacle only.

Contact termination: **S** solder, non-removable, **C** Crimp, removable.

Insert orientation: **N** normal, **W,X,Y,Z** alternative insert positions. See page 9.

Contact style: **F 80** F80 style contacts, leave blank for standard VG95234 style contacts.

Modification code: Please consult Factory.



Series prefix: ABCIR

Material Variation: **H** - Halogen Free material, leave blank for standard material

- Shell style:**
- 00** - Square Flange receptacle Front panel mounting.
 - 01** - Cable mounted receptacle.
 - 03** - Square Flange receptacle rear panel mounting.
 - P06** - Plug with rubberised coupling nut. No RFI grounding.
 - 06** - Plug with fine knurl grip coupling nut. No RFI grounding.
 - SE06** - Plug with Fine knurl grip coupling nut and RFI grounding.
 - 07** - Bulkhead receptacles.
 - 08** - Plugs with 90° angled outlet.
 - SE08** } Coupling nut types and RFI grounding as per 06 version above.

Accessory type: For various accessories see page 12.

Shell size: **10SL** to **40** (in sixteenths of an inch).

Contact arrangement: See pages 3 - 7.

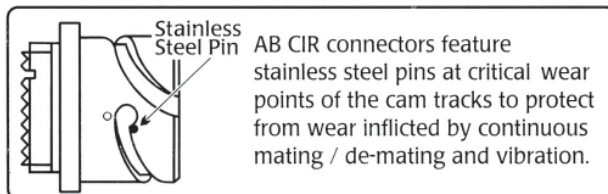
Contact type: **P** pin, **S** socket, **H** Bulkhead (07) receptacle only.

Contact termination: **S** Solder, non removable **C** Crimp, removable.

Insert Orientation: **N** normal, **W,X,Y,Z** alternative insert positions. See page 9.

Contact style: **F 80** F80 style contacts, leave blank for standard VG95234 style contacts.

Modification code: Please consult Factory.



ABBMS

Part Number Explanation - Accessory Types

The following accessory types can be used with both ABB & ABCIR Ranges.

ACCESSORY TYPE:

A	- No rear threads and no accommodation for accessories. Shell styles 00 & 03.	G	- Heat shrink adaptor. BS9522 F0032/VG95234 approved.
D	- Straight cable Clamp. BS9522 F0032/VG95234 approved.	GG	- Non-locking conduit reducing adaptor with grommet and follower.
E	- 5MS Plain grommet, grommet nut and follower. BS9522 F0030 approved.	GM	- Locking RFI shielded adaptor with grommet. For banded screening system.
E/V	- Grommet, grommet nut and follower. BS9522 F0032/VG95234 approved.	GS	- Non-locking heat shrink adaptor with grommet and follower.
E/C	- 5MS Cable Clamp, grommet and follower. BS9522 F0030 approved.	H	- Conduit termination adaptor. BS9522 F0032/VG95234 approved.
E/A	- 5MS 90° Outlet with grommet nut and grommets. BS9522 F0030 approved.	H/C	- Locking Cable Clamp. BS9522 F0032/VG95234 approved.
E/AC	- 5MS 90° Outlet with 5MS Cable Clamp and grommets. BS9522 F0030 approved.	JE	- Non-locking conduit adaptor with 3057A cable clamp, grommet and Follower.
E/AT	- 5MS 90° Outlet with rear end threads for accessory accommodation. BS9522 F0030 approved.	M	- Adaptor for termination of shielding braids. BS9522 F0032/VG95234 approved.
E/MC	- 5MS Multicore Cable Clamp with grommet and follower. BS9522 F0030 approved.	LM	- Adaptor for termination of shielding braids. VG95234 approved. R2 Style.
F	- 90° Angled outlet with cable clamp. BS9522 F0032/VG95234 approved.	R	- Non-locking conduit adaptor with grommet and Follower.
FT	- 90° Angled outlet with rear end threads for conduit termination. BS9522 F0032/VG95234 approved.	RM	- Non-locking conduit adaptor with braid screen trap.
FM	- 90° Outlet RFI Shielded Accessory Type FM.	SM	- Adaptor for termination of shielding braids. VG95234 approved. R1 Style.
		T	- Rear threads for accessory accommodation.

ABBMS

Calculating Overall Lengths of Connector with Accessories

Connectors with straight outlets

Overall length = connector length + accessory length - accessory overlap.

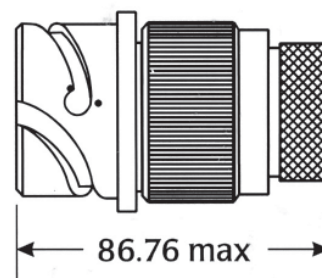
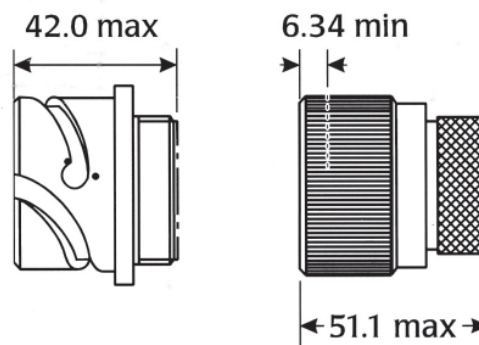
Typical example:-

ABCIR - 03T - 2811 - PCN - P3 plus
ABB - 28 - 11 - HSAS.

New part no:-

ABCIR - 03GM - 2811 - PCN - P3.

Max overall length = 42.00 max +
51.1 max - 6.34 min = 86.76 max.



Connectors with 90° Angled Outlets

Overall length = connector length + (length to outlet ctr + 1/2 Thread dia) - overlap.

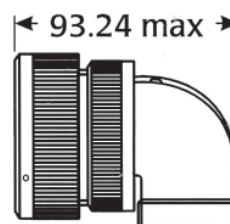
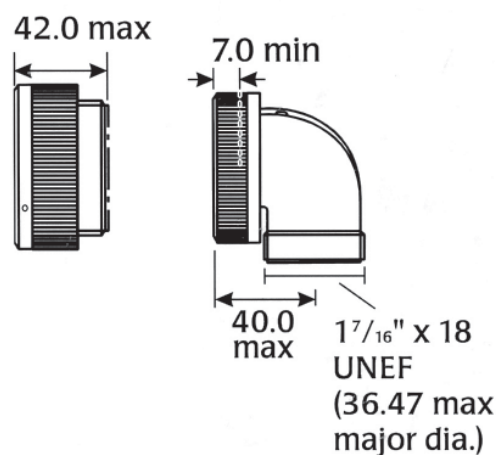
Typical example:-

ABCIRSE - 06T - 2811 - SCN - P3 plus
ABB - 2811 - FT.

New part no:-

ABCIRSE - 08FT - 2811 - SCN - P3.

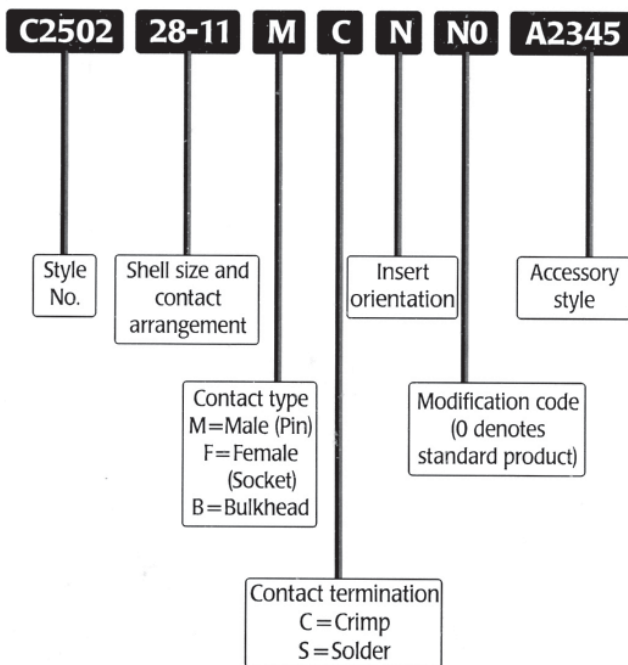
Max overall length = 42.0 max +
40.0 max + 18.24 max - 7.0 min =
93.24 max.



ABBMS

Explanations

BS Part No. Explanation



VG Part No. Explanation

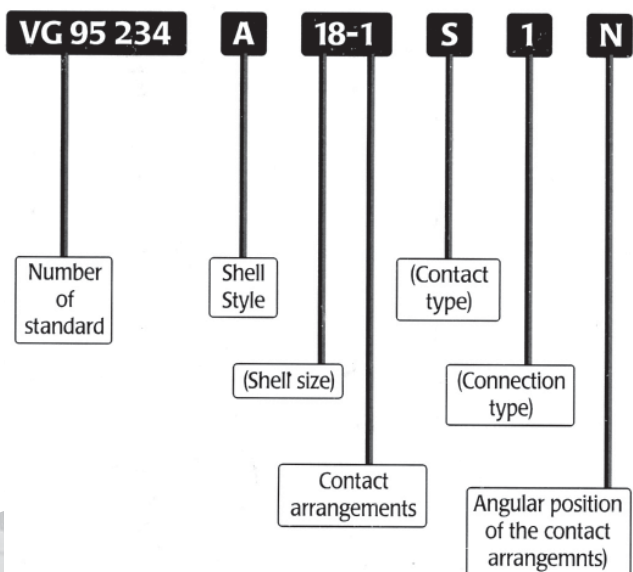


ABB MS Bayonet connectors cross reference table

AB connector style	BS9522 F0032 style	VG 95234 style	AB connector style	BS9522 F0032 style	VG 95234 style
ABB00A		A	ABB03G.M6		U1
ABB00A.M6			ABB03H	C2510	
ABB00T	C2503		ABB03H.M6	C2512	
ABB00T.M6	C2504		ABB03H/C	C2510+A2521	
ABB00E	C2503+A2344		ABB03H/C.M6	C2512+A2521	
ABB00E.M6	C2504+A2344		ABB03M	C2514	N2
ABB00E/C	C2503+A2345		ABB03M.M6	C2516	N1
ABB00E/C.M6	C2504+A2345		ABB03F		
ABB00E/MC	C2503+A2346		ABB03F.M6		
ABB00E/MC.M6	C2504+A2346		ABB03FT		
ABB00E/A	C2503+A2357		ABB03FT.M6		
ABB00E/A.M6	C2504+A2357		ABB07	C2507	C2
ABB00E/AT	C2503+A2348		ABB07.M6	C2508	C1
ABB00E/AT.M6	C2504+A2348		ABB06T	C2502	
ABB00E/AC	C2503+A2358		ABBNS06T	C2501	
ABB00E/AC.M6	C2504+A2358		ABB06E	C2502+A2344	
ABB00D	C2503+A2527		ABBNS06E	C2501+A2344	
ABB00D.M6	C2504+A2527		ABB06E/C	C2502+A2345	
ABB00G	C2503+A2525		ABBNS06E/C	C2501+A2345	
ABB00G.M6	C2504+A2525		ABB06E/MC	C2502+A2346	
ABB00H	C2503+A2524		ABBNS06E/MC	C2501+A2346	
ABB00H.M6	C2504+A2524		ABB08E	C2502+A2357	
ABB00H/C	C2503+A2760		ABBNS08E	C2501+A2357	
ABB00H/C.M6	C2504+A2760		ABB08T	C2502+A2348	
ABB00M	C2503+A2526		ABBNS08T	C2501+A2348	
ABB00M.M6	C2504+A2526		ABB08E/C	C2502+A2358	
ABB00F	C2503+A2523		ABBNS08E/C	C2501+A2358	
ABB00F.M6	C2504+A2523		ABB06D	C2502+A2527	
ABB00FT	C2503+A2522		ABBNS06D	C2501+A2527	
ABB00FT.M6	C2504+A2522		ABB06G	C2502+A2525	
ABB001T	C2509		ABBNS06G	C2501+A2525	
ABB001E	C2509+A2344		ABB06H	C2502+A2524	
ABB001E/C	C2509+A2345		ABBNS06H	C2501+A2524	
ABB001E/MC	C2509+A2346		ABB06H/C	C2502+A2760	
ABB01D	C2509+A2527	F	ABBNS06H/C	C2501+A2760	
ABB01G	C2509+A2525		ABB06M	C2502+A2526	
ABB01H	C2509+A2524		ABBNS06M	C2501+A2526	
ABB01H/C	C2509+A2760		ABB08F	C2502+A2523	
ABB01M	C2509+A2526		ABBNS08F	C2501+A2523	
ABB03A	C2758	B2	ABB08FT	C2502+A2522	
ABB03A.M6	C2759	B1	ABBNS08FT	C2501+A2522	
ABB03T			ABBE06T	C2528	
ABB03T.M6			ABBSE06T	C2529	
ABB03E			ABBE06D	C2528+A2527	D
ABB03E.M6			ABBSE06D	C2529+A2527	
ABB03E/C			ABBE06G	C2528+A2525	G
ABB03E/C.M6			ABBSE06G	C2529+A2525	T
ABB03E/MC			ABBE06H	C2528+A2524	H
ABB03E/MC.M6			ABBSE06H	C2529+A2524	L
ABB03E/A			ABB06H/C	C2528+A2760	
ABB03E/A.M6			ABBSE06H/C	C2529+A2760	
ABB03E/AT			ABBE06M	C2528+A2526	
ABB03E/AT.M6			ABBSE06M	C2529+A2526	M
ABB03E/AC			ABBE08F	C2528+A2523	E
ABB03E/AC.M6			ABBSE08F	C2529+A2523	
ABB03D		J2	ABBE08FT	C2528+A2522	E1
ABB03D.M6		J1	ABBSE08FT	C2529+A2522	K
ABB03G		U2			

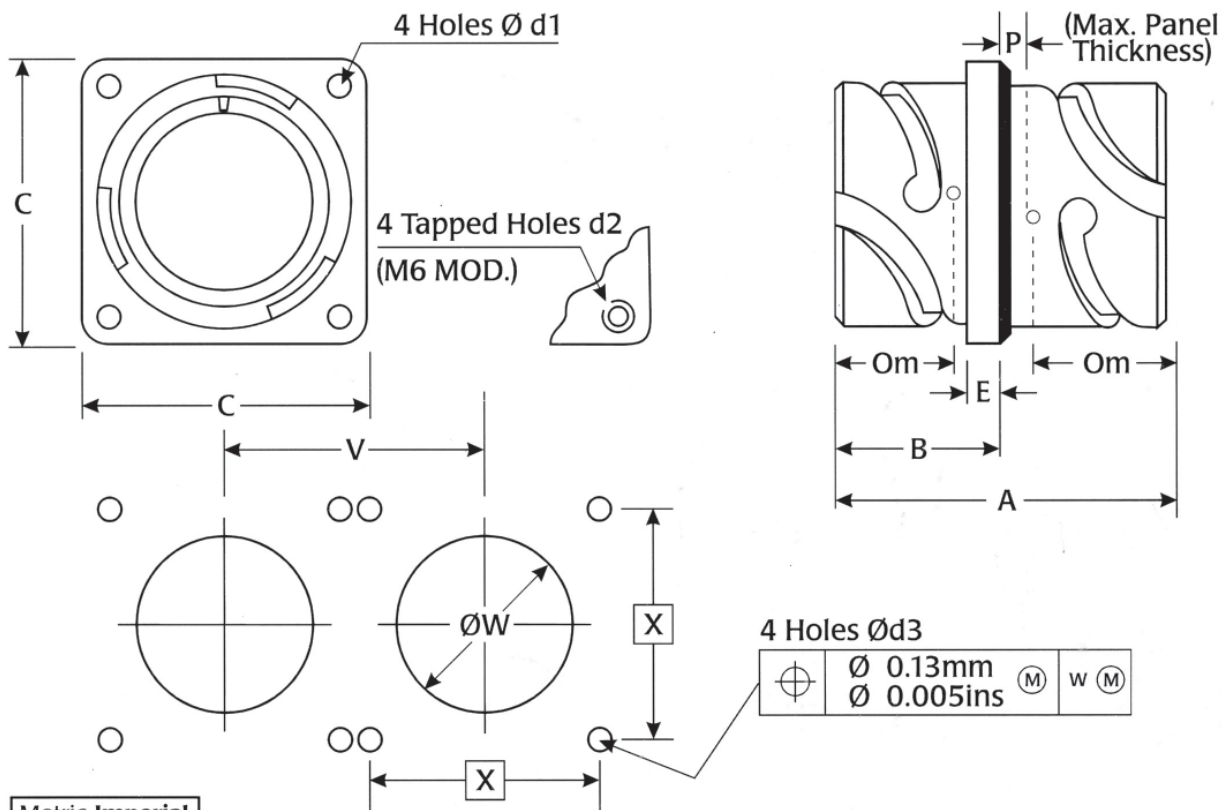
ABBMS

Bulkhead Receptacle -

Styles: ABB07/ABB07...M6,
ABCIR07/ABCIR07...M6,

BS Styles: C2507/C2508

VG Styles: C2/C1



Metric Imperial

Shell size	A max	B max	C max	Ød1 <small>+0.2-0 +0.008-0</small>	d2 Thread	E max	P	Om min overlap mated	Ød3 H13	V	W	X
10 SL	38.2 1.504	17.6 0.693	25.7 1.012	3.2 0.126	M4	3.0 0.118	3.3 0.130	11.1 0.437	3.4 0.134	26.6 1.047	18.58 0.732	18.2 0.717
14 S	38.2 1.504	18.0 0.709	30.3 1.193	3.2 0.126	M4	3.4 0.134	3.3 0.130	11.1 0.437	3.4 0.134	31.6 1.244	24.98 0.984	23.0 0.906
16 S	38.2 1.504	18.0 0.709	32.8 1.291	3.2 0.126	M4	3.4 0.134	3.3 0.130	11.1 0.437	3.4 0.134	34.4 1.354	27.78 1.094	24.6 0.969
16	52.1 2.051	22.8 0.898	32.8 1.291	3.2 0.126	M4	3.4 0.134	3.3 0.130	15.85 0.624	3.4 0.134	34.4 1.354	27.78 1.094	24.6 0.969
18	52.1 2.051	23.6 0.929	35.3 1.390	3.2 0.126	M4	4.2 0.165	3.3 0.130	15.85 0.624	3.4 0.134	38.3 1.508	31.18 1.228	27.0 1.063
20	52.1 2.051	23.6 0.929	38.3 1.508	3.2 0.126	M4	4.2 0.165	3.3 0.130	15.85 0.624	3.4 0.134	41.7 1.642	34.58 1.361	29.4 1.157
22	52.1 2.051	23.6 0.929	41.3 1.626	3.2 0.126	M4	4.2 0.165	3.3 0.130	15.75 0.620	3.4 0.134	45.2 1.780	37.78 1.487	31.8 1.252
24	52.1 2.051	25.2 0.992	44.8 1.764	3.7 0.146	M4	4.2 0.165	3.3 0.130	15.75 0.620	3.9 0.154	48.7 1.917	41.28 1.625	34.9 1.374
28	52.1 2.051	25.2 0.992	51.1 2.012	3.7 0.146	M5	4.2 0.165	3.3 0.130	15.75 0.620	3.9 0.154	55.5 2.185	47.08 1.854	39.7 1.563
32	52.1 2.051	26.8 1.055	57.3 2.256	4.3 0.169	M5	4.2 0.165	3.3 0.130	15.75 0.620	4.5 0.177	62.4 2.457	53.78 2.117	44.5 1.752
36	52.1 2.051	26.8 1.055	63.8 2.512	4.3 0.169	M5	4.2 0.165	3.3 0.130	15.75 0.620	4.5 0.177	69.0 2.717	59.98 2.361	49.2 1.937
40	52.1 2.051	26.8 1.055	70.2 2.764	4.3 0.169	M5	4.2 0.165	3.3 0.130	15.75 0.620	4.5 0.177	75.0 2.953	66.68 2.630	55.5 2.185

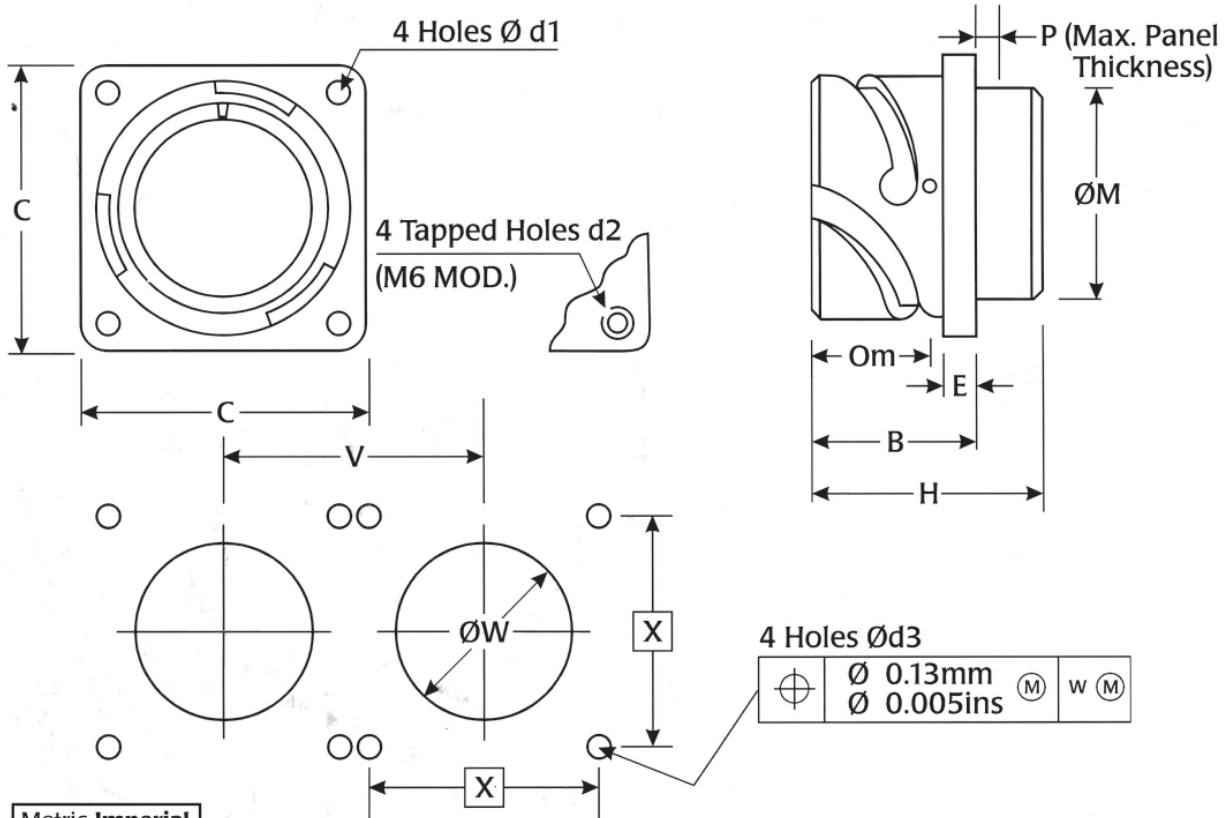
ABBMS

Square Flange Receptacle - Front Mounting (without accessory thread).

Styles: ABB00A/ABB00A...M6

ABCIR00A/ABCIR00A...M6,

VG Style: A



Metric Imperial

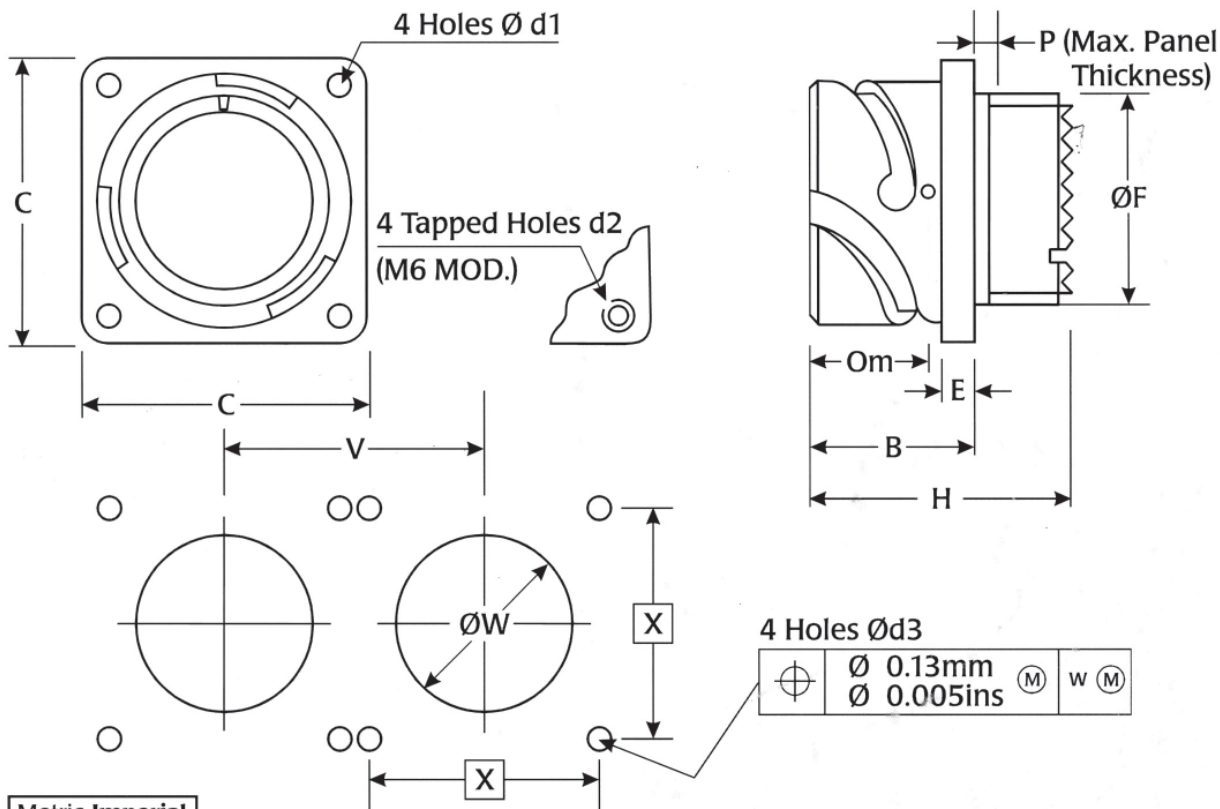
Shell size	B max	C max	Ød1 +0.2-0 +0.008-0	d2 Thread	E max	ØM max	H max	P	Om min overlap mated	Ød3 H13	V	W	X
10 SL	17.6 0.693	25.7 1.012	3.2 0.126	M4	3.0 0.118	16.1 0.634	24.7 0.972	3.3 0.130	11.1 0.437	3.4 0.134	26.6 1.047	17.0 0.669	18.2 0.717
14 S	18.0 0.709	30.3 1.193	3.2 0.126	M4	3.4 0.134	19.2 0.756	24.7 0.972	3.3 0.130	11.1 0.437	3.4 0.134	31.6 1.244	20.0 0.787	23.0 0.909
16 S	18.0 0.709	32.8 1.291	3.2 0.126	M4	3.4 0.134	22.4 0.882	24.7 0.972	3.3 0.130	11.1 0.437	3.4 0.134	34.4 1.354	23.0 0.906	24.6 0.969
16	22.8 0.898	32.8 1.291	3.2 0.126	M4	3.4 0.134	22.4 0.882	33.8 1.331	3.3 0.130	15.85 0.624	3.4 0.134	34.4 1.354	23.0 0.906	24.6 0.969
18	23.6 0.929	35.3 1.390	3.2 0.126	M4	4.2 0.165	25.6 1.008	33.8 1.331	3.3 0.130	15.85 0.624	3.4 0.134	38.3 1.508	26.0 1.024	27.0 1.063
20	23.6 0.929	38.3 1.508	3.2 0.126	M4	4.2 0.165	29.0 1.142	33.8 1.331	3.3 0.130	15.85 0.624	3.4 0.134	41.7 1.642	30.0 1.181	29.4 1.157
22	23.6 0.929	41.3 1.626	3.2 0.126	M4	4.2 0.165	31.92 1.257	33.8 1.331	3.3 0.130	15.75 0.620	3.4 0.134	45.2 1.780	33.0 1.299	31.8 1.252
24	25.2 0.992	44.8 1.764	3.7 0.146	M4	4.2 0.165	35.3 1.390	33.8 1.331	3.3 0.130	15.75 0.620	3.9 0.154	48.7 1.917	36.0 1.417	34.9 1.374
28	25.2 0.992	51.1 2.012	3.7 0.146	M5	4.2 0.165	41.4 1.630	33.8 1.331	3.3 0.130	15.75 0.620	3.9 0.154	55.5 2.185	42.0 1.654	39.7 1.563
32	26.8 1.055	57.3 2.256	4.3 0.169	M5	4.2 0.165	47.8 1.882	33.8 1.331	3.3 0.130	15.75 0.620	4.5 0.177	62.4 2.457	48.50 1.909	44.5 1.752
36	26.8 1.055	63.8 2.512	4.3 0.169	M5	4.2 0.165	52.6 2.071	33.8 1.331	3.3 0.130	15.75 0.620	4.5 0.177	69.0 2.717	55.0 2.165	49.2 1.937
40	26.8 1.055	70.2 2.764	4.3 0.169	M5	4.2 0.165	59.0 2.323	36.8 1.449	3.3 0.130	15.75 0.620	4.5 0.177	75.0 2.953	59.1 2.327	55.5 2.185

ABBMS

Square Flange Receptacle - Front Mounting (with accessory thread).

Styles: ABB00T/ABB00T...M6,
ABCIR00T/ABCIR00T...M6

BS Styles: C2503/C2504



Metric Imperial

Shell size	B max	C max	Ød1 +0.2-0 +0.008-0	d2 Thread	E max	ØF Thread dia. Class2A	H max	P	Om min overlap mated	Ød3 H13	V	W	X
10 SL	17.6 0.693	25.7 1.012	3.2 0.126	M4	3.0 0.118	5/8" 24 UNEF	29.5 1.161	0.130	11.1 0.437	0.134	1.047	0.635	0.717
14 S	18.0 0.709	30.3 1.193	3.2 0.126	M4	3.4 0.134	3/4" 20 UNEF	29.5 1.161	0.130	11.1 0.437	0.134	1.244	0.760	0.906
16 S	18.0 0.709	32.8 1.291	3.2 0.126	M4	3.4 0.134	7/8" 20 UNEF	29.5 1.161	0.130	11.1 0.437	0.134	1.354	0.885	0.969
16	22.8 0.898	32.8 1.291	3.2 0.126	M4	3.4 0.134	7/8" 20 UNEF	42.0 1.654	0.130	15.85 0.624	0.134	1.354	0.885	0.969
18	23.6 0.929	35.3 1.390	3.2 0.126	M4	4.2 0.165	1" 20 UNEF	42.0 1.654	0.130	15.85 0.624	0.134	1.508	1.010	1.063
20	23.6 0.929	38.3 1.508	3.2 0.126	M4	4.2 0.165	1 1/8" 18 UNEF	42.0 1.654	0.130	15.85 0.624	0.134	1.642	1.135	1.157
22	23.6 0.929	41.3 1.626	3.2 0.126	M4	4.2 0.165	1 1/4" 18 UNEF	42.0 1.654	0.130	15.75 0.620	0.134	1.780	1.260	1.252
24	25.2 0.992	44.8 1.764	3.7 0.146	M4	4.2 0.165	1 3/8" 18 UNEF	42.0 1.654	0.130	15.75 0.620	0.154	1.917	1.385	1.374
28	25.2 0.992	51.1 2.012	3.7 0.146	M5	4.2 0.165	1 5/8" 18 UNEF	42.0 1.654	0.130	15.75 0.620	0.154	2.185	1.635	1.563
32	26.8 1.055	57.3 2.256	4.3 0.169	M5	4.2 0.165	1 7/8" 16 UN	42.0 1.654	0.130	15.75 0.620	0.177	2.457	1.885	1.752
36	26.8 1.055	63.8 2.512	4.3 0.169	M5	4.2 0.165	2 1/16" 16 UNS	42.0 1.654	0.130	15.75 0.620	0.177	2.717	2.073	1.937
40	26.8 1.055	70.2 2.764	4.3 0.169	M5	4.2 0.165	2 5/16" 16 UN	42.0 1.654	0.130	15.75 0.620	0.177	2.953	2.327	2.185

ABBMS

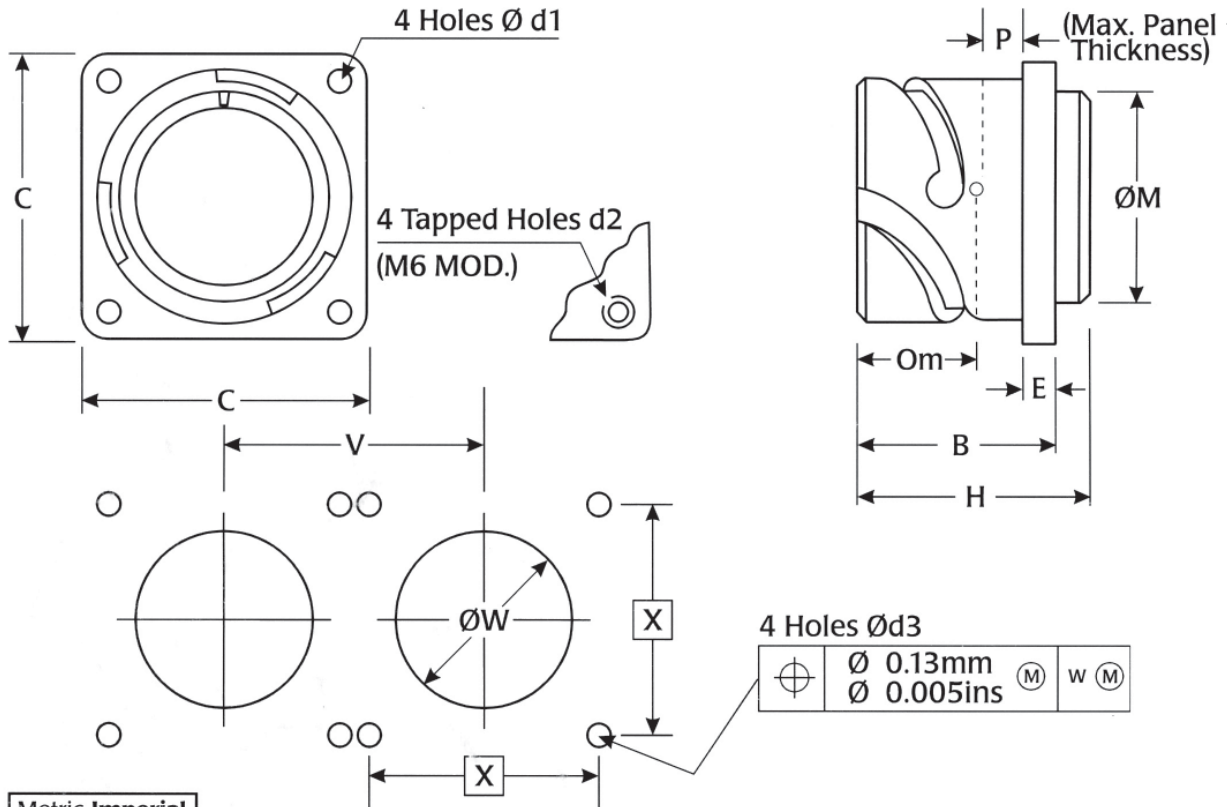
Square Flange Receptacle - Rear Mounting (without accessory thread).

Styles: ABB03A/ABB03A...M6

BS Styles: C2758/C2759

ABCIR03A/ABCIR03A...M6

VG Style: B2/B1



Metric Imperial

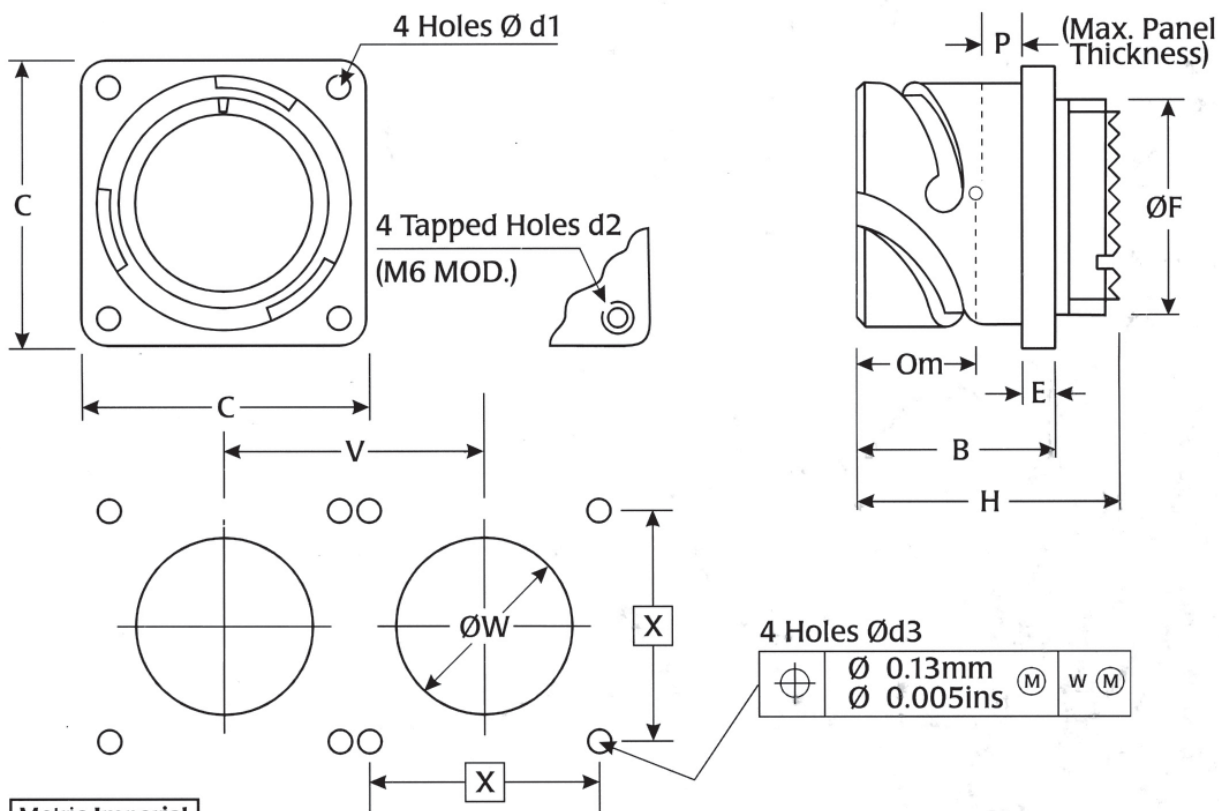
Shell size	B max	C max	Ød1 +0.2-0 +0.008-0	d2 Thread	E max	ØM max	H max	P	Om min overlap mated	Ød3 H13	V	W	X
10 SL	18.6 0.732	25.7 1.012	3.2 0.126	M4	3.0 0.118	16.2 0.638	24.7 0.972	3.3 0.130	11.1 0.437	3.4 0.134	26.6 1.047	18.58 0.732	18.2 0.717
14 S	18.6 0.732	30.3 1.193	3.2 0.126	M4	3.4 0.134	19.2 0.756	24.7 0.972	3.3 0.130	11.1 0.437	3.4 0.134	31.6 1.244	24.98 0.984	23.0 0.906
16 S	18.6 0.732	32.8 1.291	3.2 0.126	M4	3.4 0.134	22.4 0.882	24.7 0.972	3.3 0.130	11.1 0.437	3.4 0.134	34.4 1.354	27.78 1.094	24.6 0.969
16	21.9 0.862	32.8 1.291	3.2 0.126	M4	3.4 0.134	22.4 0.882	33.8 1.331	3.3 0.130	15.85 0.624	3.4 0.134	34.4 1.354	27.78 1.094	24.6 0.969
18	23.45 0.923	35.3 1.390	3.2 0.126	M4	4.2 0.165	25.6 1.008	33.8 1.331	3.3 0.130	15.85 0.624	3.4 0.134	38.3 1.508	31.18 1.228	27.0 1.063
20	23.45 0.923	38.3 1.508	3.2 0.126	M4	4.2 0.165	29.0 1.142	33.8 1.331	3.3 0.130	15.85 0.624	3.4 0.134	41.7 1.642	34.58 1.361	29.4 1.157
22	23.45 0.923	41.3 1.626	3.2 0.126	M4	4.2 0.165	32.2 1.268	33.8 1.331	3.3 0.130	15.75 0.620	3.4 0.134	45.2 1.780	37.78 1.487	31.8 1.252
24	23.45 0.923	44.8 1.764	3.7 0.134	M4	4.2 0.165	35.3 1.390	33.8 1.331	3.3 0.130	15.75 0.620	3.9 0.154	48.7 1.917	41.28 1.625	34.9 1.374
28	24.45 0.963	51.1 2.012	3.7 0.134	M5	4.2 0.165	41.4 1.630	33.8 1.331	3.3 0.130	15.75 0.620	3.9 0.154	55.5 2.185	47.08 1.854	39.7 1.563
32	24.45 0.963	57.3 2.256	4.3 0.169	M5	4.2 0.165	47.8 1.882	33.8 1.331	3.3 0.130	15.75 0.620	4.5 0.177	62.4 2.457	53.78 2.117	44.5 1.752
36	24.45 0.963	63.8 2.512	4.3 0.169	M5	4.2 0.165	52.6 2.071	33.8 1.331	3.3 0.130	15.75 0.620	4.5 0.177	69.0 2.717	59.98 2.361	49.2 1.937
40	24.45 0.963	70.2 2.764	4.3 0.169	M5	4.2 0.165	59.0 2.323	36.9 1.453	3.3 0.130	15.75 0.620	4.5 0.177	75.0 2.953	66.4 2.614	55.5 2.186

ABBMS

Square Flange Receptacle - Rear Mounting (with accessory thread).

Styles: ABB03T/ABB03T...M6

ABCIR03T/ABCIR03T...M6



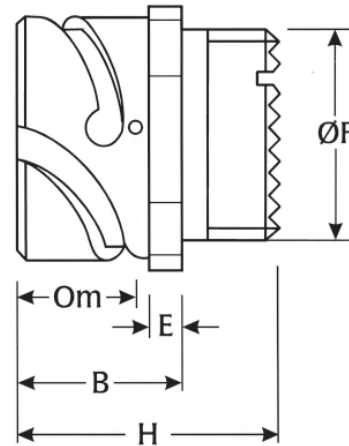
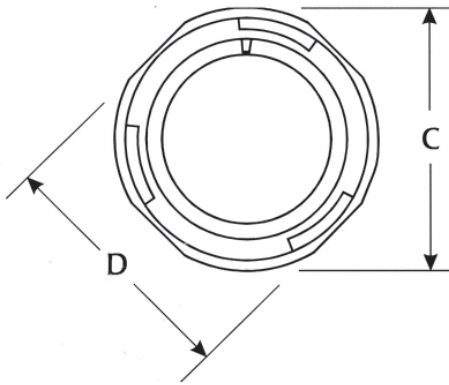
Metric Imperial

Shell size	B max	C max	Ød1 <small>+0.2-0 +0.008-0</small>	d2 Thread	E max	ØF Thread dia. Class 2A	H max	P	Om min overlap mated	Ød3 H13	V	W	X
10 SL	18.6 0.732	25.7 1.012	3.2 0.126	M4	3.0 0.118	5/8" 24 UNEF	29.5 1.161	3.3 0.130	11.1 0.437	3.4 0.134	26.6 1.147	18.58 0.732	18.2 0.717
14 S	18.6 0.732	30.3 1.193	3.2 0.126	M4	3.4 0.134	3/4" 20 UNEF	29.5 1.161	3.3 0.130	11.1 0.437	3.4 0.134	31.6 1.244	24.98 0.984	23.0 0.906
16 S	18.6 0.732	32.8 1.291	3.2 0.126	M4	3.4 0.134	7/8" 20 UNEF	29.5 1.161	3.3 0.130	11.1 0.437	3.4 0.134	34.4 1.354	27.78 1.094	24.6 0.969
16	21.9 0.862	32.8 1.291	3.2 0.126	M4	3.4 0.134	7/8" 20 UNEF	42.0 1.654	3.3 0.130	15.85 0.624	3.4 0.134	34.4 1.354	27.78 1.094	24.6 0.969
18	23.45 0.923	35.3 1.390	3.2 0.126	M4	4.2 0.165	1" 20 UNEF	42.0 1.654	3.3 0.130	15.85 0.624	3.4 0.134	38.3 1.508	31.18 1.228	27.0 1.063
20	23.45 0.923	38.3 1.508	3.2 0.126	M4	4.2 0.165	1 1/8" 18 UNEF	42.0 1.654	3.3 0.130	15.85 0.624	3.4 0.134	41.7 1.642	34.58 1.361	29.4 1.157
22	23.45 0.923	41.3 1.626	3.2 0.126	M4	4.2 0.165	1 1/4" 18 UNEF	42.0 1.654	3.3 0.130	15.75 0.620	3.4 0.134	45.2 1.780	37.78 1.487	31.8 1.252
24	23.45 0.923	44.8 1.764	3.7 0.146	M4	4.2 0.165	1 3/8" 18 UNEF	42.0 1.654	3.3 0.130	15.75 0.620	3.9 0.154	48.7 1.917	41.28 1.625	34.9 1.374
28	24.45 0.963	51.1 2.012	3.7 0.146	M5	4.2 0.165	1 5/8" 18 UNEF	42.0 1.654	3.3 0.130	15.75 0.620	3.9 0.154	55.5 2.185	47.08 1.854	39.7 1.563
32	24.45 0.963	57.3 2.256	4.3 0.169	M5	4.2 0.165	1 7/8" 16 UN	42.0 1.654	3.3 0.130	15.75 0.620	4.5 0.177	62.4 2.457	53.78 2.117	44.5 1.752
36	24.45 0.963	63.8 2.512	4.3 0.169	M5	4.2 0.165	2 1/16" 16 UNS	42.0 1.654	3.3 0.130	15.75 0.620	4.5 0.177	69.0 2.717	59.98 2.361	49.2 1.937
40	24.45 0.963	70.2 2.764	4.3 0.169	M5	4.2 0.165	2 5/16" 16 UN	42.0 1.654	3.3 0.130	15.75 0.620	4.5 0.177	75.0 2.953	66.4 2.614	55.5 2.185

ABBMS

Cable Mounted Receptacle -
 Style: ABB01T
 ABCI01T

BS Style: C2509



Metric Imperial

Shell size	B max	C max	D max	E max	ØF Thread dia. Class2A	H max	Om min overlap mated
10 SL	17.6 0.693	25.2 0.992	20.8 0.819	3.0 0.118	5/8" x 24 UNEF	29.5 1.161	11.1 0.437
14 S	18.0 0.709	29.8 1.173	25.6 1.008	3.4 0.134	3/4" x 20 UNEF	29.5 1.161	11.1 0.437
16 S	18.0 0.709	32.3 1.272	28.8 1.134	3.4 0.134	7/8" x 20 UNEF	29.5 1.161	11.1 0.437
16	22.8 0.898	32.3 1.272	28.8 1.134	3.4 0.134	7/8" x 20 UNEF	42.0 1.654	15.85 0.624
18	23.6 0.929	34.8 1.370	31.9 1.256	4.2 0.165	1" x 20 UNEF	42.0 1.654	15.85 0.624
20	23.6 0.929	37.8 1.488	35.1 1.382	4.2 0.165	1 1/8" x 18 UNEF	42.0 1.654	15.85 0.624
22	23.6 0.929	41.1 1.618	38.3 1.508	4.2 0.165	1 1/4" x 18 UNEF	42.0 1.654	15.75 0.620
24	25.2 0.992	44.6 1.756	41.5 1.634	4.2 0.165	1 3/8" x 18 UNEF	42.0 1.654	15.75 0.620
28	25.2 0.992	50.9 2.004	47.8 1.882	4.2 0.165	1 5/8" x 18 UNEF	42.0 1.654	15.75 0.620
32	26.8 1.055	57.1 2.248	54.2 2.134	4.2 0.165	1 7/8" x 16 UN	42.0 1.654	15.75 0.620
36	26.8 1.055	63.8 2.512	60.8 2.394	4.2 0.165	2 1/16" x 16 UNS	42.0 1.654	15.75 0.620
40	26.8 1.055	70.0 2.756	66.7 2.626	4.2 0.165	2 5/16" x 16 UN	42.0 1.654	15.75 0.620

ABBMS

Arctic Grip Coupling Nut -
Styles: ABB06T/ABBNS06T

BS Styles: C2502/C2501

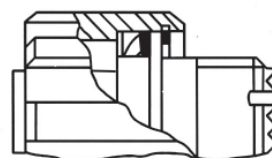
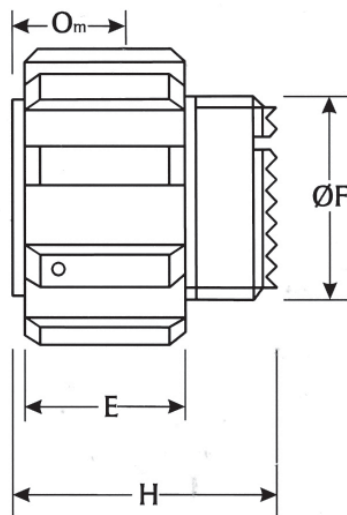
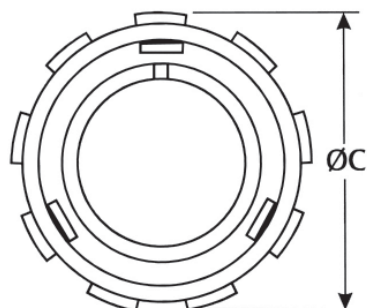


ABB06T Standard Product with RFI Grounding System.

Metric Imperial

Shell size	ØC max	E max	ØF Thread form Class 2A	H max	Øm min overlap mated
10 SL	24.2 0.953	17.5 0.689	5/8" x 24 UNEF	29.95 1.179	11.1 0.437
14 S	30.6 1.205	17.5 0.689	3/4" x 20 UNEF	29.95 1.179	11.1 0.437
16 S	33.4 1.315	17.5 0.689	7/8" x 20 UNEF	29.95 1.179	11.1 0.437
16	33.4 1.315	24.0 0.945	7/8" x 20 UNEF	42.0 1.654	15.85 0.624
18	37.3 1.469	24.0 0.945	1" x 20 UNEF	42.0 1.654	15.85 0.624
20	40.7 1.602	24.0 0.945	1 1/8" x 18 UNEF	42.0 1.654	15.85 0.624
22	44.2 1.740	24.0 0.945	1 1/4" x 18 UNEF	42.0 1.654	15.85 0.624
24	47.7 1.878	24.0 0.945	1 3/8" x 18 UNEF	42.0 1.654	15.75 0.620
28	54.5 2.146	24.0 0.945	1 5/8" x 18 UNEF	42.0 1.654	15.75 0.620
32	61.4 2.417	27.0 1.063	1 7/8" x 16 UN	42.0 1.654	15.75 0.620
* 36	68.0 2.677	27.0 1.063	2 1/16" x 16 UNS	42.0 1.654	15.75 0.620

* Consult factory for connector shell to accommodate 2" x 18 UNS mating thread - see pages 32 & 36.

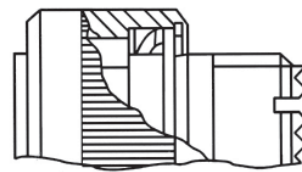
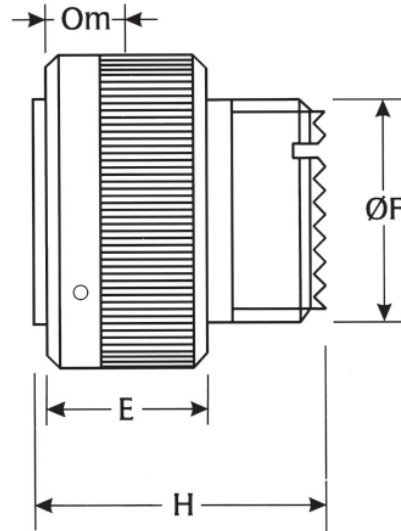
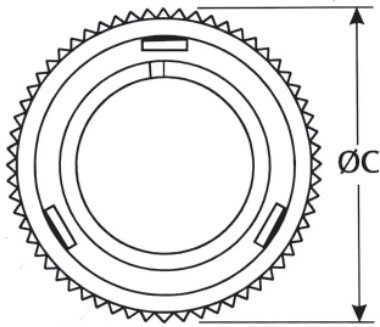
ABBMS

Fine Knurl Coupling Nut -

Styles: ABBE06T/ABBSE06T

ABCIR06T/ABBCIRSE06T

BS Styles: C2528/C2529



ABCIRSE06T
ABBSE06T with
RFI Grounding
System.

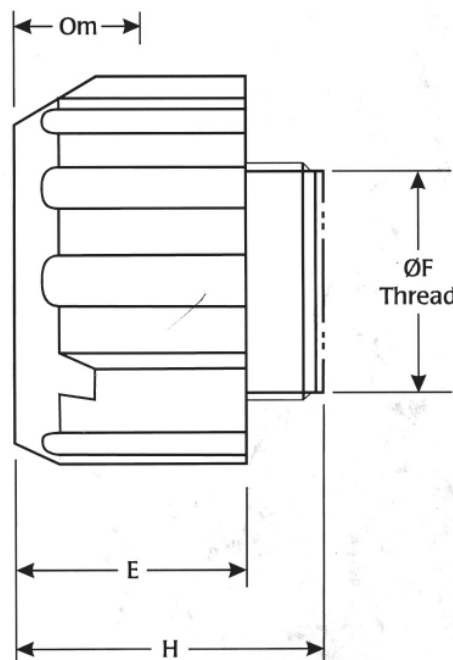
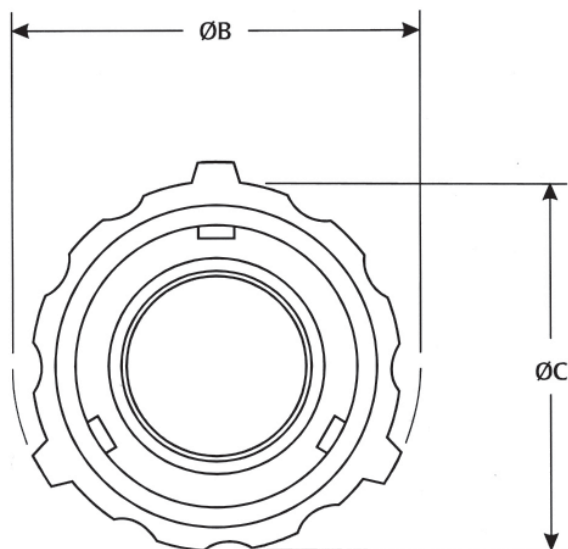
Metric Imperial

Shell size	ABBE06T ABBSE06T ABCIR06T	ØC max	ABCIRSE06T	E max	ØF Thread form Class2A	H max	O _m min overlap mated
10 SL	22.8 0.898	24.2 0.953	17.5 0.689	17.5 0.689	5/8" x 24 UNEF	29.95 1.179	11.1 0.437
14 S	29.2 1.150	30.6 1.205	17.5 0.689	17.5 0.689	3/4" x 20 UNEF	29.95 1.179	11.1 0.437
16 S	32.4 1.276	33.4 1.315	17.5 0.689	17.5 0.689	7/8" x 20 UNEF	29.95 1.179	11.1 0.437
16	32.4 1.276	33.4 1.315	24.0 0.945	24.0 0.945	7/8" x 20 UNEF	42.0 1.654	15.85 0.624
18	36.5 1.437	37.3 1.468	24.0 0.945	24.0 0.945	1" x 20 UNEF	42.0 1.654	15.85 0.624
20	39.9 1.571	40.7 1.602	24.0 0.945	24.0 0.945	1 1/8" x 18 UNEF	42.0 1.654	15.85 0.624
22	43.1 1.697	44.2 1.740	24.0 0.945	24.0 0.945	1 1/4" x 18 UNEF	42.0 1.654	15.85 0.624
24	46.6 1.835	47.7 1.878	24.0 0.945	24.0 0.945	1 3/8" x 18 UNEF	42.0 1.654	15.75 0.620
28	53.4 2.102	54.5 2.146	24.0 0.945	24.0 0.945	1 5/8" x 18 UNEF	42.0 1.654	15.75 0.620
32	60.1 2.366	61.4 2.417	27.0 1.063	27.0 1.063	1 7/8" x 16 UN	42.0 1.654	15.75 0.620
* 36	66.3 2.610	68.0 2.677	27.0 1.063	27.0 1.063	2 1/16" x 16 UNS	42.0 1.654	15.75 0.620
40	72.1 2.838	74.0 2.913	27.0 1.063	27.0 1.063	2 5/16" x 16 UN	42.0 1.654	15.75 0.620

* Consult factory for connector shell to accommodate 2" x 18 UNS mating thread - see pages 32 & 36.

ABBMS

Plug Rubberised Coupling Nut -
 Styles: ABBCIRP06RT



Metric Imperial

Shell size	B	C	E max	$\varnothing F$ Thread dia. Class 2A	H max	O_m min overlap mated
* 10 SL	33.5 1.319	28.5 1.122	19.4 0.764	5/8" x 24 UNEF	29.55 1.163	13.1 0.516
* 14 S	40.2 1.583	35.2 1.386	19.4 0.764	3/4" x 20 UNEF	29.55 1.163	13.1 0.516
* 16 S	43.88 1.726	38.9 1.531	19.4 0.764	7/8" x 20 UNEF	29.55 1.163	13.1 0.516
* 16	43.88 1.726	38.9 1.531	27.1 1.067	7/8" x 20 UNEF	37.07 1.459	17.85 0.703
* 18	49.0 1.929	43.5 1.713	27.1 1.067	1" x 20 UNEF	37.07 1.459	17.85 0.703
20	51.5 2.026	46.0 1.811	27.1 1.067	1 1/8" x 18 UNEF	37.07 1.459	17.85 0.703
22	56.0 2.205	50.5 1.988	27.1 1.067	1 1/4" x 18 UNEF	37.07 1.459	17.85 0.703
* 24	60.0 2.362	54.0 2.126	27.1 1.067	1 3/8" x 18 UNEF	37.07 1.459	17.75 0.699
* 28	67.0 2.638	61.0 2.402	27.1 1.067	1 5/8" x 18 UNEF	37.07 1.459	17.75 0.699
* 32	76.0 2.992	67.6 2.661	27.1 1.067	1 7/8" x 16 UN	37.07 1.459	17.75 0.699
* 36	82.3 3.240	74.3 2.925	27.1 1.067	2 1/16" x 16 UNS	37.07 1.459	17.75 0.699
40	88.0 3.465	80.0 3.150	27.1 1.067	2 5/16" x 16 UN	37.07 1.459	17.75 0.699

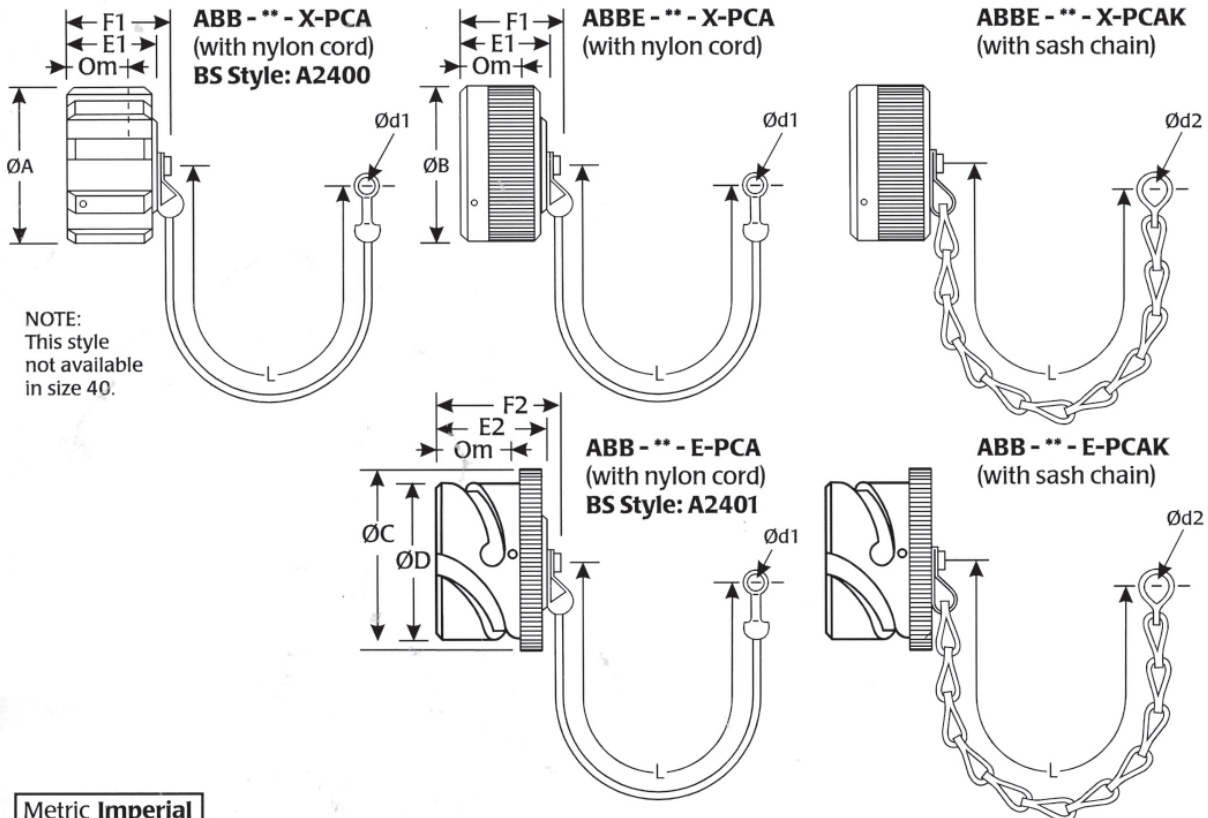
* Consult factory for availability.

ABBMS

Protective Caps -

Styles: ABB- -XPCA/ABBE- -XPCA/K/ABB- -EPCA/K

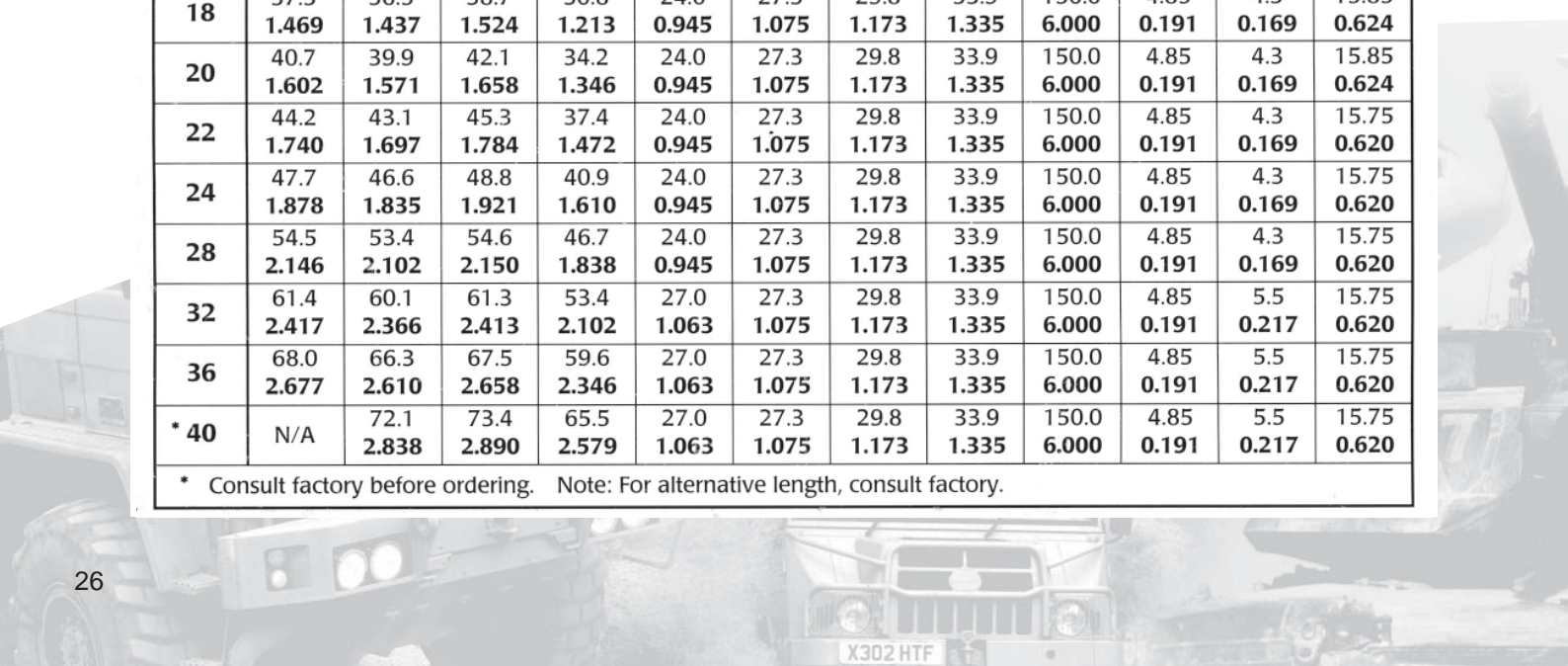
BS Styles: A2400/2401



Metric Imperial

Shell *size	ØA max	ØB max	ØC max	ØD max	E1 max	E2 max	F1 max	F2 max	L approx see note	Ød1 min	Ød1 +0.5-0 +0.02-0	Om min overlap mated
10 SL	24.2 0.953	22.8 0.898	26.1 1.028	18.2 0.717	17.5 0.689	21.6 0.850	24.6 0.969	28.4 1.118	100.0 4.000	4.85 0.191	4.3 0.169	11.1 0.437
14 S	30.6 1.205	29.2 1.150	32.5 1.280	24.6 0.969	17.5 0.689	21.6 0.850	24.6 0.969	28.4 1.118	100.0 4.000	4.85 0.191	4.3 0.169	11.1 0.437
16 S	33.4 1.315	32.4 1.276	35.3 1.390	27.4 1.079	17.5 0.689	21.6 0.850	24.6 0.969	28.4 1.118	100.0 4.000	4.85 0.191	4.3 0.169	11.1 0.437
16	33.4 1.315	32.4 1.276	35.3 1.390	27.4 1.079	24.0 0.945	27.3 1.075	24.6 0.969	28.4 1.118	100.0 4.000	4.85 0.191	4.3 0.169	15.85 0.624
18	37.3 1.469	36.5 1.437	38.7 1.524	30.8 1.213	24.0 0.945	27.3 1.075	29.8 1.173	33.9 1.335	150.0 6.000	4.85 0.191	4.3 0.169	15.85 0.624
20	40.7 1.602	39.9 1.571	42.1 1.658	34.2 1.346	24.0 0.945	27.3 1.075	29.8 1.173	33.9 1.335	150.0 6.000	4.85 0.191	4.3 0.169	15.85 0.624
22	44.2 1.740	43.1 1.697	45.3 1.784	37.4 1.472	24.0 0.945	27.3 1.075	29.8 1.173	33.9 1.335	150.0 6.000	4.85 0.191	4.3 0.169	15.75 0.620
24	47.7 1.878	46.6 1.835	48.8 1.921	40.9 1.610	24.0 0.945	27.3 1.075	29.8 1.173	33.9 1.335	150.0 6.000	4.85 0.191	4.3 0.169	15.75 0.620
28	54.5 2.146	53.4 2.102	54.6 2.150	46.7 1.838	24.0 0.945	27.3 1.075	29.8 1.173	33.9 1.335	150.0 6.000	4.85 0.191	4.3 0.169	15.75 0.620
32	61.4 2.417	60.1 2.366	61.3 2.413	53.4 2.102	27.0 1.063	27.3 1.075	29.8 1.173	33.9 1.335	150.0 6.000	4.85 0.191	5.5 0.217	15.75 0.620
36	68.0 2.677	66.3 2.610	67.5 2.658	59.6 2.346	27.0 1.063	27.3 1.075	29.8 1.173	33.9 1.335	150.0 6.000	4.85 0.191	5.5 0.217	15.75 0.620
* 40	N/A	72.1 2.838	73.4 2.890	65.5 2.579	27.0 1.063	27.3 1.075	29.8 1.173	33.9 1.335	150.0 6.000	4.85 0.191	5.5 0.217	15.75 0.620

* Consult factory before ordering. Note: For alternative length, consult factory.

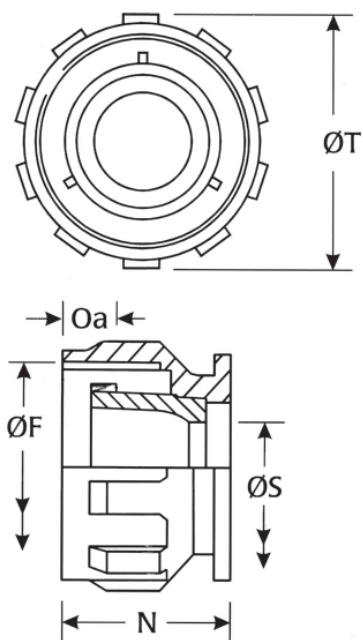


ABBMS

Grommet Nut - Accessory Type 'EV'

Style: ABB-**-**-EV

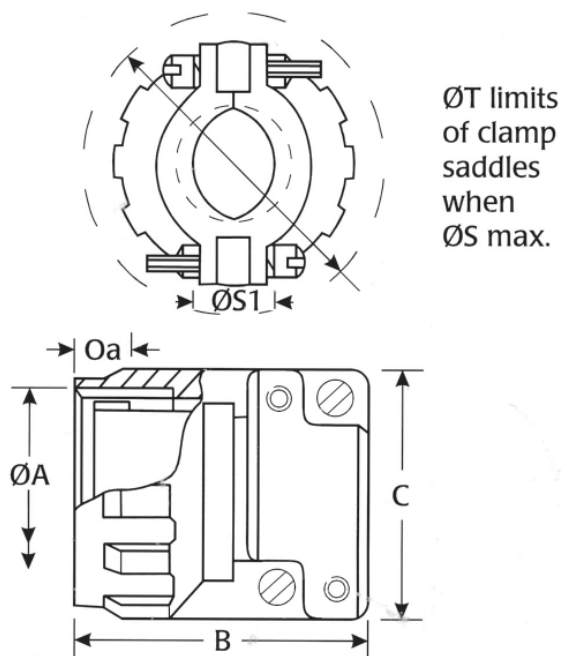
BS Style: A2344



ABBMS

Cable Clamp Assembly - Accessory Type E/C (5MS locking)

Style: SB-**-**-CCA. BS Style: A2345



Metric Imperial

How to order: **ABB-**-**-EV**

Shell size _____

Contact arrangement _____

Typical Example: **ABB-10SL-3-EV**

(includes grommet & follower)

How to order: **SB-**-**-CCA**

Shell size _____

Contact arrangement _____

Typical Example: **SB-10SL-3-CCA**

(includes grommet & follower)

Shell size	ØT max	ØF Thread Class2B	N max	ØS min	Oa min overlap accessy
10 SL	21.6 0.850	5/8" x 24 UNEF	20.83 0.820	8.6 0.339	6.1 0.240
14 S	24.8 0.976	3/4" x 20 UNEF	20.83 0.820	11.1 0.437	6.1 0.240
16 S	28.7 1.130	7/8" x 20 UNEF	20.83 0.820	14.3 0.563	6.1 0.240
16	28.7 1.130	7/8" x 20 UNEF	25.53 1.005	14.3 0.563	7.6 0.300
18	31.9 1.256	1" x 20 UNEF	25.53 1.005	16.7 0.657	7.6 0.300
20	34.9 1.374	1 1/8" x 18 UNEF	25.53 1.005	19.8 0.780	7.6 0.300
22	38.2 1.504	1 1/4" x 18 UNEF	25.53 1.005	21.34 0.840	7.6 0.300
24	41.4 1.630	1 3/8" x 18 UNEF	25.53 1.005	25.4 1.000	7.6 0.300
28	47.8 1.882	1 5/8" x 18 UNEF	25.53 1.005	30.13 1.186	7.6 0.300
32	54.1 2.130	1 7/8" x 16 UN	25.53 1.005	36.73 1.446	7.6 0.300
36	58.7 2.311	2 1/16" x 16 UNS	25.53 1.005	41.0 1.614	7.6 0.300
40	63.0 2.480	2 5/16" x 16 UN	25.64 1.009	45.9 1.807	7.6 0.300

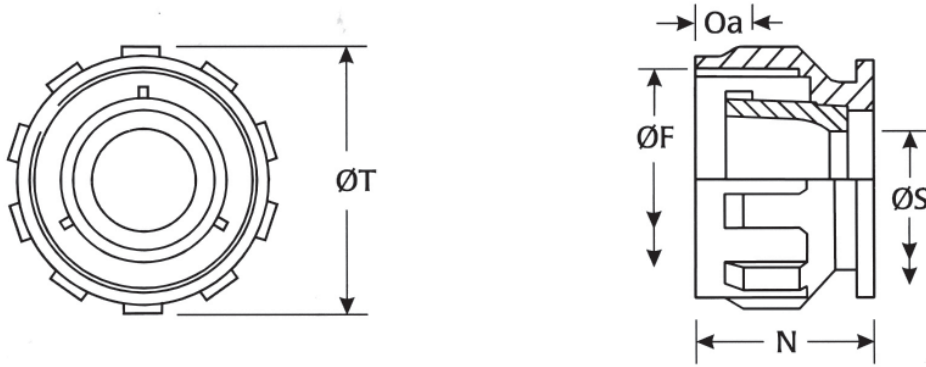
Shell size	ØA Thread Class 2B	B max	C max	ØS1 min	ØS1 max	ØT max	Oa min overlap accessy
10 SL	5/8" x 24 UNEF	33.02 1.300	21.47 0.845	5.08 0.200	7.92 0.312	24.61 0.969	6.1 0.240
14 S	3/4" x 20 UNEF	33.02 1.300	24.64 0.970	7.92 0.312	11.10 0.437	29.36 1.156	6.1 0.240
16 S	7/8" x 20 UNEF	33.02 1.300	28.71 1.130	9.14 0.360	14.27 0.562	31.75 1.250	6.1 0.240
16	7/8" x 20 UNEF	45.72 1.800	28.71 1.130	9.14 0.360	14.27 0.562	31.75 1.250	7.6 0.300
18	1" x 20 UNEF	45.72 1.800	31.88 1.255	10.72 0.422	15.87 0.625	34.14 1.344	7.6 0.300
20	1 1/8" x 18 UNEF	45.72 1.800	35.06 1.380	13.48 0.531	20.62 0.812	37.13 1.462	7.6 0.300
22	1 1/4" x 18 UNEF	45.72 1.800	38.23 1.505	13.48 0.531	20.62 0.812	40.49 1.549	7.6 0.300
24	1 3/8" x 18 UNEF	45.72 1.800	41.41 1.630	15.08 0.594	23.80 0.937	43.66 1.719	7.6 0.300
28	1 5/8" x 18 UNEF	45.72 1.800	47.76 1.880	15.08 0.594	23.80 0.937	50.01 1.969	7.6 0.300
32	1 7/8" x 16 UN	45.72 1.800	54.11 2.130	20.06 0.790	31.75 1.250	56.36 2.219	7.6 0.300
36	2 1/16" x 16 UNS	45.72 1.800	58.75 2.313	20.06 0.790	34.92 1.375	62.71 2.469	7.6 0.300

ABBMS

Grommet Nut - Accessory Type 'E'

Styles: ABB-**-**-E

BS Style: A2344



Metric Imperial

How to order: **ABB - ** - ** - E**

Shell size

Contact arrangement

Typical Example: **ABB - 10SL - 3 - E**

(includes grommet & follower)

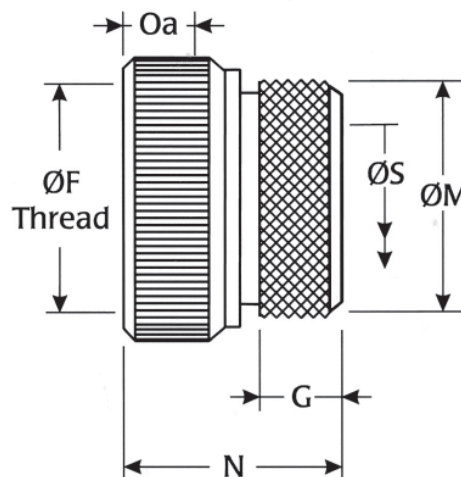
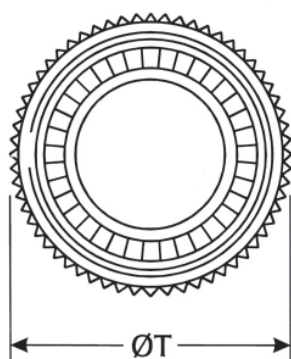
Shell size	ØT max	ØF Thread Class2B	N max	ØS min	O _a min overlap accessory
10 SL	21.6 0.850	5/8" x 24 UNEF	20.83 0.820	7.62 0.300	6.1 0.240
14 S	24.8 0.976	3/4" x 20 UNEF	20.83 0.820	10.21 0.402	6.1 0.240
16 S	28.7 1.130	7/8" x 20 UNEF	20.83 0.820	12.85 0.506	6.1 0.240
16	28.7 1.130	7/8" x 20 UNEF	25.53 1.005	12.85 0.506	7.6 0.300
18	31.9 1.256	1" x 20 UNEF	25.53 1.005	14.99 0.590	7.6 0.300
20	34.9 1.374	1 1/8" x 18 UNEF	25.53 1.005	17.93 0.706	7.6 0.300
22	38.2 1.504	1 1/4" x 18 UNEF	25.53 1.005	21.46 0.845	7.6 0.300
24	41.4 1.630	1 3/8" x 18 UNEF	25.53 1.005	24.77 0.975	7.6 0.300
28	47.8 1.882	1 5/8" x 18 UNEF	25.53 1.005	30.23 1.190	7.6 0.300
32	54.1 2.130	1 7/8" x 16 UN	25.53 1.005	36.32 1.430	7.6 0.300
36	58.7 2.311	2 1/16" x 16 UNS	25.53 1.005	40.51 1.595	7.6 0.300

ABBMS

Heatshrink Adaptor - Accessory Type G

Style: ABB-**-**-HSA

BS Style: A2525



Metric Imperial

How to order: **ABB - ** - ** - HSA**

Shell size _____

Contact arrangement _____

Typical Example: **ABB - 10SL - 3 - HSA**

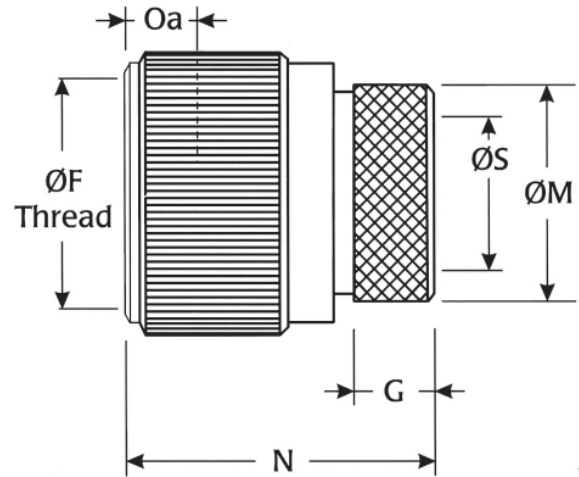
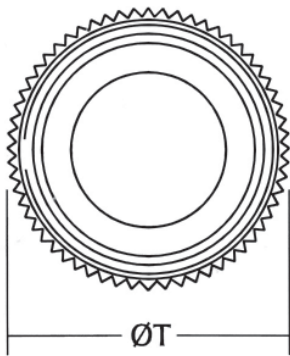
(includes grommet)

Shell size	ØF Thread dia. Class2B	ØM max	N max	G max	ØS min	ØT max	O _a min overlap accessories
10 SL	5/8" x 24 UNEF	15.7 0.618	27.6 1.087	8.2 0.323	7.7 0.303	22.0 0.87	7.0 0.276
14 S	3/4" x 20 UNEF	19.3 0.760	27.6 1.087	8.2 0.323	10.6 0.417	25.0 0.99	7.0 0.276
16 S	7/8" x 20 UNEF	24.1 0.949	27.6 1.087	8.2 0.323	13.5 0.532	28.0 1.11	7.0 0.276
16	7/8" x 20 UNEF	24.1 0.949	27.6 1.087	8.0 0.315	13.5 0.532	28.0 1.11	7.0 0.276
18	1" x 20 UNEF	24.1 0.949	29.6 1.165	8.0 0.315	14.6 0.575	31.0 1.22	7.0 0.276
20	1 1/8" x 18 UNEF	29.8 1.173	30.6 1.205	9.2 0.362	18.7 0.736	35.0 1.38	7.0 0.276
22	1 1/4" x 18 UNEF	29.8 1.173	33.4 1.315	9.2 0.362	20.8 0.819	38.0 1.50	7.0 0.276
24	1 3/8" x 18 UNEF	38.0 1.496	30.6 1.205	9.2 0.362	24.6 0.969	41.0 1.62	7.0 0.276
28	1 5/8" x 18 UNEF	38.0 1.496	33.4 1.315	9.2 0.362	27.0 1.063	48.0 1.89	7.0 0.276
32	1 7/8" x 16 UN	48.0 1.890	32.1 1.264	11.7 0.461	33.3 1.311	54.0 2.13	7.0 0.276
36	2 1/16" x 16 UNS	48.0 1.890	37.4 1.472	11.7 0.461	38.5 1.516	61.0 2.40	7.0 0.276
40	2 5/16" x 16 UN	57.95 2.281	38.64 1.521	12.1 0.476	48.1 1.894	67.0 2.638	7.0 0.276

ABBMS

Solid Heatshrink Adaptor - Accessory Type GS

Style: ABB-**-**-HSAS



Metric Imperial

How to order: **ABB - ** - ** - HSAS**

Shell size ————

Contact arrangement ————

Typical Example: **ABB - 10SL - 3 - HSAS**

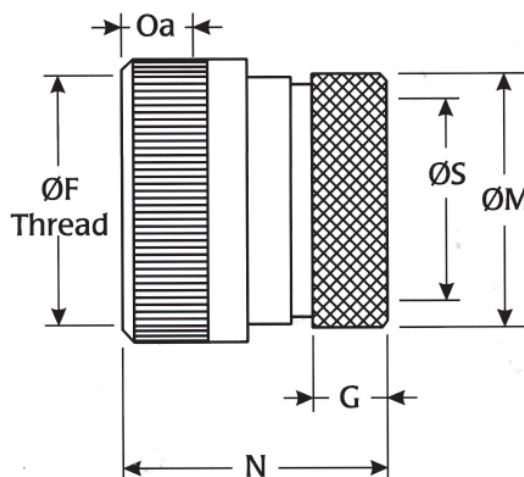
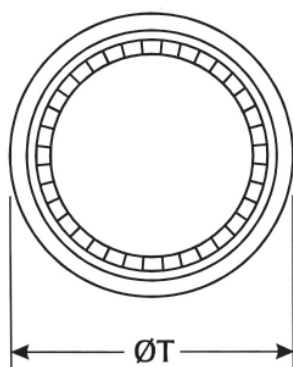
(includes grommet)

Shell size	ØF Thread dia. Class2B	ØM max	G max	N max	ØS min	ØT max	O _a min overlap accessory
* 10 SL	-	-	-	-	-	-	-
* 14 S	-	-	-	-	-	-	-
* 16 S	-	-	-	-	-	-	-
* 16	-	-	-	-	-	-	-
18	1" x 20 UNEF	24.1 0.949	11.9 0.469	45.3 1.783	14.7 0.579	28.6 1.126	7.34 0.289
20	1 1/8" x 18 UNEF	29.8 1.173	11.9 0.469	51.1 2.012	18.7 0.736	31.85 1.254	7.34 0.289
22	1 1/4" x 18 UNEF	29.8 1.173	11.9 0.469	51.1 2.012	20.9 0.823	35.03 1.379	7.14 0.281
24	1 3/8" x 18 UNEF	38.0 1.496	11.9 0.469	51.1 2.012	24.7 0.972	39.1 1.539	7.14 0.281
28	1 5/8" x 18 UNEF	38.0 1.496	11.9 0.469	51.1 2.012	27.1 1.067	45.6 1.795	6.34 0.250
32	1 7/8" x 16 UN	48.0 1.890	11.9 0.469	51.1 2.012	33.4 1.315	50.8 2.000	7.4 0.291
36	2 1/16" x 16 UNS	48.0 1.890	11.9 0.469	51.1 2.012	38.6 1.520	57.45 2.262	7.4 0.291
40	2 5/16" x 16 UN	57.95 2.281	11.9 0.469	51.1 2.012	48.1 1.894	63.1 2.484	7.4 0.291

* Please consult factory for availability.

ABBMS

RFI Shielded Adaptor - Accessory Type GM
 Style: ABB-**-**-LHSA



Metric Imperial

How to order: **ABB - ** - ** - LHSA**
 Shell size ————
 Contact arrangement ————
 Typical Example: **ABB - 18 - 12 - LHSA**
 (includes grommet)

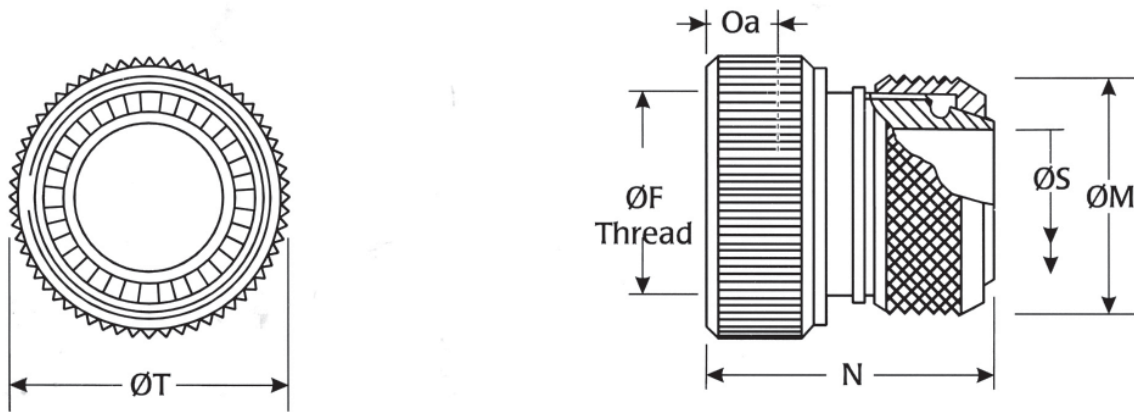
Shell size	ØF Thread dia. Class2B	ØM max	G max	N max	ØS min	ØT max	O _a min overlap
10 SL	5/8" x 24 UNEF	15.7 0.618	12.4 0.488	31.64 1.246	8.6 0.339	22.0 0.87	7.0 0.276
14 S	3/4" x 20 UNEF	19.3 0.760	12.4 0.488	31.64 1.246	11.1 0.437	25.0 0.984	7.0 0.276
16 S	7/8" x 20 UNEF	24.1 0.949	12.4 0.488	31.64 1.246	14.3 0.563	28.0 1.102	7.0 0.276
16	7/8" x 20 UNEF	24.1 0.949	12.4 0.488	35.44 1.395	14.3 0.563	28.0 1.102	7.0 0.276
18	1" x 20 UNEF	24.1 0.949	12.4 0.488	35.44 1.395	16.7 0.657	31.0 1.220	7.0 0.276
20	1 1/8" x 18 UNEF	29.8 1.173	12.4 0.488	38.93 1.533	19.8 0.780	35.0 1.378	7.0 0.276
22	1 1/4" x 18 UNEF	29.8 1.173	12.4 0.488	38.93 1.533	21.34 0.840	38.0 1.496	7.0 0.276
24	1 3/8" x 18 UNEF	38.0 1.496	12.4 0.488	38.93 1.533	25.4 1.000	41.0 1.614	7.0 0.276
28	1 5/8" x 18 UNEF	38.0 1.496	12.4 0.488	37.94 1.494	30.13 1.186	48.0 1.890	7.0 0.276
32	1 7/8" x 16 UN	48.0 1.890	12.1 0.476	37.64 1.482	36.73 1.446	54.0 2.126	7.0 0.276
36	2 1/16" x 16 UNS	48.0 1.890	12.1 0.476	38.64 1.521	41.0 1.614	61.0 2.402	7.0 0.276
40	2 5/16" x 16 UN	57.95 2.281	12.1 0.476	38.64 1.521	48.1 1.894	67.0 2.638	7.0 0.276

ABBMS

Screened Cable Adaptor - Accessory Type M

Style: ABB-**-**-SCA

BS Style: A2526



Metric Imperial

How to order: **ABB - ** - ** - SCA**

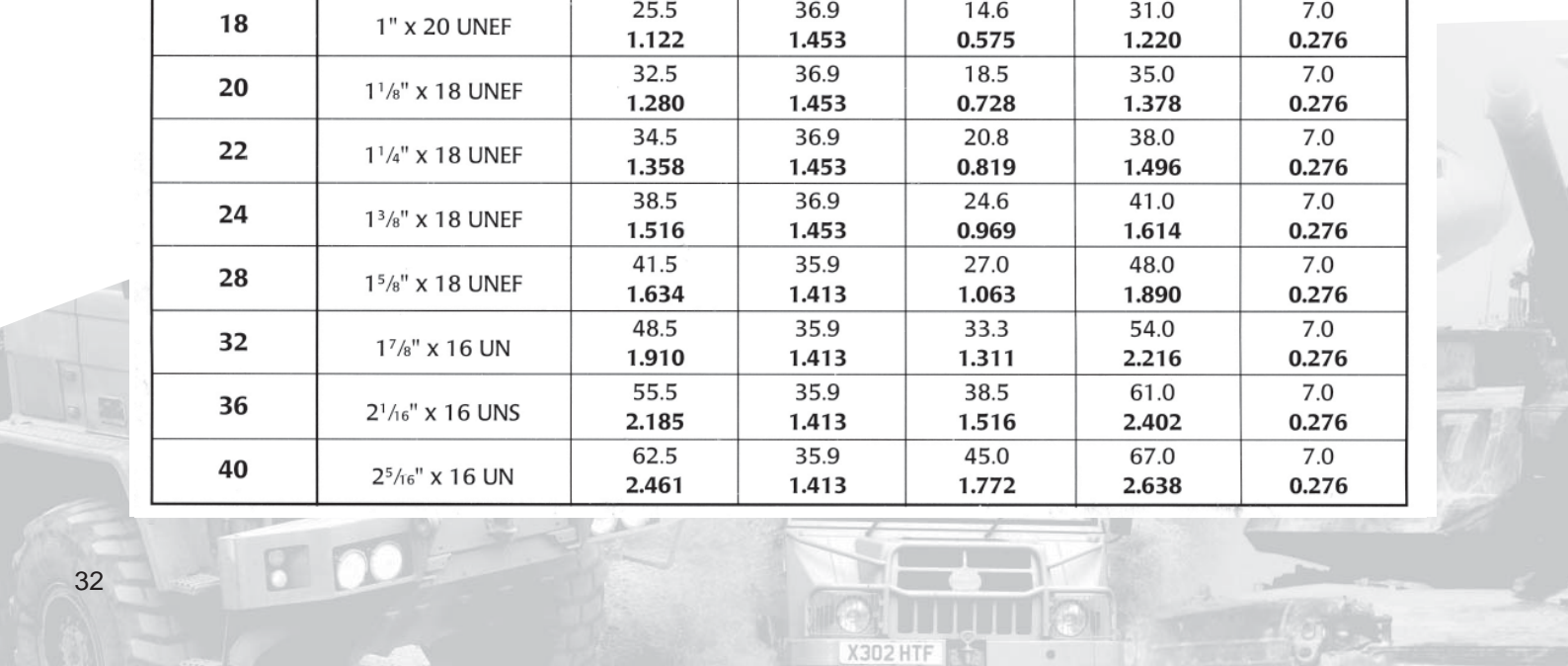
Shell size ————

Contact arrangement ————

Typical Example: **ABB - 10SL - 3 - SCA**

(includes grommet)

Shell size	ØF Thread dia. Class2B	ØM max	N max	ØS min	ØT max	O _a min overlap accessories
10 SL	5/8" x 24 UNEF	19.0 0.748	31.3 0.812	8.6 0.339	22.0 0.866	7.0 0.276
14 S	3/4" x 20 UNEF	22.5 0.886	33.9 1.339	10.6 0.417	25.0 0.984	7.0 0.276
16 S	7/8" x 20 UNEF	25.5 1.004	33.9 1.339	13.5 0.532	28.0 1.102	7.0 0.276
16	7/8" x 20 UNEF	25.5 1.004	33.9 1.339	13.5 0.532	28.0 1.102	7.0 0.276
18	1" x 20 UNEF	25.5 1.122	36.9 1.453	14.6 0.575	31.0 1.220	7.0 0.276
20	1 1/8" x 18 UNEF	32.5 1.280	36.9 1.453	18.5 0.728	35.0 1.378	7.0 0.276
22	1 1/4" x 18 UNEF	34.5 1.358	36.9 1.453	20.8 0.819	38.0 1.496	7.0 0.276
24	1 3/8" x 18 UNEF	38.5 1.516	36.9 1.453	24.6 0.969	41.0 1.614	7.0 0.276
28	1 5/8" x 18 UNEF	41.5 1.634	35.9 1.413	27.0 1.063	48.0 1.890	7.0 0.276
32	1 7/8" x 16 UN	48.5 1.910	35.9 1.413	33.3 1.311	54.0 2.216	7.0 0.276
36	2 1/16" x 16 UNS	55.5 2.185	35.9 1.413	38.5 1.516	61.0 2.402	7.0 0.276
40	2 5/16" x 16 UN	62.5 2.461	35.9 1.413	45.0 1.772	67.0 2.638	7.0 0.276

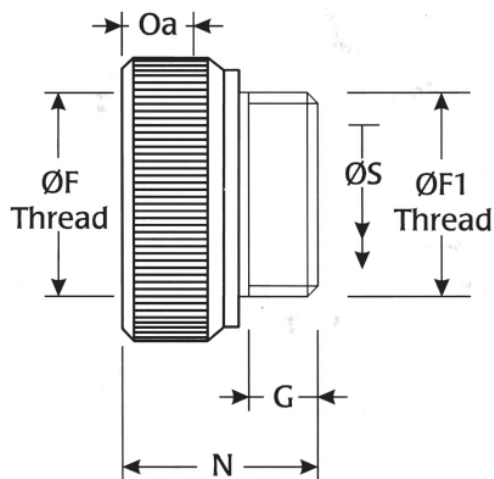
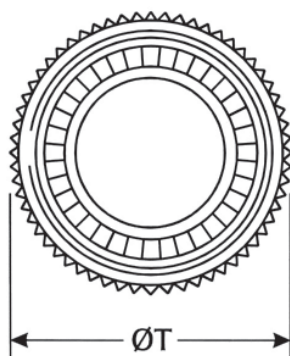


ABBMS

Armoured Cable Adaptor - Accessory Type H

Style: ABB-**-**-ACA

BS Style: A2524



Metric Imperial

How to order: **ABB - ** - ** - ACA**

Shell size ————

Contact arrangement ————

Typical Example: **ABB - 10SL - 3 - ACA**

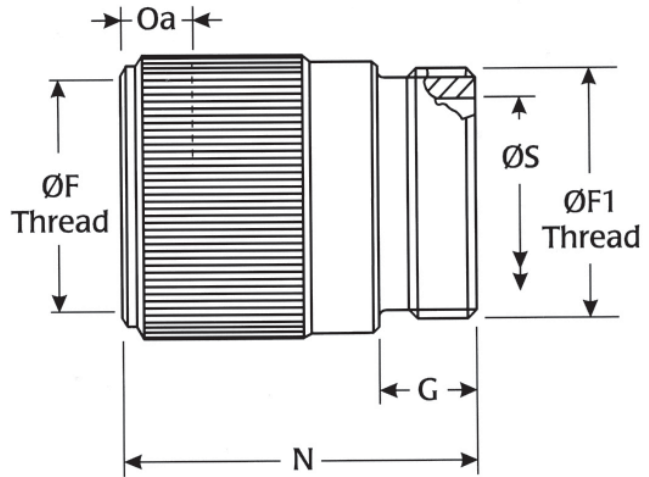
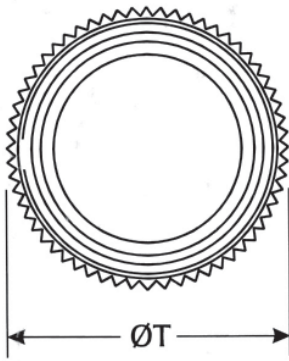
(includes grommet)

Shell size	ØF Thread dia Class2B	ØF1 Thread dia Class2A	G min	N max	ØS min	ØT max	O _a min overlap accessories
10 SL	5/8" x 24 UNEF	5/8" x 24 UNEF	9.5 0.374	27.9 1.098	8.2 0.323	22.0 0.87	7.0 0.276
14 S	3/4" x 20 UNEF	3/4" x 20 UNEF	9.5 0.374	27.9 1.098	11.1 0.437	25.0 0.984	7.0 0.276
16 S	7/8" x 20 UNEF	7/8" x 20 UNEF	9.5 0.374	27.9 1.098	14.3 0.563	28.0 1.11	7.0 0.276
16	7/8" x 20 UNEF	7/8" x 20 UNEF	9.5 0.374	27.9 1.098	14.3 0.563	28.0 1.11	7.0 0.276
18	1" x 20 UNEF	1" x 20 UNEF	9.5 0.374	29.9 1.177	16.7 0.657	31.0 1.22	7.0 0.276
20	1 1/8" x 18 UNEF	1 3/16" x 18 NEF	9.5 0.374	29.9 1.177	19.8 0.780	35.0 1.38	7.0 0.276
22	1 1/4" x 18 UNEF	1 3/16" x 18 NEF	9.5 0.374	29.9 1.177	19.8 0.780	38.0 1.50	7.0 0.276
24	1 3/8" x 18 UNEF	1 7/16" x 18 NEF	9.5 0.374	29.9 1.177	25.4 1.000	41.0 1.62	7.0 0.276
28	1 5/8" x 18 UNEF	1 7/16" x 18 NEF	9.5 0.374	30.0 1.181	27.0 1.063	48.0 1.89	7.0 0.276
32	1 7/8" x 16 UN	1 3/4" x 18 NS	11.0 0.433	28.9 1.136	32.5 1.280	54.0 2.13	7.0 0.276
36	2 1/16" x 16 UNS	2" x 18 NS	11.8 0.464	28.9 1.136	35.7 1.406	61.0 2.40	7.0 0.276
40	2 5/16" x 16 UN	2 1/4" x 16 UN	11.8 0.464	28.9 1.138	45.0 1.772	67.0 2.638	7.0 0.276

ABBMS

Conduit Cable Adaptor - Accessory Type R

Style: ABB-**-**-CCA

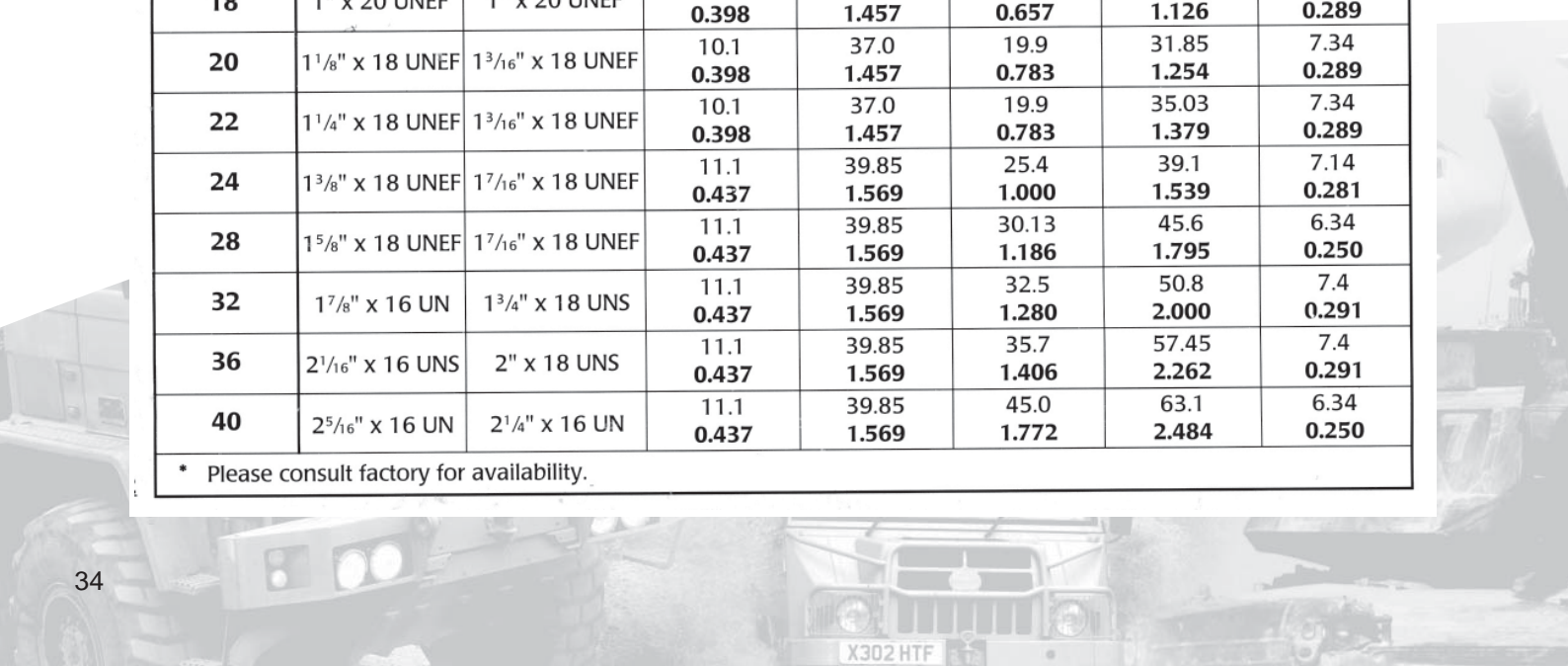


Metric Imperial

How to order: **ABB - ** - ** - CCA**
 Shell size _____
 Contact arrangement _____
 Typical Example: **ABB - 10SL - 3 - CCA**
 (includes grommet)

Shell size	ØF Thread dia class2B	ØF1 Thread dia class2A	G max	N max	ØS min	ØT max	O _a min overlap accessory
* 10 SL	-	-	-	-	-	-	-
* 14 S	-	-	-	-	-	-	-
* 16 S	-	-	-	-	-	-	-
* 16	-	-	-	-	-	-	-
18	1" x 20 UNEF	1" x 20 UNEF	10.1 0.398	37.0 1.457	16.7 0.657	28.6 1.126	7.34 0.289
20	1 ¹ / ₈ " x 18 UNEF	1 ³ / ₁₆ " x 18 UNEF	10.1 0.398	37.0 1.457	19.9 0.783	31.85 1.254	7.34 0.289
22	1 ¹ / ₄ " x 18 UNEF	1 ³ / ₁₆ " x 18 UNEF	10.1 0.398	37.0 1.457	19.9 0.783	35.03 1.379	7.34 0.289
24	1 ³ / ₈ " x 18 UNEF	1 ⁷ / ₁₆ " x 18 UNEF	11.1 0.437	39.85 1.569	25.4 1.000	39.1 1.539	7.14 0.281
28	1 ⁵ / ₈ " x 18 UNEF	1 ⁷ / ₁₆ " x 18 UNEF	11.1 0.437	39.85 1.569	30.13 1.186	45.6 1.795	6.34 0.250
32	1 ⁷ / ₈ " x 16 UN	1 ³ / ₄ " x 18 UNS	11.1 0.437	39.85 1.569	32.5 1.280	50.8 2.000	7.4 0.291
36	2 ¹ / ₁₆ " x 16 UNS	2" x 18 UNS	11.1 0.437	39.85 1.569	35.7 1.406	57.45 2.262	7.4 0.291
40	2 ⁵ / ₁₆ " x 16 UN	2 ¹ / ₄ " x 16 UN	11.1 0.437	39.85 1.569	45.0 1.772	63.1 2.484	6.34 0.250

* Please consult factory for availability.

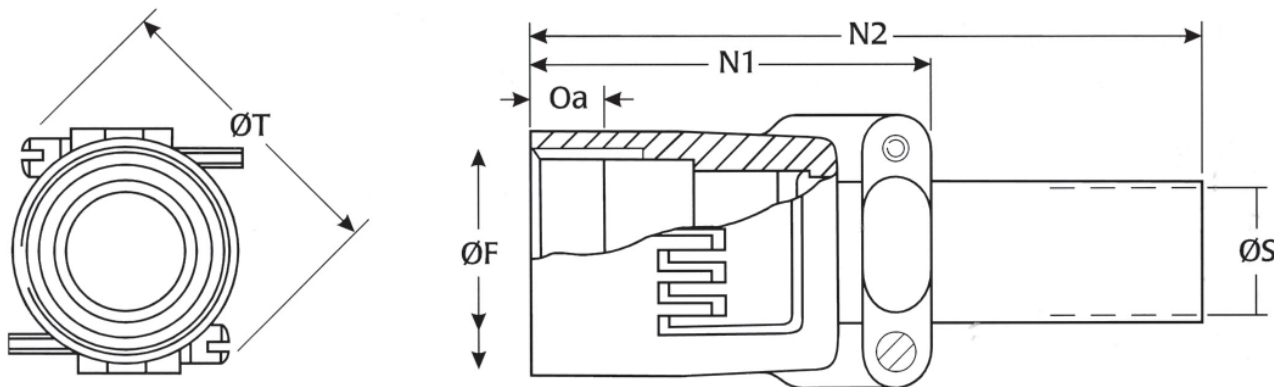


ABBMS

Multicore Cable Clamp - Accessory Type E/MC

Style: SB-**-**-MCA

BS Style: A2346



Metric Imperial

How to order: **SB - ** - ** - MCA**
 Shell size _____
 Contact arrangement _____
 Typical Example: **SB - 10SL - 3 - MCA**
 (includes grommet + nylon follower)

Shell size	N1 max	N2 max	ØF Thread Class 2B	ØS min	ØS max	ØT max	Oa overlap accessories
10 SL	45.34 1.785	95.86 3.774	5/8" x 24 UNEF	3.68 0.145	5.76 0.227	35.15 1.384	6.1 0.240
14 S	45.34 1.785	92.69 3.649	3/4" x 20 UNEF	4.62 0.182	8.1 0.319	39.88 1.570	6.1 0.240
16 S	45.34 1.785	89.64 3.529	7/8" x 20 UNEF	7.82 0.308	11.3 0.444	41.45 1.632	6.1 0.240
16	45.34 1.785	89.64 3.529	7/8" x 20 UNEF	7.82 0.308	11.3 0.444	41.45 1.632	6.1 0.240
18	50.11 1.973	91.11 3.587	1" x 20 UNEF	8.79 0.346	14.45 0.569	45.52 1.792	7.6 0.300
20	50.11 1.973	87.94 3.462	1 1/8" x 18 UNEF	10.54 0.415	16.0 0.632	49.63 1.954	7.6 0.300
22	50.11 1.973	87.94 3.462	1 1/4" x 18 UNEF	10.54 0.415	16.0 0.632	49.63 1.954	7.6 0.300
24	50.11 1.973	84.76 3.337	1 3/8" x 18 UNEF	14.55 0.573	19.23 0.757	56.29 2.216	7.6 0.300
28	59.44 2.340	94.09 3.704	1 5/8" x 18 UNEF	14.15 0.557	19.23 0.757	60.45 2.380	7.6 0.300
32	59.44 2.340	90.91 3.579	1 7/8" x 16 UN	19.18 0.755	23.98 0.944	68.43 2.694	7.6 0.300
* 36	59.44 2.340	87.73 3.454	2" x 18 UNS	24.51 0.965	31.93 1.257	71.68 2.822	7.6 0.300

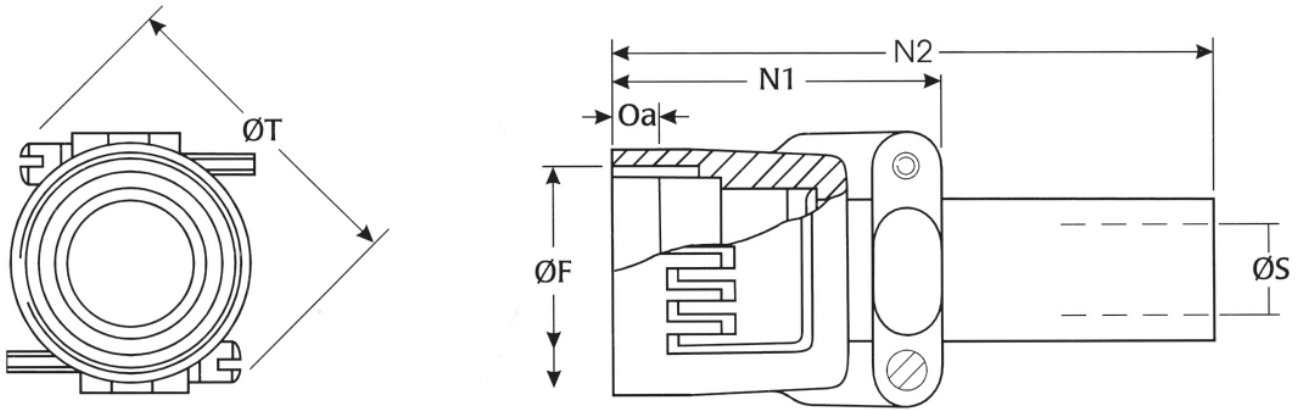
* Consult factory for connector shell to accommodate 2" x 18 UNS mating thread.

ABBMS

Cable Clamp - Accessory Type D

Style: ABB-**-**-OCN

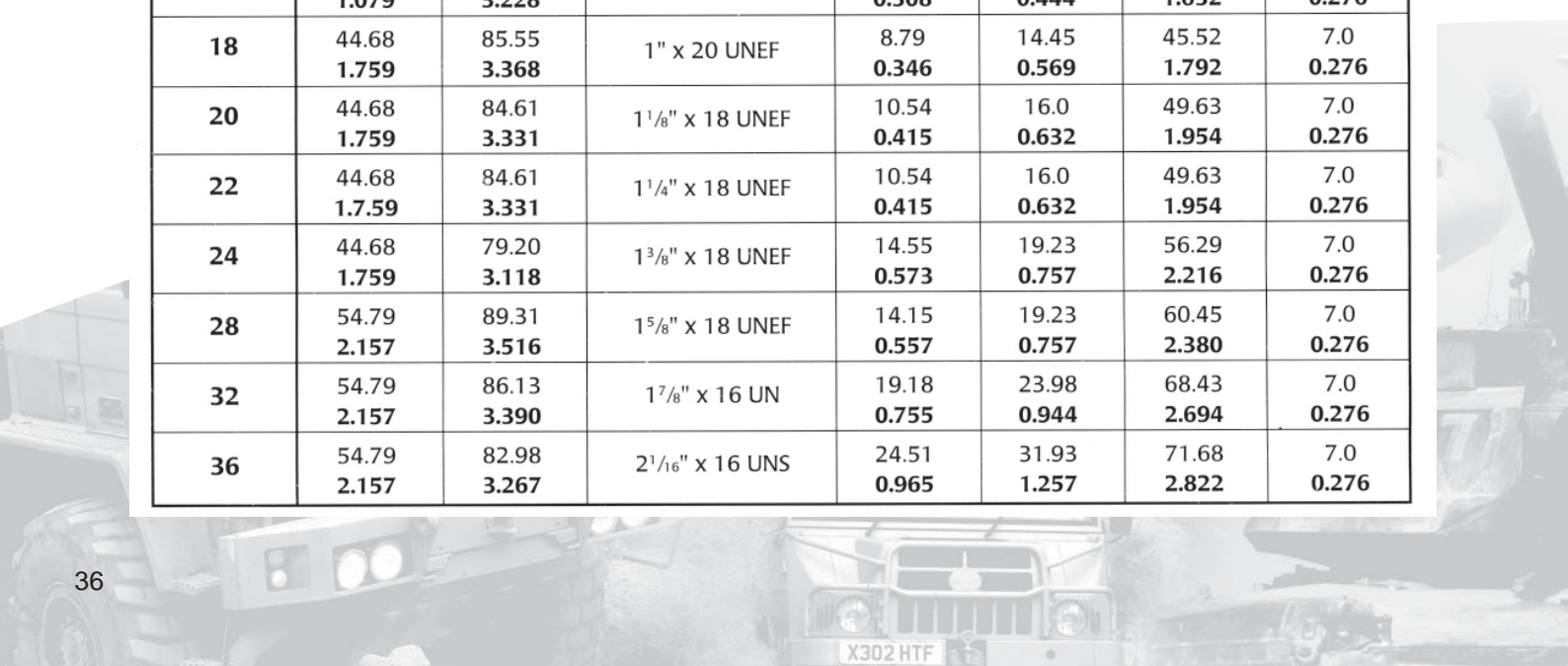
BS Style: A2527



Metric Imperial

How to order: **ABB - ** - ** - OCN**
 Shell size _____
 Contact arrangement _____
 Typical Example: **ABB - 10SL - 3 - OCN**
 (includes grommet + nylon follower)

Shell size	N1 max	N2 max	ØF Thread Class 2B	ØS min	ØS max	ØT max	O _a min overlap accessory
10 SL	36.42 1.434	86.68 3.413	5/8" x 24 UNEF	3.68 0.145	5.76 0.227	35.15 1.384	7.0 0.276
14 S	27.41 1.079	85.04 3.348	3/4" x 20 UNEF	4.62 0.182	8.1 0.319	39.88 1.570	7.0 0.276
16 S	27.41 1.079	81.99 3.228	7/8" x 20 UNEF	7.82 0.308	11.3 0.444	41.45 1.632	7.0 0.276
16	27.41 1.079	81.99 3.228	7/8" x 20 UNEF	7.82 0.308	11.3 0.444	41.45 1.632	7.0 0.276
18	44.68 1.759	85.55 3.368	1" x 20 UNEF	8.79 0.346	14.45 0.569	45.52 1.792	7.0 0.276
20	44.68 1.759	84.61 3.331	1 1/8" x 18 UNEF	10.54 0.415	16.0 0.632	49.63 1.954	7.0 0.276
22	44.68 1.759	84.61 3.331	1 1/4" x 18 UNEF	10.54 0.415	16.0 0.632	49.63 1.954	7.0 0.276
24	44.68 1.759	79.20 3.118	1 3/8" x 18 UNEF	14.55 0.573	19.23 0.757	56.29 2.216	7.0 0.276
28	54.79 2.157	89.31 3.516	1 5/8" x 18 UNEF	14.15 0.557	19.23 0.757	60.45 2.380	7.0 0.276
32	54.79 2.157	86.13 3.390	1 7/8" x 16 UN	19.18 0.755	23.98 0.944	68.43 2.694	7.0 0.276
36	54.79 2.157	82.98 3.267	2 1/16" x 16 UNS	24.51 0.965	31.93 1.257	71.68 2.822	7.0 0.276

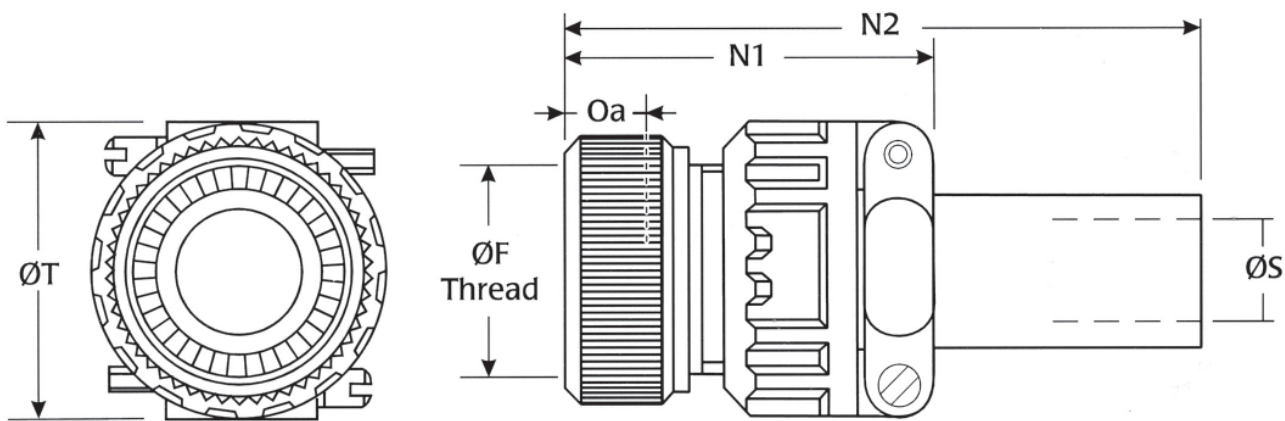


ABBMS

Cable Clamp (locking) - Accessory Type H/C

Style: ABB-**-**-HC

BS Style: A2760



Clamp available separately
AB Style: CMS 3057A - **.
BS Style A2521

Metric Imperial

How to order: **ABB - ** - ** - HC**
 Shell size _____
 Contact arrangement _____
 Typical Example: **ABB - 10SL - 3 - HC**
 (includes grommet)

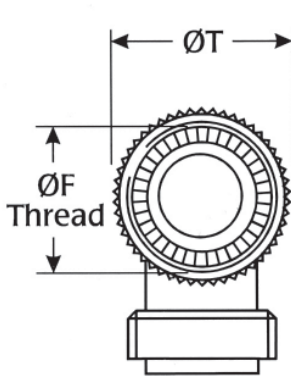
Shell size	ØF Thread dia. Class2B	N1 max	N2 max	O _a min overlap accessories	ØS max	T max
10 SL	5/8" x 24 UNEF	40.1 1.58	100.1 3.94	7.0 0.276	5.76 0.227	22.7 0.90
14 S	3/4" x 20 UNEF	41.7 1.65	96.7 3.81	7.0 0.276	8.1 0.319	27.5 1.09
16 S	7/8" x 20 UNEF	43.5 1.72	98.5 3.88	7.0 0.276	11.3 0.444	30.0 1.19
16	7/8" x 20 UNEF	43.5 1.72	93.5 3.68	7.0 0.276	11.3 0.444	30.0 1.19
18	1" x 20 UNEF	50.0 1.97	95.0 3.74	7.0 0.276	14.45 0.569	33.0 1.30
20	1 1/8" x 18 UNEF	45.5 1.80	90.5 3.57	7.0 0.276	16.0 0.632	37.5 1.48
22	1 1/4" x 18 UNEF	45.5 1.80	90.5 3.57	7.0 0.276	16.0 0.632	37.5 1.48
24	1 3/8" x 18 UNEF	47.5 1.87	77.5 3.05	7.0 0.276	19.23 0.757	43.3 1.71
28	1 5/8" x 18 UNEF	47.6 1.88	77.6 3.06	7.0 0.276	19.23 0.757	43.3 1.71
32	1 7/8" x 16 UN	46.5 1.83	76.5 3.02	7.0 0.276	23.98 0.944	51.7 2.04
36	2 1/16" x 16 UNS	46.4 1.83	76.4 3.01	7.0 0.276	31.93 1.257	58.0 2.29
40	2 5/16" x 16 UN	59.8 2.35	73.8 2.90	7.0 0.276	35.1 1.38	65.0 2.56

ABBMS

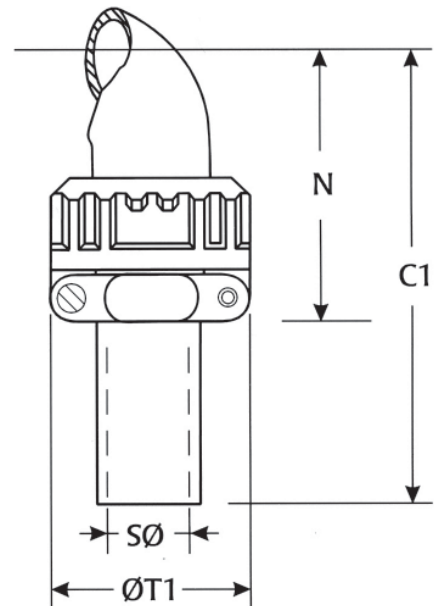
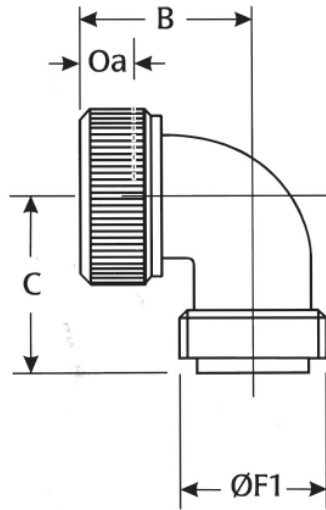
90° Angled Outlets - Accessory Type FT/F

Styles: ABB-**-**-FT/ABB-**-**-F

BS Styles: A2522/A2523



STYLE FT



STYLE F

Metric Imperial

How to order: **ABB - ** - ** - FT**

Shell size

Contact arrangement

Typical Example: **ABB - 10SL - 3 - FT**

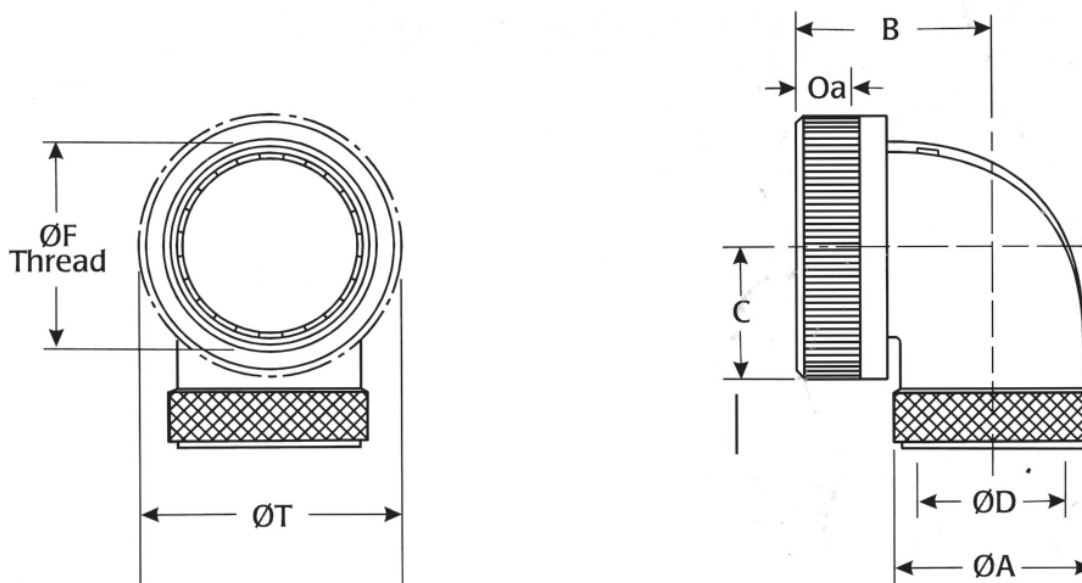
(includes grommet)

Shell size	B max	C max	C1 max	ØF Thread dia. Class2B	ØF1 Thread dia. Class2A	N max	ØT max	ØT1 max	ØS max	O _a min overlap accessories
10 SL	24.0 0.945	30.0 1.181	100.0 3.937	5/8" x 24 UNEF	5/8" x 24 UNEF	42.0 1.654	22.0 0.87	22.7 0.894	5.76 0.227	7.0 0.276
14 S	25.0 0.984	30.0 1.181	100.0 3.937	3/4" x 20 UNEF	3/4" x 20 NEF	42.0 1.654	25.0 0.99	27.5 1.083	8.1 0.319	7.0 0.276
16 S	27.0 1.063	30.0 1.181	100.0 3.937	7/8" x 20 UNEF	7/8" x 20 UNEF	45.0 1.772	28.0 1.11	30.0 1.181	11.3 0.444	7.0 0.276
16	27.0 1.063	30.0 1.181	100.0 3.937	7/8" x 20 UNEF	7/8" x 20 UNEF	45.0 1.772	28.0 1.11	30.0 1.181	11.3 0.444	7.0 0.276
18	30.1 1.185	35.0 1.378	100.0 3.937	1" x 20 UNEF	1" x 20 UNEF	53.0 2.087	31.0 1.22	33.0 1.299	14.45 0.569	7.0 0.276
20	33.0 1.299	35.0 1.378	100.0 3.937	1 1/8" x 18 UNEF	1 3/16" x 18 UNEF	53.0 2.087	35.0 1.38	37.5 1.476	16.0 0.632	7.0 0.276
22	33.1 1.303	35.0 1.378	100.0 3.937	1 1/4" x 18 UNEF	1 3/16" x 18 UNEF	53.0 2.087	38.0 1.50	37.5 1.476	16.0 0.632	7.0 0.276
24	37.9 1.492	40.0 1.575	100.0 3.937	1 3/8" x 18 UNEF	1 7/16" x 18 NEF	58.0 2.283	41.0 1.62	43.3 1.705	19.23 0.757	7.0 0.276
28	37.1 1.461	40.0 1.575	100.0 3.937	1 5/8" x 18 UNEF	1 7/16" x 18 NEF	58.0 2.283	48.0 1.89	43.3 1.705	19.23 0.757	7.0 0.276
32	43.1 1.697	45.0 1.772	110.0 4.331	1 7/8" x 16 UN	1 3/4" x 18 NS	66.0 2.598	54.0 2.13	51.7 2.035	23.98 0.944	7.0 0.276
36	45.9 1.807	50.0 1.969	110.0 4.331	2 1/16" x 16 UNS	2" x 18 NS	69.0 2.717	61.0 2.40	58.0 2.283	31.93 1.257	7.0 0.276
40	49.0 1.929	54.6 2.149	100.0 3.937	2 5/16" x 16 UN	2 1/4" x 16 UN	85.5 3.366	67.0 2.64	65.0 2.56	35.1 1.38	7.0 0.276

ABBMS

90° Outlet RFI Shielded - Accessory Type FM

Style: ABB-**-**-FM



Metric Imperial

How to order: **ABB - ** - ** - FM**
 Shell size ————
 Contact arrangement ————
 Typical Example: **ABB - 10SL - 3 - FM**
 (includes grommet)

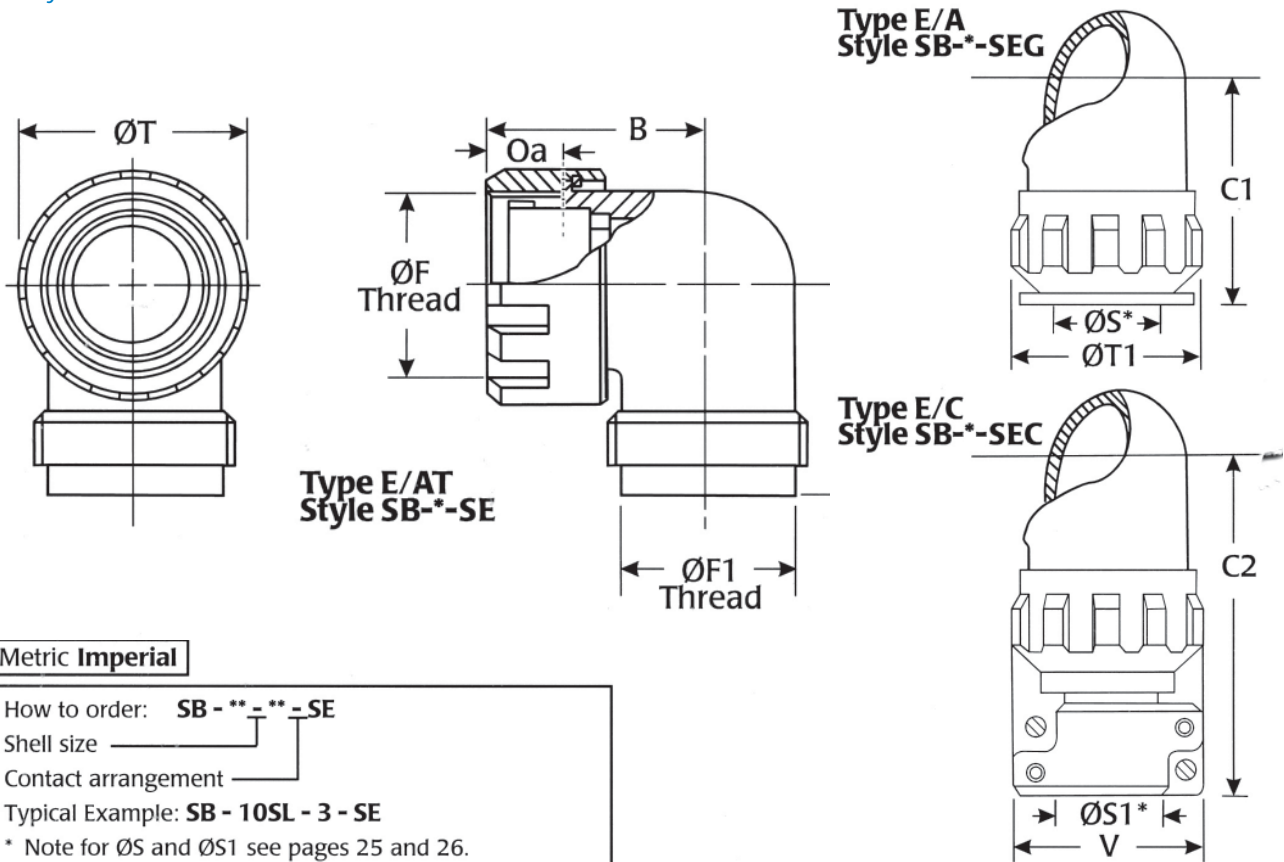
Shell size	ØF Thread dia. Class2B	ØA max	B max	C max	D max	ØT max	O _a min overlap accessory
10 SL	5/8" x 24 UNEF	15.9 0.626	24.0 0.945	30.0 1.181	7.77 0.306	22.0 0.866	7.0 0.276
14 S	3/4" x 20 UNEF	19.1 0.764	25.0 0.984	30.0 1.181	10.36 0.408	25.0 0.984	7.0 0.276
16 S	7/8" x 20 UNEF	22.3 0.878	27.0 1.063	30.0 1.181	13.01 0.512	28.0 1.102	7.0 0.276
16	7/8" x 20 UNEF	22.3 0.878	27.0 1.063	30.0 1.181	13.01 0.512	28.0 1.102	7.0 0.276
18	1" x 20 UNEF	25.5 1.004	30.1 1.224	35.0 1.378	15.14 0.596	31.0 1.220	7.0 0.276
20	1 1/8" x 18 UNEF	30.2 1.189	33.0 1.299	35.0 1.378	18.10 0.713	35.0 1.378	7.0 0.276
22	1 1/4" x 18 UNEF	30.2 1.189	33.1 1.303	35.0 1.378	21.62 0.851	38.0 1.496	7.0 0.276
24	1 3/8" x 18 UNEF	36.6 1.441	37.9 1.492	40.0 1.575	25.10 0.988	41.0 1.614	7.0 0.276
28	1 5/8" x 18 UNEF	36.6 1.441	37.1 1.461	40.0 1.575	30.38 1.196	48.0 1.890	7.0 0.276
32	1 7/8" x 16 UN	44.5 1.752	43.1 1.697	45.0 1.772	36.48 1.436	54.0 2.126	7.0 0.276
36	2 1/16" x 16 UNS	50.9 2.004	45.9 1.807	50.0 1.969	40.67 1.601	61.0 2.402	7.0 0.276
40	2 5/16" x 16 UN	57.2 2.252	49.0 1.929	54.6 2.150	48.50 1.909	67.0 2.638	7.0 0.276

ABBMS

90° Angled Outlets - Accessory Type E/AT, E/A, E/AC (5MS locking)

Styles: SB-**-**-SE/SB-**-**-SEG/SB-**-**-SEC

BS Styles: A2348/A2357/A2358



Metric Imperial

How to order: SB - ** - ** - SE

Shell size _____

Contact arrangement _____

Typical Example: SB - 10SL - 3 - SE

* Note for ØS and ØS1 see pages 25 and 26.

Shell size	B max	C max	C1 max	C2 max	ØF Thread Ø Class2B	ØT max	ØT1 max	V max	O _{min} overlap accessory	ØF1 Thread Ø Class2A
10 SL	25.88 1.019	23.6 0.928	35.41 1.394	43.99 1.732	5/8" x 24 UNEF	24.7 0.973	21.59 0.850	21.47 0.845	5.1 0.200	5/8" x 24 UNEF
14 S	26.72 1.052	26.4 1.040	36.83 1.450	47.62 1.875	3/4" x 20 UNEF	27.1 1.067	24.77 0.975	24.64 0.970	5.1 0.200	3/4" x 20 UNEF
16 S	28.17 1.109	27.9 1.097	38.28 1.507	49.02 1.930	7/8" x 20 UNEF	29.46 1.160	28.7 1.130	28.7 1.130	5.1 0.200	7/8" x 20 UNEF
16	28.17 1.109	27.9 1.097	38.28 1.507	49.02 1.930	7/8" x 20 UNEF	29.46 1.160	28.7 1.130	28.7 1.130	7.6 0.300	7/8" x 20 UNEF
18	38.0 1.496	32.4 1.276	42.7 1.681	61.47 2.420	1" x 20 UNEF	31.88 1.255	31.88 1.255	31.88 1.255	7.6 0.300	1" x 20 UNEF
20	39.52 1.556	35.7 1.407	46.02 1.812	64.82 2.552	1 1/8" x 18 UNEF	34.24 1.348	34.92 1.375	35.06 1.380	7.6 0.300	1 1/8" x 18 UNEF
22	40.36 1.589	37.13 1.462	47.42 1.867	66.22 2.607	1 1/4" x 18 UNEF	37.44 1.474	38.23 1.505	38.23 1.505	7.6 0.300	1 1/4" x 18 UNEF
24	44.81 1.764	38.8 1.530	49.15 1.935	67.95 2.675	1 3/8" x 18 UNEF	40.59 1.598	41.40 1.630	41.40 1.630	7.6 0.300	1 3/8" x 18 UNEF
28	45.19 1.779	41.7 1.642	52.25 2.057	70.79 2.787	1 5/8" x 18 UNEF	46.96 1.849	47.76 1.880	47.76 1.880	7.6 0.300	1 5/8" x 18 UNEF
32	50.57 1.991	44.8 1.762	15.17 2.172	73.96 2.912	1 7/8" x 16 UN	53.31 2.099	54.10 2.130	54.10 2.130	7.6 0.300	1 7/8" x 16 UNEF
* 36	52.73 2.076	47.0 1.852	57.66 2.270	57.66 2.270	2" x 18 UNS	59.41 2.339	58.67 2.310	58.75 2.313	7.6 0.300	2" x 18 UNS

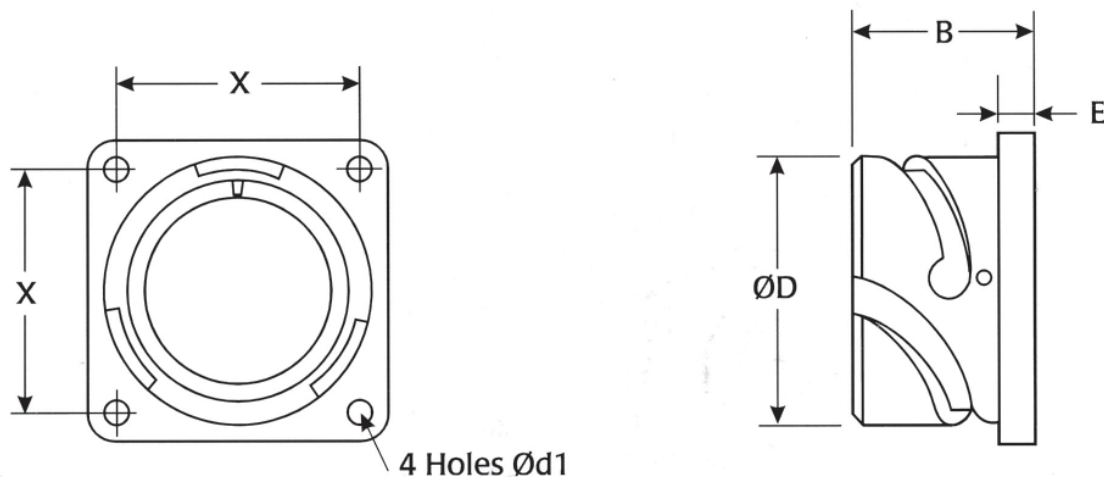
* Consult factory for connector shell to accommodate 2" x 18 UNS mating thread.

ABBMS

Stowage Receptacle

Style: ABB-**-**-SX

BS Style: A2541

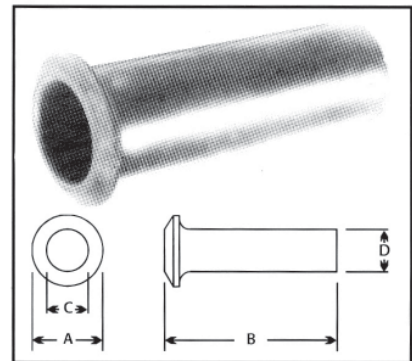
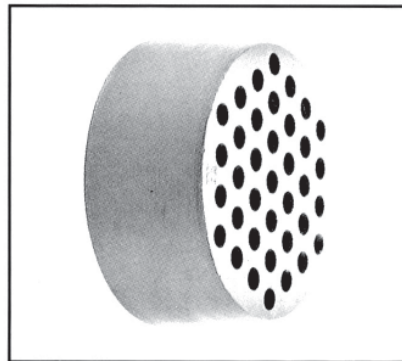
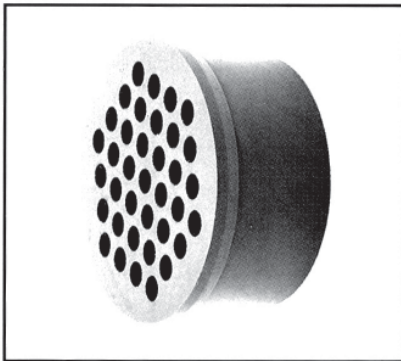


Metric Imperial

Part number	B max	C max	ØD max	Ød1 min	E max	X
ABB-10SL-SX	17.6 0.693	25.7 1.012	18.2 0.717	3.2 0.126	3.0 0.118	18.2 0.717
ABB-14S-SX	18.0 0.709	30.3 1.193	24.6 0.969	3.2 0.126	3.4 0.134	23.1 0.909
ABB-16S-SX	18.0 0.709	32.8 1.291	27.4 1.079	3.2 0.126	3.4 0.134	24.6 0.969
ABB-16-SX	22.8 0.898	32.8 1.291	27.4 1.079	3.2 0.126	3.4 0.134	24.6 0.969
ABB-18-SX	23.6 0.929	35.3 1.390	30.8 1.213	3.2 0.126	4.2 0.165	27.0 1.063
ABB-20-SX	23.6 0.929	38.3 1.508	34.2 1.346	3.2 0.126	4.2 0.165	29.4 1.157
ABB-22-SX	23.6 0.929	41.3 1.626	37.4 1.472	3.2 0.126	4.2 0.165	31.8 1.252
ABB-24-SX	25.2 0.992	44.8 1.764	40.9 1.610	3.7 0.146	4.2 0.165	34.9 1.374
ABB-28-SX	25.2 0.992	51.1 2.012	46.7 1.838	3.7 0.146	4.2 0.165	39.7 1.563
ABB-32-SX	26.8 1.055	57.3 2.256	53.4 2.102	4.3 0.169	4.2 0.165	44.5 1.752
ABB-36-SX	26.8 1.055	63.8 2.512	59.6 2.346	4.3 0.169	4.2 0.165	49.2 1.937
ABB-40-SX	26.8 1.055	70.2 2.763	65.5 2.579	4.3 0.169	4.2 0.165	55.5 2.185

ABBMS

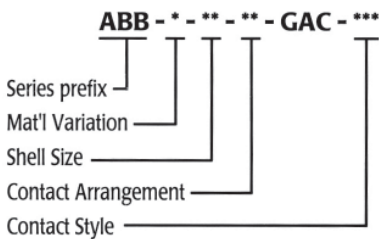
Wire Seal Grommets & Bushing



Grommets

ABB style used with accessory classes: D, E/V, F, FT, G, GG, GS, H, H/C, JE, M, L, M, R & SM.

How to order:



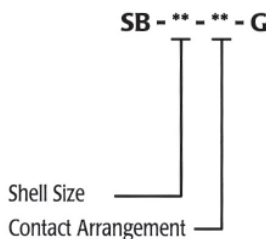
Example: ABB-H-28-11-GAC-F80

Series Prefix: **ABB**, approved to BS9522 F0032 & VG95234.
 Mat'l Variation: **H**, low halogen material, leave blank for standard.
 Shell size: **28**.
 Contact arrangement: **11**
 Contact Style: **F80**, leave blank for VG95234 style contacts.

Grommets

SBMS style used with accessory classes: E, E/C, E/MC, E/A, E/AT & E/AC only

How to order:



Consult factory for availability of low halogen material.

Shell size	Bushing	A	B	C	D
		±0.178 0.007	±0.178 0.007	±0.178 0.007	±0.178 0.007
10 SL	SB-MS 554/1	12.83 0.505	69.85 2.750	5.59 0.220	7.62 0.300
14 S	SB-MS 554/2	15.88 0.625	66.68 2.625	7.92 0.312	10.8 0.425
16 S	SB-MS 554/3	19.05 0.750	63.5 2.500	11.1 0.437	13.97 0.550
16	SB-MS 554/3	19.05 0.750	63.5 2.500	11.1 0.437	13.97 0.550
18	SB-MS 554/4	22.23 0.875	60.33 2.375	14.27 0.562	15.57 0.613
20	SB-MS 554/5	25.4 1.000	57.15 2.250	15.88 0.625	18.75 0.738
22	SB-MS 554/6	28.58 1.125	57.15 2.250	15.88 0.625	18.75 0.738
24	SB-MS 554/7	31.75 1.250	53.98 2.125	19.05 0.750	23.50 0.925
28	SB-MS 554/8	38.23 1.505	53.98 2.125	19.05 0.750	23.50 0.925
32	SB-MS 554/9	44.45 1.750	50.80 2.000	23.80 0.937	31.45 1.238
36	SB-MS 554/10	47.88 1.885	47.63 1.875	31.75 1.250	34.62 1.363
40	SB-MS 554/11	52.9 2.083	44.4 1.748	34.92 1.375	40.99 1.614

Metric Imperial

F80 Contact sizes	Wire insulation limits	
	Min O/D	Max O/D
16	1.52 0.06	2.80 0.110
12	2.1 0.083	3.61 0.142
100	7.0 0.276	10.0 0.394
160	8.18 0.322	11.0 0.433
500	14.0 0.551	16.0 0.630

Metric Imperial

VG & SB MS Contact sizes	Wire insulation limits	
	Min O/D	Max O/D
20	1.52 0.06	2.16 0.085
16	1.68 0.066	2.77 0.109
12	2.46 0.097	3.61 0.142
100	4.34 0.171	5.48 0.216
160	7.00 0.276	8.18 0.322

The bushings are used with accessory types D, E/MC, F, and H/C. They can be fitted inside one another to reduce the cable entry diameter to improve clamping and sealing.

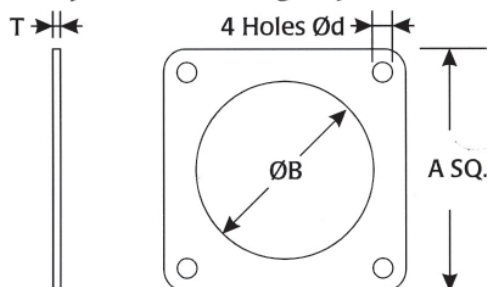
Note: To order low halogen material, add 'H' to part number: ie SBMS H 554/11 for size 40.

ABBMS Panel Sealing Gaskets

Front Mounted Receptacle

AB Part Number: SB - ** - RPG

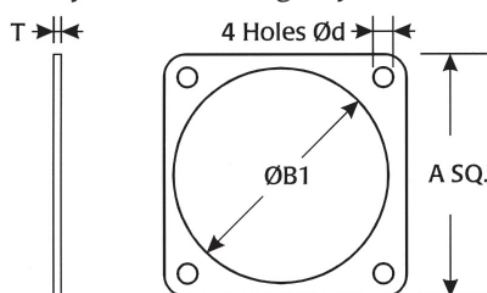
BS Style: A2765 Sealing only.



Rear Mounted Receptacle

AB Part Number: SB - ** - FPG

BS Style: A2767 Sealing only.

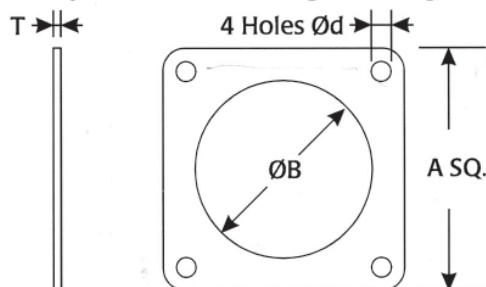


ABBMS Panel Sealing Gaskets RFI Conductive Screening

Front Mounted Receptacle

AB Part Number: SB - ** - RPGS

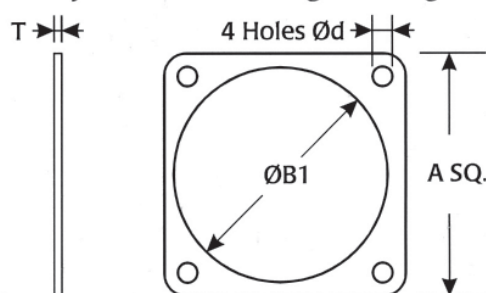
BS Style: A2766 Screening & Sealing.



Rear Mounted Receptacle

AB Part Number: SB - ** - FPGS

BS Style: A2768 Screening & Sealing.



Metric Imperial

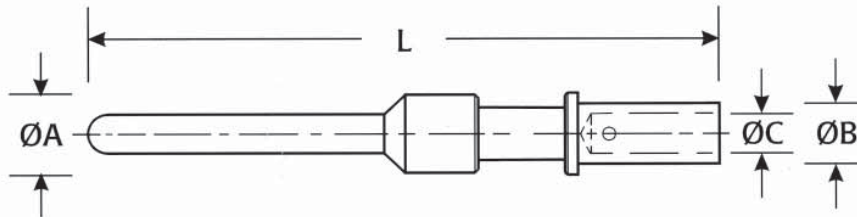
Shell size **	A min	ØB Nominal	ØB1 Nominal	Ød Nominal	T Nominal
10 SL	25.4 1.000	15.88 0.625	18.3 0.720	3.43 0.135	1.0 0.040
14 S	3.2 1.188	19.0 0.750	24.7 0.972	3.43 0.135	1.0 0.040
16 S	32.5 1.280	22.2 0.875	27.5 1.083	3.43 0.135	1.0 0.040
16	32.5 1.280	22.2 0.875	27.5 1.083	3.43 0.135	1.0 0.040
18	34.9 1.375	25.4 1.000	30.9 1.217	3.43 0.135	1.0 0.040
20	38.1 1.500	28.6 1.125	34.3 1.350	3.43 0.135	1.0 0.040
22	41.3 1.625	31.7 1.250	37.5 1.476	3.43 0.135	1.0 0.040
24	44.5 1.750	34.9 1.375	41.0 1.614	4.12 0.162	1.0 0.040
28	50.8 2.000	41.3 1.625	46.8 1.843	4.12 0.162	1.0 0.040
32	57.2 2.250	47.6 1.875	53.5 2.106	4.78 0.188	1.0 0.040
36	63.5 2.500	52.6 2.071	59.7 2.350	4.78 0.188	1.0 0.040
40	69.9 2.75	61.9 2.44	65.5 2.58	5.1 2.01	1.0 0.040

Metric Imperial

Shell size **	A min	ØB Nominal	ØB1 Nominal	Ød Nominal	T Nominal
10 SL	25.4 1.000	15.88 0.625	18.3 0.720	4.2 0.165	1.0 0.040
14 S	30.2 1.188	22.1 0.870	24.7 0.972	4.2 0.165	1.0 0.040
16 S	32.5 1.280	25.3 0.996	27.5 1.083	4.2 0.165	1.0 0.040
16	32.5 1.280	25.3 0.996	27.5 1.217	4.2 0.165	1.0 0.040
18	34.9 1.375	28.4 1.118	30.9 1.217	4.2 0.165	1.0 0.040
20	38.1 1.500	31.6 1.244	34.3 1.350	4.2 0.165	1.0 0.040
22	41.3 1.625	34.8 1.370	37.5 1.476	4.2 0.165	1.0 0.040
24	44.5 1.750	38.0 1.496	41.0 1.614	4.2 0.165	1.0 0.040
28	50.8 2.000	44.3 1.744	46.8 1.843	5.1 0.201	1.0 0.040
32	57.2 2.250	50.7 1.996	53.5 2.106	5.1 0.201	1.0 0.040
36	63.5 2.500	57.0 2.244	59.7 2.350	5.1 0.201	1.0 0.040
40	69.9 2.75	61.9 2.44	65.5 2.58	5.1 2.01	1.0 0.040

ABBMS

VG 95234 Style Crimp Contacts Pin



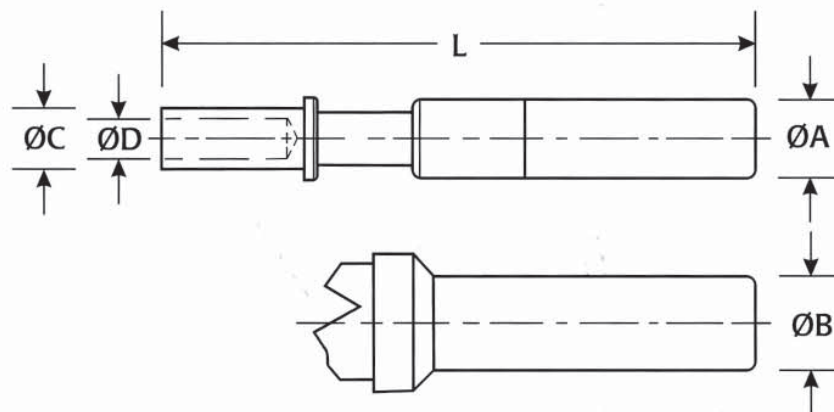
Metric Imperial

Contact size AWG (Metric)	Part number	$\varnothing A$	$\varnothing B$	$\varnothing C$	Conductor CSA mm ²	L
20 (10)	ABB-20-KPK	2.0 0.079	2.4 0.094	1.5 0.059	0.75/1.0 0.030/0.039	28.4 1.119
16 S (15S)	ABB-16S-KPK	3.2 0.126	2.75 0.108	1.75 0.069	1.0/1.5 0.039/0.059	27.4 1.078
16 (15)	ABB-16-KPK	3.2 0.126	2.75 0.108	1.75 0.069	1.0/1.5 0.039/0.059	31.4 1.236
12/16	ABB-12/16-KPK	4.8 0.189	3.8 0.150	1.75 0.069	1.0/1.5 0.039/0.059	37.0 1.457
12 (25)	ABB-12-KPK	4.8 0.189	3.8 0.150	2.5 0.098	2.5 0.098	37.0 1.457
(60)	ABB-60-KPK	7.6 0.299	6.8 0.268	3.5 0.138	6.0 0.236	39.6 1.56
8	ABB-8-KPK	7.6 0.299	6.8 0.268	4.55 0.179	9.0 0.354	39.6 1.56
(100)	ABB-100-KPK	7.6 0.299	6.8 0.268	4.8 0.189	10.0 0.394	39.6 1.56
(160)	ABB-160-KPK	11.2 0.441	9.55 0.376	6.2 0.244	16.0 0.623	39.6 1.56
4	ABB-4-KPK	11.2 0.441	9.55 0.376	7.1 0.28	22.0 0.866	39.6 1.56
(500)	ABB-500-KPK	15.15 0.596	14.35 0.565	10.7 0.421	50.0 1.969	41.0 1.614
0	ABB-0-KPK	15.15 0.596	14.35 0.565	11.5 0.453	53.0 2.09	41.0 1.614
0000	ABB-0000-KPK	22.0 0.866	21.3 0.839	16.75 0.659	120.0 4.72	48.0 1.89

The part numbers shown indicate silver plated contacts. For alternative finishes please consult factory.

ABBMS

VG 95234 Style Crimp Contacts Socket



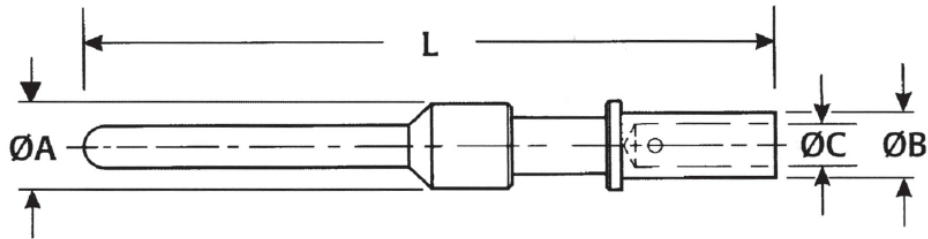
Metric Imperial

Contact size AWG (Metric)	Part number	ØA	ØB	ØC	ØD	Conductor CSA mm ²	L
20 (10)	ABB-20-KSK	2.0 0.079	-	2.4 0.094	1.5 0.059	0.75/1.0 0.030/0.039	36.8 1.445
16 S (15S)	ABB-16S-KSK	3.2 0.126	-	2.75 0.108	1.75 0.069	1.0/1.5 0.039/0.059	29.1 1.146
16 (15)	ABB-16-KSK	3.2 0.126	-	2.75 0.108	1.75 0.069	1.0/1.5 0.039/0.059	37.8 1.488
12/16	ABB-12/16-KSK	4.8 0.189	-	3.8 0.150	1.75 0.069	1.0/1.5 0.039/0.059	37.0 1.457
12 (25)	ABB-12-KSK	4.8 0.189	-	3.8 0.150	2.5 0.098	2.5 0.098	37.0 1.457
(60)	ABB-60-SKSK	7.6 0.299	6.5 0.256	6.8 0.268	3.5 0.138	6.0 0.236	40.1 1.579
8	ABB-8-SKSK	7.6 0.299	6.5 0.256	6.8 0.268	4.55 0.179	9.0 0.354	40.1 1.579
(100)	ABB-100-SKSK	7.6 0.299	6.5 0.256	6.8 0.268	4.8 0.189	10.0 0.394	40.1 1.579
(160)	ABB-160-SKSK	11.2 0.441	8.6 0.339	9.55 0.376	6.2 0.244	16.0 0.623	40.1 1.579
4	ABB-4-SKSK	11.2 0.441	8.6 0.339	9.55 0.376	7.1 0.280	22.0 0.866	40.1 1.579
(500)	ABB-500-SKSK	15.15 0.596	13.2 0.520	14.35 0.565	10.7 0.421	50.0 1.969	41.6 1.638
0	ABB-0-SKSK	15.15 0.596	13.2 0.520	14.35 0.565	11.5 0.453	53.0 2.09	41.6 1.638
0000	ABB-0000-KSK	22.0 0.866	19.15 0.754	21.3 0.839	16.75 0.659	120.0 4.72	48.6 1.913

The part numbers shown indicate silver plated contacts. For alternative finishes please consult factory.

ABBMS

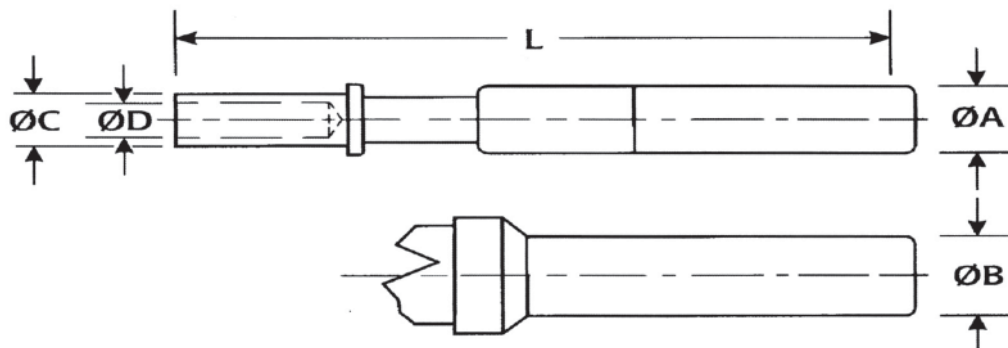
F80 Style Pin Contacts



Contact Size AWG (Metric)	Part Number	ØA	ØB	ØC	Conductor CSA mm ²	L
16S	ABB 6S KPK F80	3.2 0.126	2.75 0.108	1.75 0.069	1.0/1.5 0.039/0.059	26.6 1.047
16/20	ABB 16/20 KPK F80	3.2 0.126	2.65 0.104	1.10 0.043	0.6 0.024	31.75 1.25
16	ABB 16 KPK F80	3.2 0.126	2.75 0.108	1.75 0.069	1.0/1.5 0.039/0.059	31.75 1.25
12/20	ABB 12/20 KPK F80	4.8 0.189	2.65 0.104	1.10 0.043	0.6 0.024	37.5 1.476
12/16	ABB 12/16 KPK F80	4.8 0.189	2.75 0.108	1.75 0.069	1.0/1.5 0.039/0.059	37.5 1.476
12	ABB 12 KPK F80	4.8 0.189	3.8 0.150	2.5 0.098	2.5 0.098	37.5 1.476
12/10	ABB 12/10 KPK F80	4.8 0.189	4.0 0.157	2.7 0.105	4.0 0.157	37.5 1.476
8/10	ABB 8/10 KPK F80	7.8 0.307	5.2 0.205	2.9 0.114	4.0 0.157	40.7 1.602
(100/60)	ABB 100/60 KPK F80	7.8 0.307	5.5 0.217	3.4 0.134	6.0 0.236	40.7 1.602
(100)	ABB 100 KPK F80	7.8 0.307	7.0 0.276	4.4 0.173	10.0 0.394	40.7 1.602
(160)	ABB 160 KPK F80	11.0 0.433	9.45 0.372	5.7 0.224	16.0 0.630	41.25 1.624
(500/160)	ABB 500/160 KPK F80	15.0 0.591	9.45 0.372	5.7 0.224	16.0 0.630	44.5 1.752
(500/250)	ABB 500/250 KPK F80	15.0 0.591	10.0 0.394	7.0 0.276	25.0 0.984	44.5 1.752
(500/350)	ABB 500/350 KPK F80	15.0 0.591	14.35 0.565	9.0 0.354	35.0 1.378	44.5 1.752
(500)	ABB 500 KPK F80	15.0 0.591	14.35 0.565	9.8 0.386	50.0 1.969	44.5 1.752

ABBMS

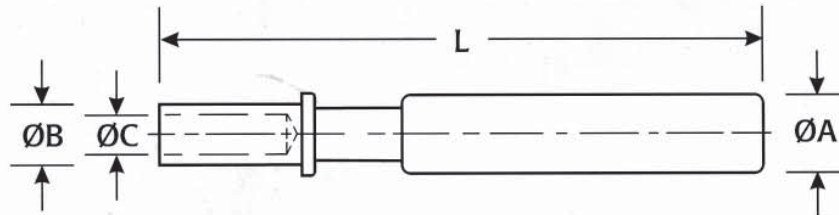
F80 Style Socket Contacts



Contact Size AWG (Metric)	Part Number	ØA	ØB	ØC	ØD	Conductor CSA mm ²	L
16S	ABB 16S KSK F80	3.2 0.126	-	2.75 0.108	1.75 0.069	1.0/1.5 0.039/0.059	26.6 1.047
16/20	ABB 16/20 KSK F80	3.2 0.126	-	2.65 0.104	1.10 0.049	0.6 0.024	36.5 1.437
16	ABB 16 KSK F80	3.2 0.126	-	2.75 0.108	1.75 0.069	1.0/1.5 0.039/0.059	36.5 1.437
12/20	ABB 12/20 KSK F80	4.8 0.189	-	2.65 0.104	1.10 0.049	0.6 0.024	37.5 1.476
12/16	ABB 12/16 KSK F80	4.8 0.189	-	2.75 0.108	1.75 0.069	1.0/1.5 0.039/0.059	37.5 1.476
12	ABB 12 KSK F80	4.8 0.189	-	3.8 0.150	2.5 0.098	2.5 0.098	37.5 1.476
12/10	ABB 12/10 KSK F80	4.8 0.189	-	4.0 0.157	2.7 0.106	4.0 0.157	37.5 1.476
8/10	ABB 8/10 KSK F80	7.8 0.307	6.5 0.256	5.2 0.204	2.9 0.114	4.0 0.157	40.7 1.602
(100/60)	ABB 100/60 KSK F80	7.8 0.307	6.5 0.256	5.5 0.217	3.4 0.134	6.0 0.236	40.7 1.602
(100)	ABB 100 KSK F80	7.8 0.307	6.5 0.256	7.0 0.276	4.4 0.173	10.0 0.394	40.7 1.602
(160)	ABB 160 KSK F80	11.1 0.437	8.6 0.339	9.45 0.372	5.7 0.224	16.0 0.630	41.25 1.624
(500/160)	ABB 500/160 KSK F80	15.1 0.594	13.2 0.52	9.45 0.372	5.7 0.224	16.0 0.630	44.5 1.752
(500/250)	ABB 500/250 KSK F80	15.1 0.594	13.2 0.52	10.0 0.394	7.0 0.276	25.0 0.984	44.5 1.752
(500/350)	ABB 500/350 KSK F80	15.1 0.594	13.2 0.52	14.35 0.565	9.0 0.354	35.0 1.378	44.5 1.752
(500)	ABB 500 KSK F80	15.1 0.594	13.2 0.52	14.35 0.565	9.8 0.386	50.0 1.969	44.5 1.752

ABBMS

VG 95234 Style Crimp Contacts Low Insertion Force Socket



Metric		Imperial				
--------	--	----------	--	--	--	--

Contact size AWG (Metric)	Part number	ØA	ØB	ØC	Conductor CSA mm ²	L
16S	ABB-16S-KLK-P3	3.2 0.126	2.75 0.108	1.75 0.069	1.0/1.5 0.039/0.059	29.1 1.146
16/20	ABB-16/20-KLK-P3	3.2 0.126	2.6 0.102	1.2 0.047	0.6 0.002	37.8 1.488
16	ABB-16-KLK-P3	3.2 0.126	2.75 0.108	1.75 0.069	1.0/1.5 0.039/0.059	37.8 1.488
12/16	ABB-12/16-KLK-P3	4.8 0.189	3.8 0.150	1.75 0.069	1.0/1.5 0.039/0.059	37.0 1.457
12	ABB-12-KLK-P3	4.8 0.189	3.8 0.150	2.5 0.098	2.5 0.098	37.0 1.457

The part numbers shown indicate gold plated contacts. For alternative finishes please consult factory.

ABBMS

Crimp Bucket Adaptors, Dummy Contacts & Grommet Filler Plugs

Crimp bucket adaptors

Part number	Crimp contact size	Wire size
ABB-1622-CBA	16S/16 AWG	22 AWG
ABB-1620-CBA	16S/16 AWG	20 AWG
ABB-1216-CBA	12 AWG	16 AWG
ABB-10012-CBA	100 metric	12 AWG
ABB-812-CBA	8 AWG	12 AWG
ABB-811-CBA	8 AWG	11 AWG
BB-810-CBA	8 AWG	10 AWG
ABB-46-CBA	4 AWG	6 AWG
ABB-460-CBA	4 AWG	6mm ²
ABB-4100-CBA	4 AWG	10mm ²
ABB-4160-CBA	4 AWG	16mm ²
ABB-0500-CBA	0 AWG	50mm ²

Solder contacts

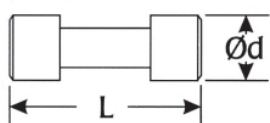
Non-removable silver plated contacts with preloaded solder buckets.

Metric Imperial		
Contact size	Bucket inside dia. (mm) nominal	Max conductor CSA mm ²
20	1.6 0.063	1.0 0.039
16S/16	1.85 0.073	1.5 0.059
12	2.95 0.116	2.5 0.098
8	5.31 0.209	9.0 0.354
4	8.35 0.329	22.0 0.866
0	12.0 0.472	53.0 2.087

Metric Imperial

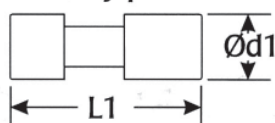
Contact size - ** AWG (Metric)	L max	Ød max	L1 max	Ød1 max	L2 max	Ød2 max	Colour code
20 (10)	9.7 0.382	3.2 0.126	20.4 0.803	2.6 0.102	37.0 1.457	2.6 0.102	Red
16S (15S)	12.3 0.484	3.9 0.154	16.4 0.646	3.2 0.126	28.5 1.122	3.4 0.134	Blue
16 (15)	12.3 0.484	3.9 0.154	20.4 0.803	3.2 0.126	37.0 1.457	3.4 0.134	Blue
12 (25)	12.3 0.484	4.8 0.189	21.4 0.843	4.8 0.189	36.5 1.437	4.8 0.189	Yellow
8 (60/100)	12.3 0.484	6.0 0.236	Dummy contacts not available				White
4 (160)	12.3 0.484	8.7 0.343					Green
0 (500)	12.3 0.484	13.5 0.531					Black

Grommet filler plugs (ABB grommets only)



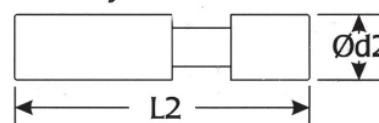
Part No: ABB-**-KFP
BS Style: A2538

Dummy pin



Part No: ABB-**-KDP
BS Style: A2540

Dummy socket



Part No: ABB-**-KDS
BS Style: A2539

ABBMS

Tooling for Crimp Contacts

Insertion Tool

For use with pins and sockets



Contact size AWG (Metric)	Part number
20 (10)	ABB-IT-20
16/16S (15/15S)	ABB-IT-16
12 (25)	ABB-IT-12
8 (60/100)	Tool not required.
4 (160)	
0 (500)	

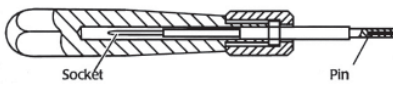
Hand Tools

Contact size AWG (Metric)	Contact part number	Contact type	Hand crimp tool	Locator
20 (10)	* ABB-20-KPK	PIN	MS3191-A or alternative M22520/1-01 Locators for this tool shown in bold type	600219 600325
20 (10)	* ABB-20-KSK	SKT		600219 600325
16 S (15S)	* ABB-16S-KPK	PIN		600093 600324
16 S (15S)	* ABB-16S-KSK	SKT		600094 600325
16 (15)	* ABB-16-KPK	PIN		600091 600324
16 (15)	* ABB-16-KSK	SKT		600092 600325
12 (25)	* ABB-12-KPK	PIN		600302 600324
12 (25)	* ABB-12-KSK	SKT		600216 600325

* AWG - Metric contacts are harmonised as the same part number.

Extraction Tool

For use with pins and sockets



Contact size AWG (Metric)	Part number
20 (10)	ABB-ET-20
16/16S (15/15S)	ABB-ET-16
12 (25)	ABB-ET-12
8 (60/100)	Tool not required.
4 (160)	
0 (500)	

Hydraulic Tools

Contact size AWG (Metric)	Contact part number	Contact type	Hydraulic crimp tool	Die set
8	ABB-8-KPK	PIN	ERMA type 19600	22390
8	ABB-8-SKSK	SKT		22390
(60)	ABB-60-KPK	PIN		22390
(60)	ABB-60-SKSK	SKT		22390
(100)	ABB-100-KPK	PIN		22390
(100)	ABB-100-SKSK	SKT		22390
4	ABB-4-KPK	PIN		22391
4	ABB-4-SKSK	SKT		22391
(160)	ABB-160-KPK	PIN		22391
(160)	ABB-160-SKSK	SKT		22391
0	ABB-0-KPK	PIN		22392
0	ABB-0-SKSK	SKT		22392
500	ABB-500-KPK	PIN		22392
500	ABB-500-SKSK	SKT		22392

Socket contact guide pins

Contact size AWG (Metric)	Part number
20 (10)	ABB-20-SGP
16/16S (15/15S)	ABB-16-SGP
12 (25)	ABB-12-SGP
8 (60/100)	Not required.
4 (160)	
0 (500)	

Global Presence



The world's demand for electronics is increasing as new technologies, with a higher dependence on complex components, are being adopted by a broader customer base. This growth provides TT electronics an assured future as we focus on efforts to deliver excellence in customer service and quality products to these markets. From our strong UK base, the company has achieved truly global reach. We have established technical and manufacturing facilities in strategic countries maintaining the successful formula of close liaison with our customers in all major overseas markets.

In addition, through strategic relationships with Original Equipment Manufacturers around the world, we are now in the enviable position where we gain double benefit - from growth in their markets and from the increase in the electronic content of end products.

Information on TT electronics companies can be found by contacting:-

Head Office:

TT electronics plc
Clive House
12 - 18 Queens Road
Weybridge
Surrey
KT13 9XB
UK

Tel: +44 (0) 1932 841310

Fax: +44 (0) 1932 836450

Email: info@ttelectronics.com

Web: www.ttelectronics.com

X-ON Electronics

Largest Supplier of Electrical and Electronic Components

Click to view similar products for [tt electronics](#) manufacturer:

Other Similar products are found below :

[L083S392LF](#) [L061S391LF](#) [L091S224LF](#) [L061S220LF](#) [BCN164A562J7](#) [62PR25KLF](#) [CHP1501R00FLF](#) [BCN164AB470J7](#) [898-3-R150K](#)
[66XR10](#) [66XR200K](#) [66XR2K](#) [66XR50](#) [67WR1MEG](#) [67WR200KLFTB](#) [67ZR200](#) [68WR5K](#) [68XR2MEG](#) [72PXR10K](#) [72XR2.5K](#) [8109](#)
[82PR25K](#) [84WR10KTR](#) [PWC2512-330RJI](#) [OPB660N](#) [OPB748WZ](#) [OPB842W51Z](#) [OPB870T55](#) [OPI1266](#) [P110KV1-0Y20BR50K](#)
[P170SP1-FC15AR10K](#) [89XHR10K](#) [L083C101](#) [91XR5K](#) [SML100M12MSF](#) [PFC-W0805LF-03-2870-B](#) [2627](#) [CR200L.5](#) [RC07GF220J](#)
[RC55LF-D-196R-B-B](#) [3371R5KL.5](#) [HM00-01800](#) [HM71-10220LFTR](#) [3371R5KL.25](#) [L083C122](#) [W23-330RJI](#) [WH25-47RJI](#) [040585XM](#)
[6679-420-0](#) [OP231](#)