

# ABCIRH

---

## Connectors

Halogen Free Bayonet Lock  
Connector Series



ABCIRH

# Company Profile

TT Electronics' brand AB Connectors specialises in the design, test and manufacture of high performance electronic connectors and interconnect solutions, supplying a range of global customers in aerospace, defence, rail and industrial markets.

Our broad product portfolio which includes miniature connectors, high power connectors, soldier systems, harness assemblies and box systems typically serve within key applications such as signalling, communication and power distribution.



Operating from the principle site in Abercynon, South Wales, our research and development teams have an excellent track record for developing innovative industry solutions and our engineers have extensive experience in designing a range of product configurations to meet customer specific requirements for the most demanding environments.

From plant layout to production line set-up and quick changeover processes, we offer the ideal service, with a flexible manufacturing environment and accredited facilities.

Quality systems and approvals include ISO9001 along with various product and market sector approvals including the military Mil-std 790 and mass transit IRIS certifications and environmental approval to ISO14001. As a result of these qualifications AB Connectors has been awarded several major customer approvals and accreditations.

AB Connectors total commitment to providing customers with high levels of service, cost effectiveness, quality and innovative solutions in interconnection products make it the ideal first choice supply partner.



ABCIRH

# ABCIRH Halogen Free Connectors

The AB Connectors Industrial Range (H - halogen free) is based on the products covered by the American MilC-5015 and the German VG95234 specifications. These connectors are used extensively throughout the mass transportation, entertainment and general industrial markets.

ABCIRH connectors are interchangeable with all corresponding types and feature contact arrangements from Mil-STD-1651. Positive coupling is indicated by an audible 'snap' and by the alignment of three coloured dots on the receptacle and on the coupling nut of the plug connector.

To enhance service life in applications where the connectors are likely to experience severe vibration or repeated mating, ABCIRH connectors feature stainless steel anti-wear pins at the critical point of the receptacle coupling ramps.

In response to safety and environmental requirements, ABCIRH connectors have as standard, low fire hazard/ halogen free rubber insulators which have been independently tested and shown to conform to the requirements of French specification NF F 16-101 classification I2 F1 and to British specification BS 6853 app. A clause A.9 and app. B clause B.5.1. Connector shells can also be supplied with cadmium free plating finishes.

Protection against water and dust ingress is provided by the use of a dynamic seal ring under the coupling nut and by an individual wire seal grommet at the rear of the connector. A wavy washer assembly, also under the coupling nut and a comprehensive range of back shells and accessories, ensure excellent continuity and shielding characteristics between mated connectors where the effects of EMI and RFI must be eliminated.



# Catalogue Index

General Information	2
Electrical Data	3
Part Number Explanation	4
ABCIRH F80 Contact arrangements	5
ABCIRH F80 Contact Arrangement Selection Chart	20
ABCIRH Alternative Insert Orientations	23
F80 Crimp Contacts - Pin	26
F80 Crimp Contacts - Socket	27
F80 Crimp Contacts - Low Insertion Force Socket	28
F80 Coaxial Contacts	29
F80 Twinaxial Contacts	30
Front Mounting Receptacle - ABCIRH00	30
Cable Mounted Receptacle - ABCIRH01	35
Rear Mounting Receptacle - ABCIRH03	38
Size 49 Front Mounting Receptacle - ABCIRH04	43
Size 49 Rear Mounting Receptacle - ABCIRH05	44
Plug - ABCIRH06/SE06	45
Plug, Rubber Covered Coupling Nut -ABCIRHP06	48
Size 49 Plug - ABCIRHP06	51
Through Bulkhead Receptacle - ABCIRH07	52
Rear Mounting Single Hole Receptacle - ABCIRH09	53
Panel Mounted Plug - ABCIRH12A	57
Conduit Adaptor With Braid Screen Trap - Type RM (CRA)	58
Non-Locking Cable Clamp - Type D (OCN)	59
Non-Locking Grommet Nut - Type EV	60
Locking 90o Outlet With Cable Clamp & Bushing - Type F	61
Locking 90o Outlet With Sealed Cable Clamp - Type FC	62
Locking 90o Outlet - Type FT	63
Locking 90o Outlet, RFI - Type FM	64
Locking Heatshrink Adaptor - Type G (HSA)	65
Locking RFI Shielded Adaptor - Type GM (LHSA)	66
Non-Locking Heatshrink Adaptor - Type GS (HSAS)	67
Locking Armoured Conduit Adaptor - Type H (ACA)	68
Locking Cable Clamp With Bushing - Type HC	69
Locking Sealed Cable Clamp - Type HD	70
Non-Locking Cable Clamp With Bushing - Type JE	71
Locking Screened Cable Adaptor - Type M (SCA)	72
Non-Locking Conduit Adaptor - Type R (CCA)	73
Non-Locking Sealed Cable Clamp - Type RC	74
Long Backshell With Cable Clamp & Bushing - Type XLA	75
Long Backshell With Sealed Cable Clamp - Type XLC	76
Long Backshell With Grommet - Type SHE	77
Step Up Adaptor	78
#####	
Step Down Adaptor	80
Screened Shell Extender	81
PG Threaded Adaptors (DIN 40430)	82
Cable Clamp - Type MS3057A	83
Cable Clamp - Type MS3057C	84
Telescopic Bushing	85
Panel Sealing Gaskets	86
Protective Caps	87
Wire Sealing Grommets, Dummy Pins, Sockets & Grommet Filler Plugs	88
Stowage Receptacles	89
Square Flange Receptacle Nut Plates	90
Square Flange Receptacles, Panel Mounting Details	91
Single Hole Mounting Receptacles, Panel Mounting Details	92
Contact Insertion & Extraction Tools	93
Socket Guide Pins	94
F80 Contacts, Crimp & Tooling Data	95
F80 Coax & Twinax Contacts, Crimp & Tooling Data	96
Screen Termination – Braid Sock and Band Ties	97

ABCIRH

# General Information

## Standard Data

### Materials:

Connector metalwork:	Aluminium alloy
Insulator, grommet & bushing:	Low Fire Hazard, rubber
Contacts:	Copper alloy
Accessory hardware:	Aluminium alloy

### Standard Plating Finishes:

Aluminium parts:	Olive drab chromate over cadmium plate or Black Zinc Cobalt (M32) Green Zinc Cobalt (M11) Black Zinc Nickel (M9)
Contacts:	Silver or Gold. *Consult factory for alternative finishes.

### Environmental Ratings:

Temperature range:	-55°C to + 200°C
Shock severity:	75g
Vibration:	5-500 Hz long endurance. 30 hour test at 10g.
Acceleration:	50g.

### Materials:

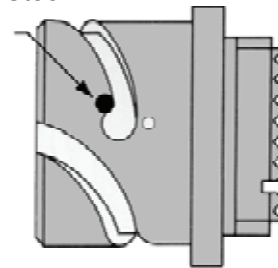
Coupling:	3 pin bayonet.
Number of contacts:	1 to 95
Contact termination:	Crimp, solder or p.c. tail.
Sealing:	Dynamic sealing ring & individual wire seal grommet. When mated and used with appropriate sealed backshell, IP67 rated.

Matings: 2000.

### ABCIRH Connectors:

ABCIRH connectors feature stainless steel pins at critical wear points of the cam tracks of all receptacle shells, to protect from wear inflicted by continuous mating / de-mating and vibration.

### Stainless Steel Wear Pin



Note.  
The company reserves the right and may change or vary specification without prior written notice.

# Electrical Data

## Technical information

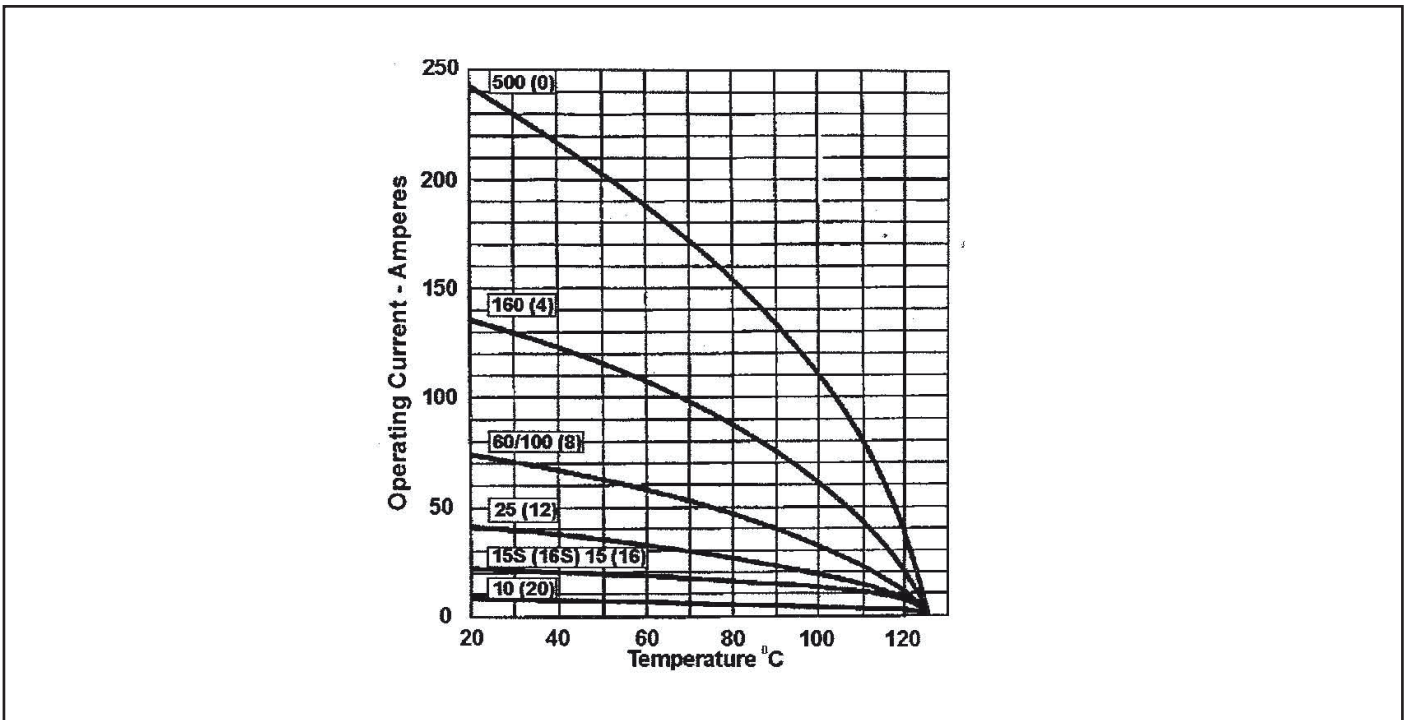
### Contact Current Ratings

AWG	Contact Size		*Maximum Current @20°C (68°F)	*Rated Current @85°C (185°F)	**De-rated Current @85°C (185°F)
	Metric				
16/16S	15/15S		22A	13A	10A
12	25		41A	23A	20A
8	100		73A	46A	42A
4	160		135A	80A	75A
0	500		245A	150A	135A

\* Single contact in isolation

\*\* Grouped contacts

### Contact Current De-Rating Curve



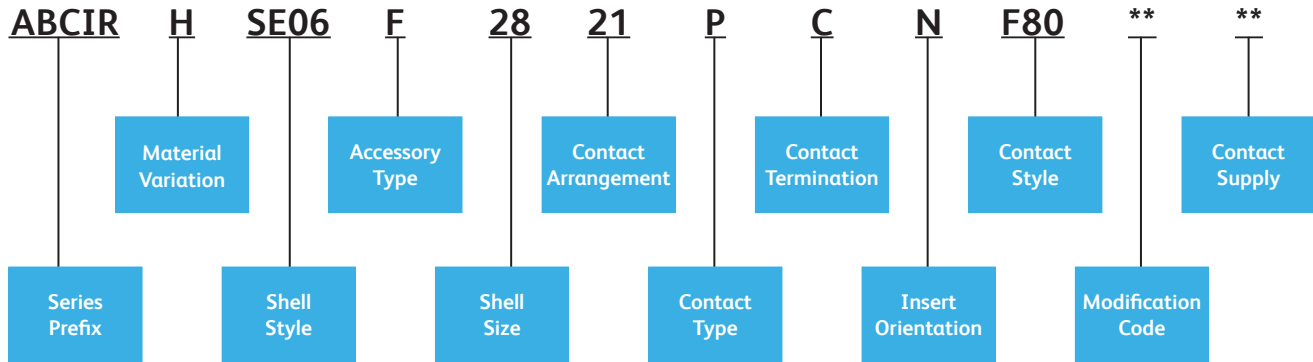
### Contact Arrangement Service Ratings

Service Rating	Sea Level			
	Inst.	A	D	E
Working Voltage DC or AC Peak	350 V	700 V	1,250 V	1,750 V
Voltage Proof AC RMS	1,000 V	2,000 V	2,800 V	3,500 V
Minimum Flashover AC RMS	1,400 V	2,800 V	3,600 V	4,500 V

ABCIRH

# Part Number Explanation

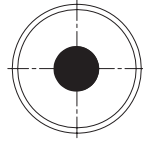
## Part number explanation



Series:	ABCIR			Accessory type:	See relevant catalogue pages.
Material variation:	H	-	Low fire hazard	Shell size	<b>10SL</b> to <b>49</b> .
Shell style:	00	-	4 hole square flange receptacle, front panel mounted.	Contact arrangement:	See pages 5 to 22.
	01	-	Cable mounted receptacle.	Contact type:	<b>P</b> pin, <b>S</b> socket, <b>H</b> pin/socket assembly for bulkhead connector style 07.
	03	-	4 hole square flange receptacle, rear panel mounted.	Contact termination:	<b>C</b> crimp removable, <b>S</b> solder (except for style <b>07</b> no designation in part number).
	06	-	Plug. No RFI grounding.	Insert orientation:	<b>N</b> normal. <b>WXYZ</b> alternative insert positions. See pages 23 to 25.
	P06	-	Plug, rubber covered coupling nut. No RFI grounding.	Contact style:	F80
	SE06	-	Plug with RFI grounding.	Modification codes:	<b>M11</b> Zinc Cobalt Plating with Green passivate finish.
	07	-	Through bulkhead receptacle.		<b>M32</b> Zinc Cobalt Plating with Black passivate finish.
	08	-	Plug with 90° angled outlet. No RFI grounding.		<b>M34</b> Zinc Cobalt Plating with Black passivate finish and tapped mounting Holes
	SE08	-	Plug with 90° angled outlet. RFI grounding.		<b>M35</b> Zinc Cobalt Plating with Green passivate finish and tapped mounting Holes
	09	-	Single hole mounted receptacle.	Contact supply:	<b>M9</b> Black Zinc Nickel Others consult factory
12	-	Panel mounted plug.		Silver plated contacts, no designation. <b>P3</b> gold plated. <b>V0</b> connector supplied without contacts.	

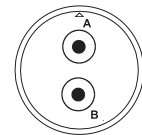
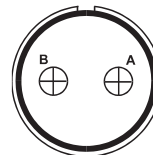
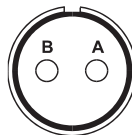
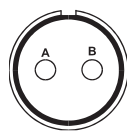
# F80 Contact Arrangements

## 1 Contact

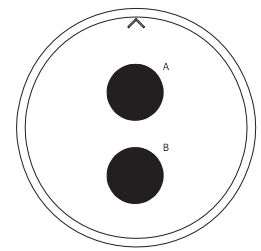
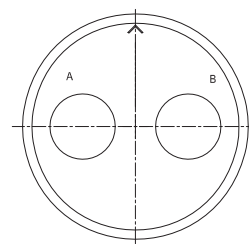
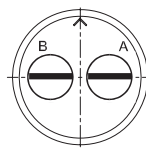
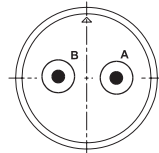


Contact Arrangement	22-7
No. Contacts x Size AWG (Metric)	1 x #0 (500)

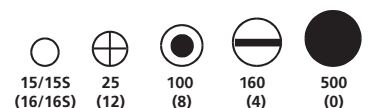
## 2 Contacts



Contact Arrangement	10SL-4	14S-9	18-3	20-23
No. Contacts x Size AWG (Metric)	2 x #16S (15S)	2 x #16S (15S)	2 x #12 (25)	2 x #0 (100)
Service Rating	A	A	D	A



Contact Arrangement	22-1	24-9	28-T2	32-5
No. Contacts x Size AWG (Metric)	2 x #8 (100)	2 x #4 (160)	2 x Co Ax	2 x #0 (500)

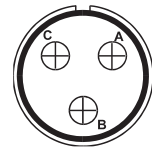
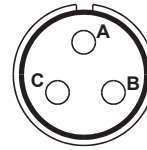
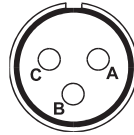
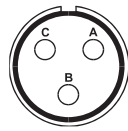




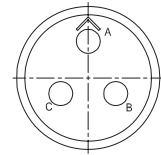
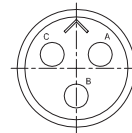
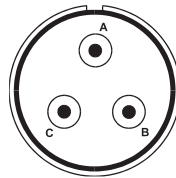
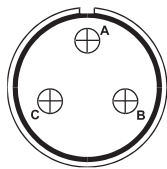
ABCIRH

# F80 Contact Arrangements

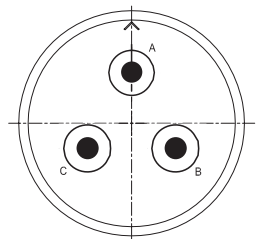
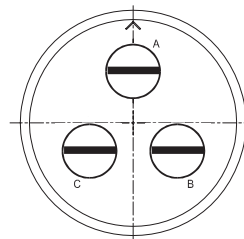
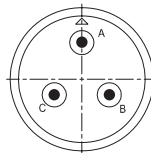
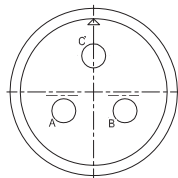
## 3 Contacts



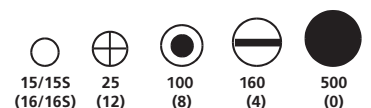
Contact Arrangement	10SL-3	14S-7	16S-5	16-10
No. Contacts x Size AWG (Metric)	3 x #16S (15S)	3 x #16S (15S)	3 x #16S (15S)	3 x #12 (25)
Service Rating	A	A	A	A



Contact Arrangement	20-3	22-2	14S-1	16S-5
No. Contacts x Size AWG (Metric)	3 x #12 (25)	3 x #8 (100)	3 x #16S (15S)	3 x #16S (15S)
Service Rating	D	D		

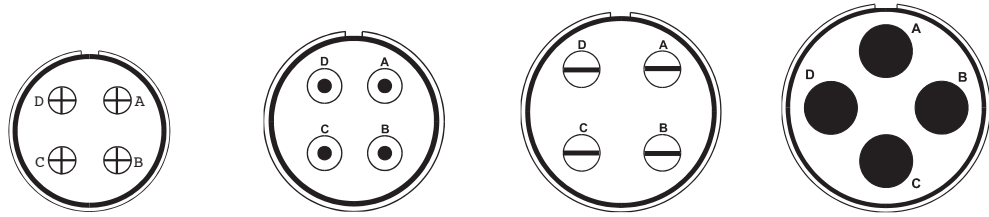


Contact Arrangement	18-22	20-19	28-6	28-3
No. Contacts x Size AWG (Metric)	3 x #16 (15)	3 x #8 (100)	3 x #4 (160)	3 x #8 (100)

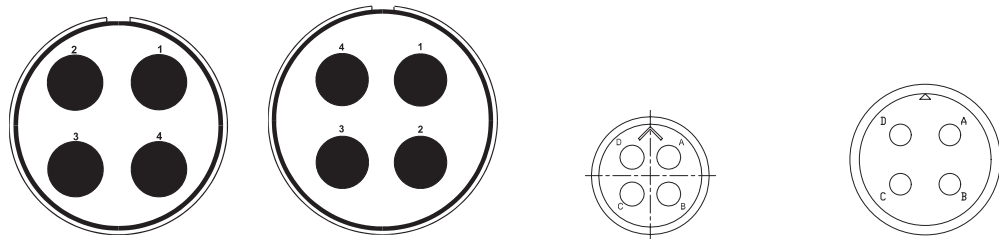


# F80 Contact Arrangements

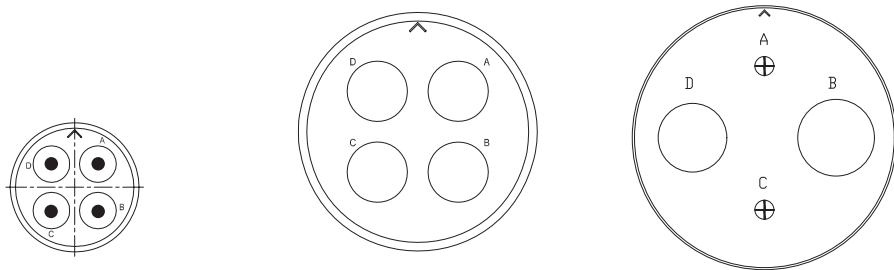
## 4 Contacts



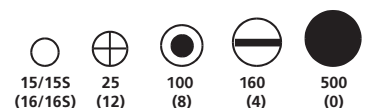
Contact Arrangement	20-4	24-22	32-17	36-5
No. Contacts x Size AWG (Metric)	4 x #12 (25)	4 x #8 (100)	4 x #4 (160)	4 x #0 (500)
Service Rating	D	D	D	A



Contact Arrangement	40-E4	49-A4	14S-2	18-4
No. Contacts x Size AWG (Metric)	4 x #0 (500)	4 x #0 (500)	4 x #16S (15S)	4 x #16 (15)
Service Rating	E	D		



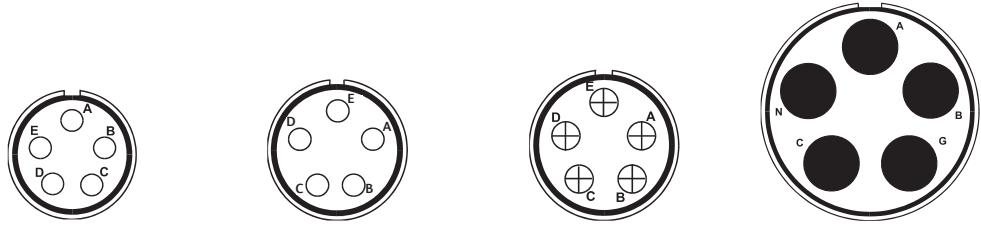
Contact Arrangement	22-22	32-C17	49-D4
No. Contacts x Size AWG (Metric)	4 x #8 (100)	4 x COAX	2 x #0000 2 x #12 (25)



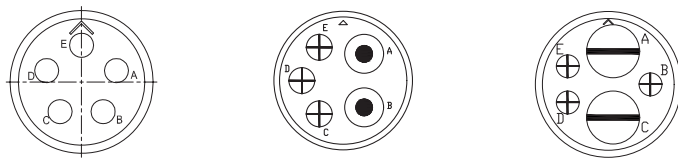
ABCIRH

# F80 Contact Arrangements

## 5 Contacts

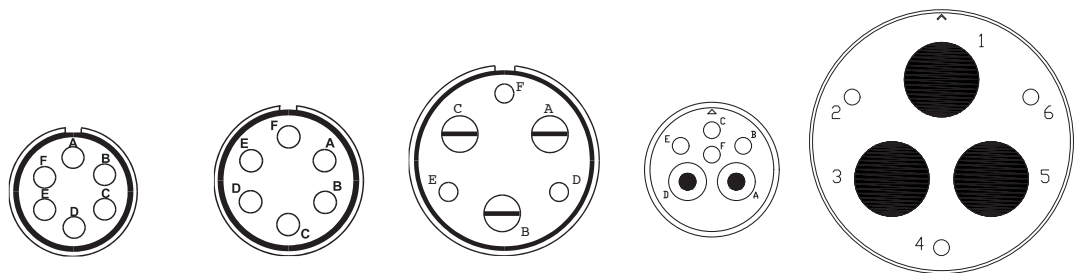


Contact Arrangement	14S-5	16S-8	18-11	40-A5
No. Contacts x Size AWG (Metric)	5 x #16S (15S)	5 x #16S (15S)	5 x #12 (25)	5 x #0 (500)
Service Rating	Inst.	A	A	A

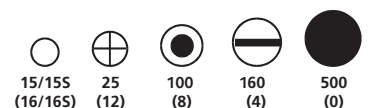


Contact Arrangement	16S-8	20-14	24-12
No. Contacts x Size AWG (Metric)	5 x #16 (15)	3 x #12 (25) 2 x #8 (100)	2 x #4 (160) 3 x #12 (25)

## 6 Contacts

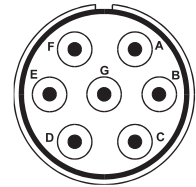
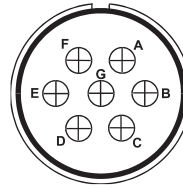
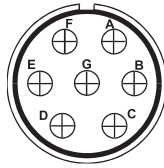
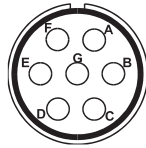


Contact Arrangement	14S-6	18-12	28-22	20-8	40-D6
No. Contacts x Size AWG (Metric)	6 x #16S (15S)	6 x #16 (15)	3 x #16 (15) 3 x #4 (160)	4 x #16 (15) 2 x #8 (100)	3 x #16 (15) 3 x #0 (500)
Service Rating	Inst.	A	D		

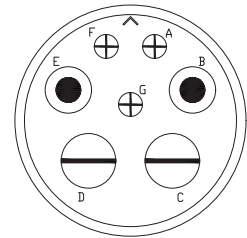
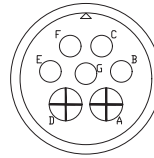
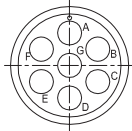
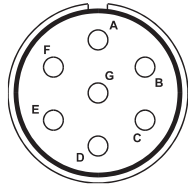


# F80 Contact Arrangements

## 7 Contacts

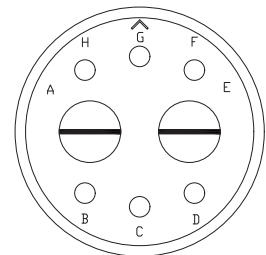
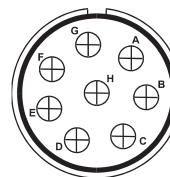
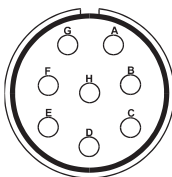
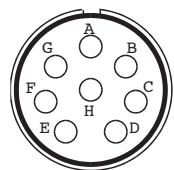


Contact Arrangement	16S-1	20-15	24-2	24-10
No. Contacts x Size AWG (Metric)	7 x #16S (15S)	7 x #12 (25)	7 x #12 (25)	7 x #8 (100)
Service Rating	A	A	D	A

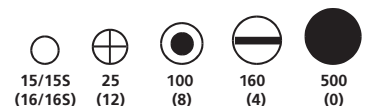


Contact Arrangement	24-27	14S-A7	18-9	28-10
No. Contacts x Size AWG (Metric)	7 x #16 (15)	7 x #16S (15S)	5 x #16 (15) 2 x #12 (25)	3 x #12 (15) 2 x #8 (100) 2 x #4 (160)
Service Rating	A			

## 8 Contacts



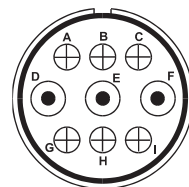
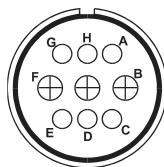
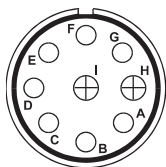
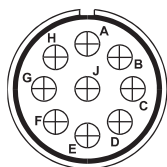
Contact Arrangement	20-7	22-18	22-23	28-8
No. Contacts x Size AWG (Metric)	8 x #16 (15)	8 x #16 (15)	8 x #12 (25)	2 x #4 (160) 6 x #16 (160)
Service Rating	A,B,H,G = D, Balance = A	A,B,F, G,H = D, Balance = A	H = D, Balance = A	



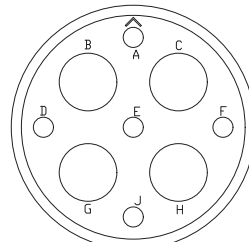
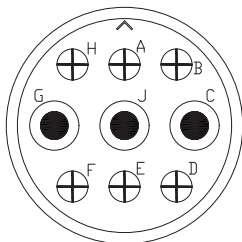
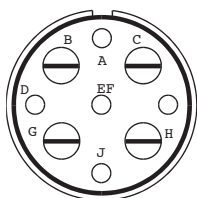
ABCIRH

# F80 Contact Arrangements

## 9 Contacts

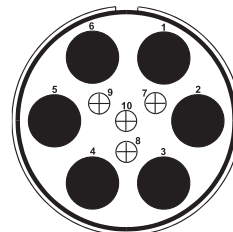
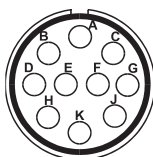
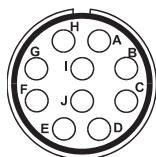


Contact Arrangement	20-A9	20-16	20-18	24-11
No. Contacts x Size AWG (Metric)	9 x #12 (25)	7 x #16 (15) 2 x #12 (25)	6 x #16 (15) 3 x #12 (25)	6 x #12 (25) 3 x #8 (100)
Service Rating	J = D, Balance = Inst.	A	A	

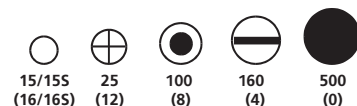


Contact Arrangement	28-A9	28-1	28-T9
No. Contacts x Size AWG (Metric)	4 x #4 (160) 5 x #16 (15)	3 x #8 (100) 6 x #12 (25)	5 x #16 (15) 4 x COAX
Service Rating	A		

## 10 Contacts

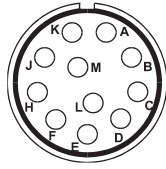


Contact Arrangement	18-1	18-19	49A10
No. Contacts x Size AWG (Metric)	10 x #16 (15)	10 x #16 (15)	4 x #12 (25) 6 x #0 (500)
Service Rating	B,C,F,G = A, Balance = Inst.	A	D



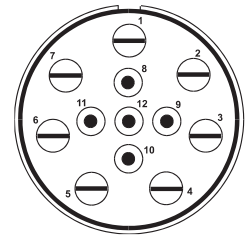
# F80 Contact Arrangements

## 11 Contacts



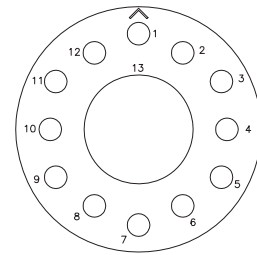
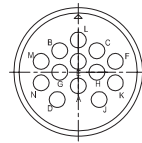
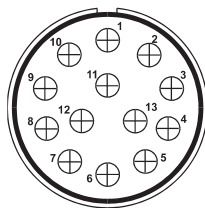
Contact Arrangement	20-33
No. Contacts x Size AWG (Metric)	11 x #16 (15)
Service Rating	A

## 12 Contacts



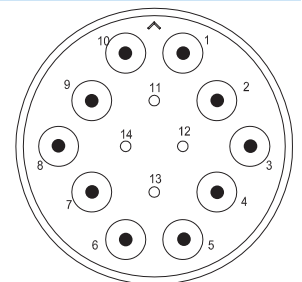
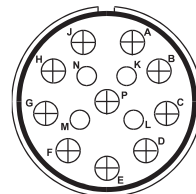
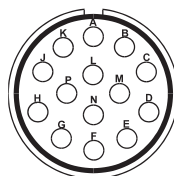
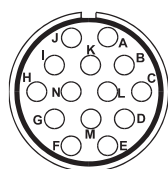
Contact Arrangement	49-A12
No. Contacts x Size AWG (Metric)	5 x #8 (100) 7 x #4 (160)
Service Rating	D

## 13 Contacts

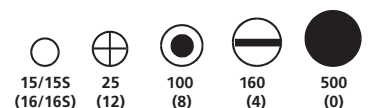


Contact Arrangement 1	32-A13	20-11	28-C1
No. Contacts x Size AWG (Metric)	13 x #12 (25)	13 x #16 (15)	1 x Co Ax 12 x #16 (15)
Service Rating	D		

## 14 Contacts



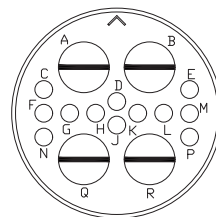
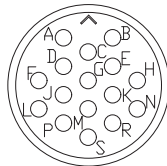
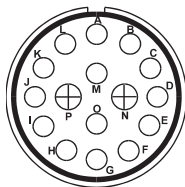
Contact Arrangement	20-27	22-19	28-20	36-D78
No. Contacts x Size AWG (Metric)	14 x #16 (15)	14 x #16 (15)	4 x #16 (15) 10 x #12 (25)	10 x #8 (100) 4 x #16 (15)
Service Rating	A	A	A	



ABCIRH

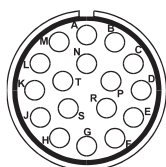
# F80 Contact Arrangements

## 16 Contacts



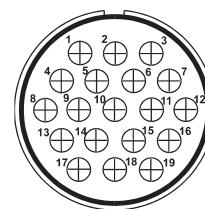
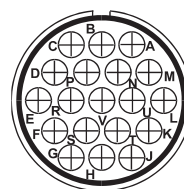
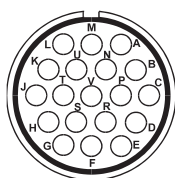
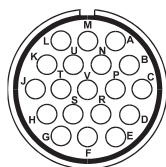
Contact Arrangement	24-7	24-5	32-68
No. Contacts x Size AWG (Metric)	14 x #16 (15) 2 x #12 (25)	16 x #16 (15)	4 x #4 (160) 12 x #16 (15)
Service Rating	A		

## 17 Contacts

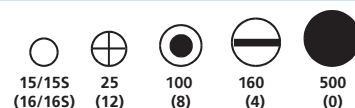


Contact Arrangement	20-29
No. Contacts x Size AWG (Metric)	17 x #16 (15)
Service Rating	A

## 19 Contacts

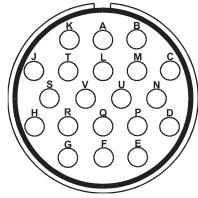


Contact Arrangement	20-A48	22-14	24-67	32-76
No. Contacts x Size AWG (Metric)	19 x #16 (15)	19 x #16 (15)	19 x #12 (25)	19 x #12 (25)
Service Rating	Inst.	A	A	



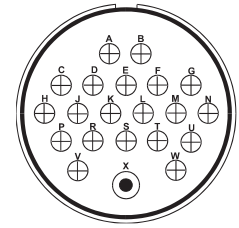
# F80 Contact Arrangements

## 20 Contacts



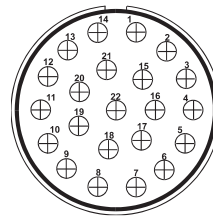
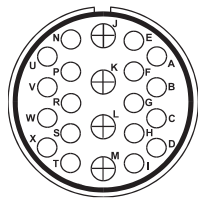
Contact Arrangement	28-16
No. Contacts x Size AWG (Metric)	20 x #16 (15)
Service Rating	A

## 21 Contacts



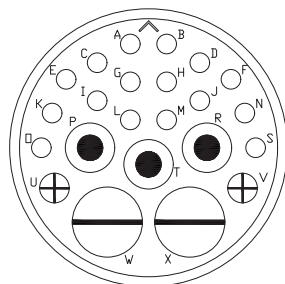
Contact Arrangement	40-D21
No. Contacts x Size AWG (Metric)	20 x #12 (25) 1 x #8 (100)
Service Rating	D

## 22 Contacts



Contact Arrangement	28-11	36-A22
No. Contacts x Size AWG (Metric)	18 x #16 (15) 4 x #12 (25)	22 x #12 (25)
Service Rating	A	

## 23 Contacts

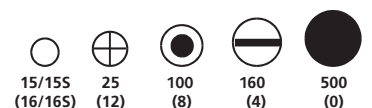


Contact Arrangement	32-6
No. Contacts x Size AWG (Metric)	2 x #4 (160) 3 x #8 (100) 2 x #12 (25) 16 x #16 (15)

## 24 Contacts



Contact Arrangement	24-28
No. Contacts x Size AWG (Metric)	24 x #16 (15)
Service Rating	Inst.

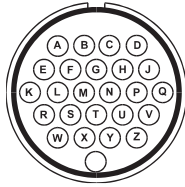




ABCIRH

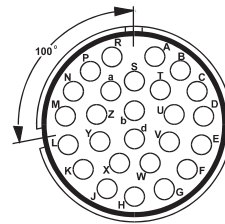
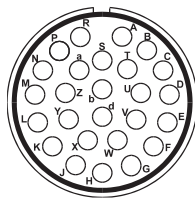
# F80 Contact Arrangements

## 25 Contacts



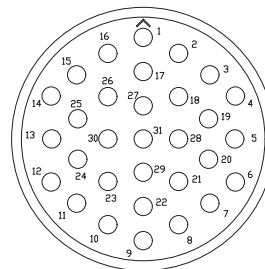
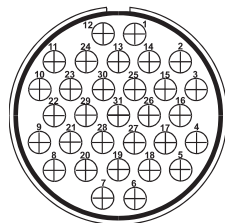
Contact Arrangement	24-A25
No. Contacts x Size AWG (Metric)	25 x #16 (15)
Service Rating	A

## 26 Contacts

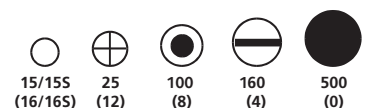


Contact Arrangement	28-12	28-13
No. Contacts x Size AWG (Metric)	26 x #16 (15)	28-12 Rotated by 100° 26 x #16 (15)
Service Rating	A	A

## 31 Contacts

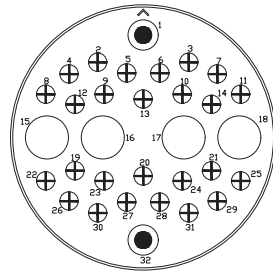


Contact Arrangement	40-A31	32-31
No. Contacts x Size AWG (Metric)	31 x #12 (25)	31 x #16 (15)
Service Rating	D	



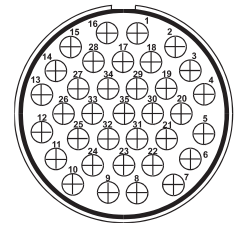
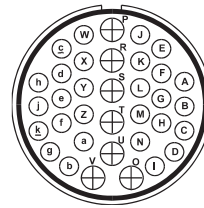
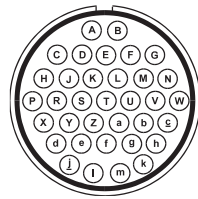
# F80 Contact Arrangements

## 32 Contacts



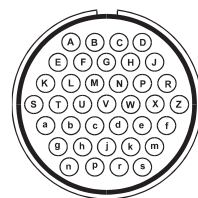
Contact Arrangement	49-D32
No. Contacts x Size AWG (Metric)	26 x #12 (25) 2 x #8 (100) 4 x Coax
Service Rating	D

## 35 Contacts

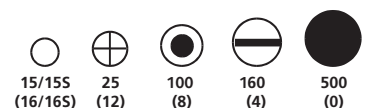


Contact Arrangement	28-15	32-7	40-A35
No. Contacts x Size AWG (Metric)	35 x #16 (15)	28 x #16 (15) 7 x #12 (25)	35 x #12 (25)
Service Rating	A	A,B,H & J = Inst. Balance = A	D

## 37 Contacts



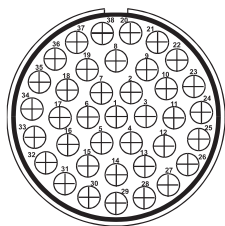
Contact Arrangement	28-21
No. Contacts x Size AWG (Metric)	37 x #16 (15)
Service Rating	A



ABCIRH

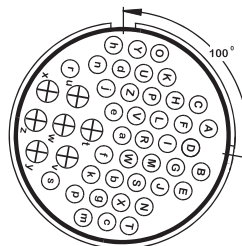
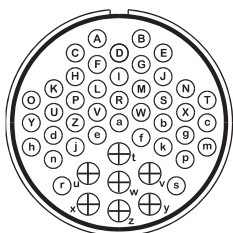
# F80 Contact Arrangements

## 38 Contacts

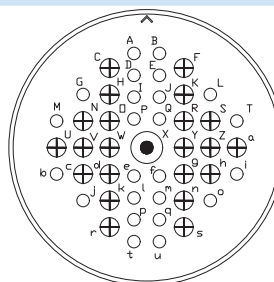
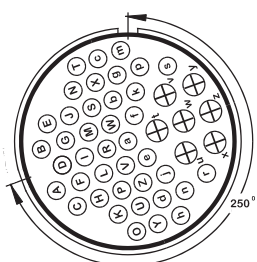


Contact Arrangement	40-A38
No. Contacts x Size AWG (Metric)	38 x #12 (25)
Service Rating	A

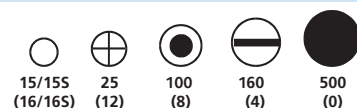
## 47 Contacts



Contact Arrangement	36-7	36-16
No. Contacts x Size AWG (Metric)	40 x #16 (15) 7 x #12 (25)	36-7 Rotated by 100°
Service Rating	A	A

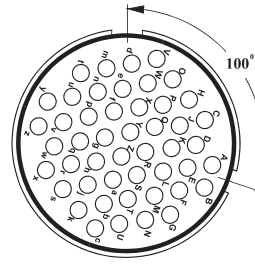
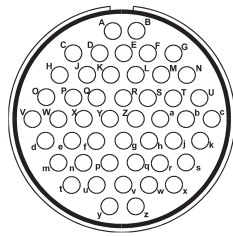


Contact Arrangement	36-17	40-9
No. Contacts x Size AWG (Metric)	36-7 Rotated by 250°	1 x #8 (100) 22 x #12 (25) 24 x #16 (15)
Service Rating	A	

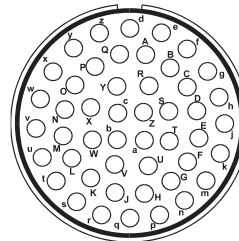
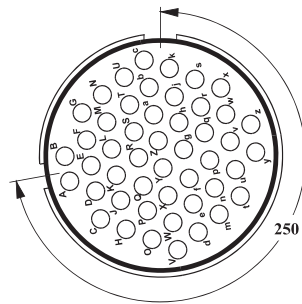


# F80 Contact Arrangements

## 48 Contacts

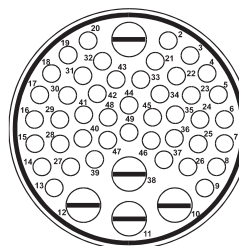
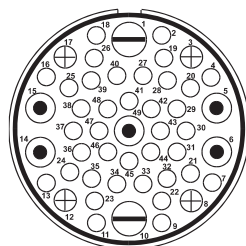


Contact Arrangement	36-10	36-11
No. Contacts x Size AWG (Metric)	48 x #16 (15)	36-10 Rotated by 100°
Service Rating	A	A

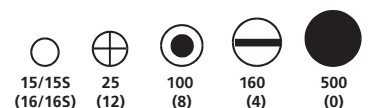


Contact Arrangement	36-12	36-A48
No. Contacts x Size AWG (Metric)	36-10 Rotated by 250°	48 x #16 (15)
Service Rating	A	Inst.

## 49 Contacts



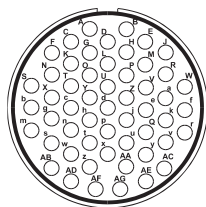
Contact Arrangement	49-A49	49-D1
No. Contacts x Size AWG (Metric)	38 x #16 (15) 4 x #12 (25) 5 x #8 (100) 2 x #4 (160)	44 x #16 (15) 5 x #4 (160)
Service Rating	D	D



ABCIRH

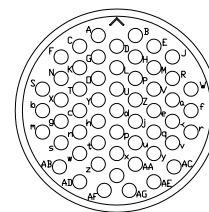
# F80 Contact Arrangements

## 54 Contacts



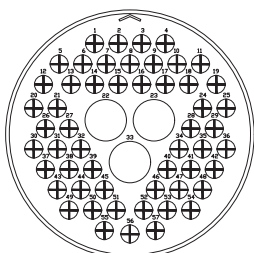
Contact Arrangement	32-22
No. Contacts x Size AWG (Metric)	54 x #16 (15)
Service Rating	A

## 55 Contacts



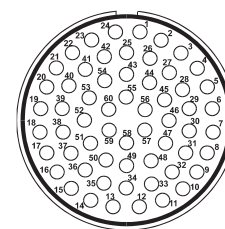
Contact Arrangement	32-A55
No. Contacts x Size AWG (Metric)	55 x #16 (15)

## 57 Contacts



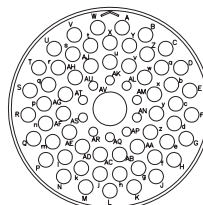
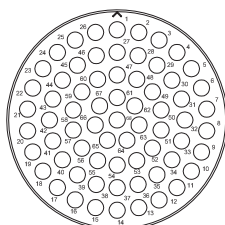
Contact Arrangement	49-A57
No. Contacts x Size AWG (Metric)	54 x #12 (25) 3 x CO-AX

## 60 Contacts

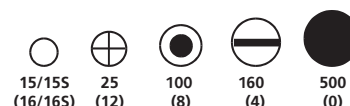


Contact Arrangement	40-A60
No. Contacts x Size AWG (Metric)	60 x #16 (15)
Service Rating	A

## 68 Contacts

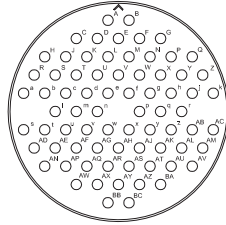


Contact Arrangement	49-A68	49-D68
No. Contacts x Size AWG (Metric)	68 x #12 (25)	57 x #12 (25) 10 x #16 (15) 1 x CO-AX



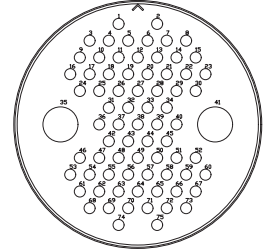
# F80 Contact Arrangements

## 74 Contacts



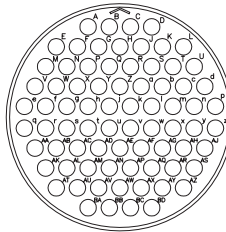
Contact Arrangement	49-74
No. Contacts x Size AWG (Metric)	74 x #16 (15)

## 75 Contacts



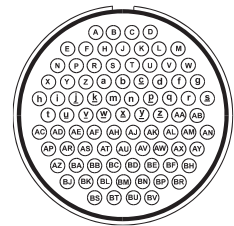
Contact Arrangement	49-D75
No. Contacts x Size AWG (Metric)	73 x #16 (15) 2 x CO-AX

## 76 Contacts



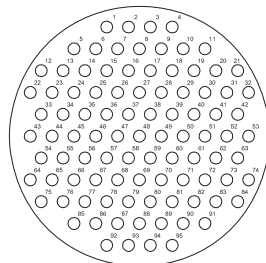
Contact Arrangement	49-A76
No. Contacts x Size AWG (Metric)	76 x #12 (25)

## 85 Contacts

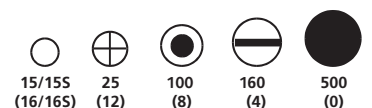


Contact Arrangement	40-56
No. Contacts x Size AWG (Metric)	85 x #16 (15)
Service Rating	A

## 95 Contacts



Contact Arrangement	49-A95
No. Contacts x Size AWG (Metric)	95 x #16 (15)



ABCIRH

# F80 Contact Arrangements

## Selection Chart

### Contact Size AWG (Metric) & Current Rating (Derated) Amps at 85°C

Shell Size	Cont. Arr.	No. of Cts.	16/16S (15/15S)	12 (25)	8 (100)	4 (160)	0 (500)	Shell Orientation	Service Rating
10SL	3	3	3x10A					N	A
10SL	4	2	2x10A					N	A

14S	1	3	3x10A						
14S	2	4	4x10A					NXY	Inst.
14S	5	5	5x10A					NX	Inst.
14S	6	6	6x10A					NW	Inst.
14S	7	3	3x10A					NWXY	A
14S	A7	7	7x10A						
14S	9	2	2x10A					NWXYZ	A

16S	1	7	7x10A					NWZ	A
16S	5	3	3x10A					NWXYZ	A
16S	8	5	5x10A					NXY	A
16	10	3		3x20A				NWXY	A

18	1	10	10x10A					NWXYZ	*A&Inst
18	3	2		2x20A				NWXYZ	D
18	4	4	4x10A					NWXYZ	D
18	9	7	5x10A	2x20A				NWXYZ	Inst.
18	11	5		5x20A				NXY	A
18	12	6	6x10A					NWZ	A
18	19	10	10x10A					NXY	A
18	22	3	3x10A					NWXYZ	A

20	3	3		3x20A				NWXYZ	D
20	4	4		4x20A				NWXY	D
20	7	8	8x10A					NWXYZ	*A&D
20	8	6	4x10A	2x20A				NWXYZ	Inst.
20	A9	9		9x20A				NXY	*D&Inst
20	11	13	13x10A					NWZ	A
20	14	5		3x20A	2x42A			NWXYZ	A
20	15	7		7x20A				NWZ	A
20	16	9	7x10A	2x20A				NWXYZ	A
20	18	9	6x10A	3x20A				NWXYZ	A
20	19	3			3x42A			NWXYZ	A
20	23	2			2x42A			NWXYZ	A
20	27	14	14x10A					NWXYZ	A
20	29	17	17x10A					NWZ	A
20	33	11	11x10A					NZ	A
20	A48	19	19x10A					NXY	Inst

22	1	2			2x42A			NWXYZ	D
22	2	3			3x42A			NWXYZ	D
22	7	1					1x135A		E
22	14	19	19x10A					NWXYZ	A
22	18	8	8x10A					NWXYZ	*A&D
22	19	14	14x10A					NWXYZ	A
22	22	4			4x42A			N	
22	23	8		8X20A				NWY	*A&D

#### \*Contact arrangements/service ratings

18-1 Contacts B, C, F, G = A

Balance = Inst

20-7 Contacts C, D, E, F = A

Balance = D

22-23 Contact H = D

Balance = A

20-A9 Contact J = D

Balance = Inst.

22-18 Contacts A, B, F, G, H = D

Balance = A

# F80 Contact Arrangements

## Selection Chart

### Contact Size AWG (Metric) & Current Rating (Derated) Amps at 85°C

Shell Size	Cont. Arr.	No. of Cts.	16/16S (15/15S)	12 (25)	8 (100)	4 (160)	0 (500)	Shell Orientation	Service Rating
24	2	7		7x20A				NWZ	D
24	5	16	16x10A					NWXYZ	A
24	7	16	14x10A	2x20A				NWXYZ	A
24	9	2				2x75A		NWXYZ	A
24	10	7			7x42A			NWZ	A
24	11	9		6x20A	3x42A			NWXYZ	A
24	12	5		3x20A		2x75A		NWXYZ	A
24	22	4			4x42A			NWXY	D
24	A25	25	25x10A					NWXYZ	A
24	27	7	7x10A					NWZ	E
24	28	24	24x10A					NWXYZ	Inst.
24	67	19		19x20A				NWZ	A

28	1	9		6x20A	3x42A			NWXYZ	A+D
28	C1	13	12x10A			1xCoAx			
28	T2	2				1xCoAx			
28	3	3			3x42A			NWXYZ	E
28	6	3				3x75A		NWXYZ	D
28	8	8	6x10A			2x75A		NWXYZ	A, D+E
28	T9	9	5x10A			4xCoAx			
28	10	7		3x20A	2x42A	2x75A		NWXYZ	A+D
28	11	22	18x10A	4x20A				NWXYZ	A
28	12	26	26x10A					NWXY	A
28	13	26	26x10A					-	A
28	15	35	35x10A					NWXYZ	A
28	16	20	20x10A					NWXYZ	A
28	20	14	4x10A	10x20A				NWXYZ	A
28	21	37	37x10A					NWXYZ	A
28	22	6	3x10A			3x75A		NWXYZ	D
28	A9	9	5x10A			4x75A		NWXYZ	A

32	5	2					2x135A	NWXYZ	D
32	6	23	16x10A	2x20A	3x42A	2x75A		NWXYZ	A
32	7	35	28x10A	7x20A				NWXYZ	*A&Inst
32	A13	13		13x20A				NWXYZ	D
32	17	4				4x75A		NWXY	D
32	C17	4				4xCoAx			
32	22	54	54x10A					NWXYZ	A

\*Contact arrangements/service ratings

32-7 Contacts A, B, H, J = Inst

Balance = A



ABCIRH

# F80 Contact Arrangements

## Selection Chart

### Contact Size AWG (Metric) & Current Rating (Derated) Amps at 85°C

Shell Size	Cont. Arr.	No. of Cts.	16/16S (15/15S)	12 (25)	8 (100)	4 (160)	0 (500)	Shell Orientation	Service Rating
32	31	31	31x10A						
32	A55	55	55x10A					NWXYZ	A
32	68	16	12x10A			4x75A			
32	76	19		19x20A				NWXYZ	A

36	5	4					4x135A	NXY	A
36	7	47	40x10A	7x20A			4x135A	NWXYZ	A
36	10	48	48x10A					NWXYZ	A
36	11	48	48x10A					-	A
36	12	48	48x10A					-	A
36	16	47	40x10A	7x20A				-	A
36	17	47	40x10A	7x20A				-	A
36	A22	22		22x20A				NWXYZ	D
36	A48	48	48x10A					NW	Inst
36	54	39	31x10A	8x42A				NW	A
36	D68	14	4x10A		10x42A				
36	D78	14	4x10A		10x42A				

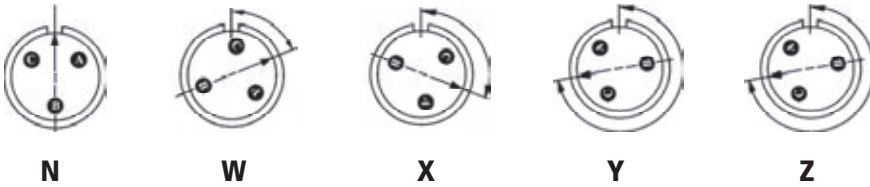
40	A5	5					5x135A	NWZ	A
40	D6	6	3x10A				3x135A		
40	9	47	24x10A	22x20A	1x42A			NWXYZ	A
40	D21	21		20x20A	1x42A			NW	D
40	A31	31		31x20A				NWXYZ	D
40	A35	35		35x20A				NWXYZ	D
40	A38	38		38x20A				NWXYZ	A
40	56	85	85x10A					NWXYZ	
40	A60	60	60x10A					NWXYZ	A
40	E4	4					4x135A	NWX	E

49	D1	49	44x10A			5xCoax		NW	D
49	A4	4					4x135A	NW	D
49	D4	4		2x20A					
49	A10	10		4x20A			6x135A	NWX	D
49	A12	12			5x42A	7x75A		NW	D
49	D32	32		26x20A	2x42A	4xCoax		NW	D
49	A49	49	38x10A	4x20A	5x42A	2xCoax		NW	D
49	A57	57		54x20A					
49	A68	68		68x20A					
49	D68	68	10x10A	57x20A					
49	74	74	74x10A						
49	D75	75	73x10A						
49	A76	76		76x20A					
49	A95	95	95x10A						

# ABCIRH Planforms

## Alternative Insert Orientations

### View on Mating Face Pin Inserts



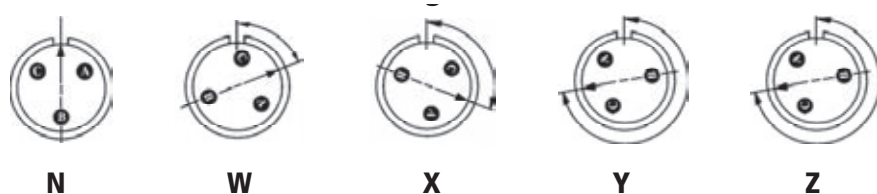
Contact Arrangement	Angular Displacement of Insert				
	N Yellow	W Blue	X Green	Y Purple	Z White
10SL-3	0	-	-	-	-
10SL-4	0	-	-	-	-
14S-1	0				
14S-2	0		120	240	
14S-5	0		110		
14S-6	0	90	-	-	
14S-7	0	90	180	270	
14S-A7	0				
14S-9	0	70	145	215	290
16S-1	0	80	-	-	280
16S-5	0	70	145	215	290
16S-8	0	-	170	265	-
16-10	0	90	180	270	-
18-1	0	70	145	215	290
18-3	0	35	110	250	325
18-4	0	35	110	250	325
18-9	0	80	110	250	280
18-11	0	-	170	265	-
18-12	0	80	-	-	280
18-19	0	-	120	240	-
18-22	0	70	145	215	290
20-3	0	70	145	215	290
20-4	0	45	110	250	-
20-7	0	80	110	250	280
20-8	0	80	110	250	280
20-A9	0	-	110	250	-
20-11	0				
20-14	0	80	110	250	280
20-15	0	80	-	-	280
20-16	0	80	110	250	280
20-18	0	35	110	250	325
20-19	0	90	180	270	
20-23	0	35	110	250	325
20-27	0	35	110	250	325
20-29	0	80	-	-	280
20-33	0	-	-	-	280
20-A48	0	-	80	280	-
22-1	0	35	110	250	325
22-2	0	70	145	215	290
22-7	0				
22-14	0	80	110	250	280

ABCIRH

# ABCIRH Planforms

## Alternative Insert Orientations

### View on Mating Face Pin Inserts



Contact Arrangement	Angular Displacement of Insert				
	N Yellow	W Blue	X Green	Y Purple	Z White
22-18	0	80	110	250	280
22-19	0	80	110	250	280
22-22	0		110	250	
22-23	0	35	-	250	-
24-2	0	80	-	-	280
24-5	0	80	110	250	280
24-7	0	80	110	250	280
24-9	0	35	110	250	325
24-10	0	80	-	-	280
24-11	0	35	110	250	325
24-12	0	80	110	250	280
24-22	0	45	110	250	-
24-A25	0	80	110	250	280
24-27	0	80	-	-	280
24-28	0	80	110	250	280
24-67	0	80	-	-	335
28-1	0	80	110	250	280
28-C1	0				
28-T2	0				
28-3	0	70	145	215	290
28-6	0	70	145	215	290
28-8	0	80	110	250	280
28-T9	0				
28-10	0	80	110	250	280
28-11	0	80	110	250	280
28-12	0	90	180	270	-
28-13	0	-	-	-	-
28-15	0	80	110	250	280
28-16	0	80	110	250	280
28-20	0	80	110	250	280
28-21	0	80	110	250	280
28-22	0	70	145	215	290
28-A9	0	110	250	260	280
32-5	0	80	110	250	325
32-6	0	80	110	250	280
32-7	0	80	125	235	280
32-A13	0	65	130	230	295
32-17	0	45	110	250	-
32-C17	0				
32-22	0	80	110	250	280
32-31	0				

# ABCIRH Planforms

## Alternative Insert Orientations

### View on Mating Face Pin Inserts



Contact Arrangement	Angular Displacement of Insert				
	N Yellow	W Blue	X Green	Y Purple	Z White
32-A55	0	80	110	250	280
32-68	0				
32-76	0	80	110	250	280
36-5	0	-	120	240	-
36-7	0	80	110	250	280
36-10	0	80	125	235	280
36-11	0	-	-	-	-
36-12	0	-	-	-	-
36-16	0	-	-	-	-
36-17	0	-	-	-	-
36-A22	0	80	110	250	280
36-A48	0	65	-	-	-
36-54	0	67	-	-	-
36-D68	0				
40-A5	0	33	-	-	270
40-D6	0				
40-9	0	65	125	225	310
40-D21	0	80	-	-	-
40-A31	0	80	110	250	280
40-A35	0	70	130	230	290
40-A38	0	37	74	285	322
40-56	0	72	144	216	288
40-A60	0	80	110	250	280
40-E4	0	45	110	-	-
49-D1	0	80	-	-	-
49-A4	0	80	-	-	-
49-D4	0				
49-A10	0	80	150	-	-
49-A12	0	80	-	-	-
49-D32	0	80	-	-	-
49-A49	0	80	-	-	-
49-A57	0				
49-A68	0				
49-D68	0				
49-74	0				
49-D75	0				
49-A76	0				
49-A95	0				

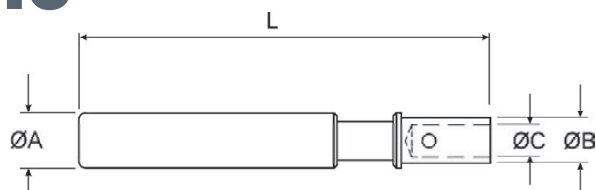
ABCIRH

# F80 Crimp Contacts

## Pin

Metric  
Imperial

For standard gold plating, add P3 to the end of the part number.



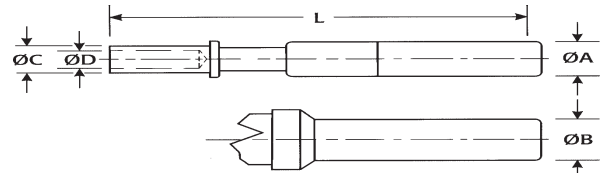
Contact Size AWG (Metric)	Part Number	A	B	C	Conductor CSA mm <sup>2</sup>	L
16S/22	ABB16S/22KPKF80	3,20	2,30	0,90	0,22/0,34	26,60
		<b>0.126</b>	<b>0.091</b>	<b>0.035</b>		<b>1.047</b>
16S/20	ABB16S/20KPKF80	3,20	2,65	1,10	0,50/0,60	26,60
		<b>0.126</b>	<b>0.104</b>	<b>0.043</b>		<b>1.047</b>
16S/18	ABB16S/18KPKF80	3,20	2,30	1,25	0,75/0,93	26,60
		<b>0.126</b>	<b>0.091</b>	<b>0.049</b>		<b>1.047</b>
16S (15S)	ABB16SKPKF80	3,20	2,75	1,75	0,93/1,50	26,60
		<b>0.126</b>	<b>0.108</b>	<b>0.069</b>		<b>1.047</b>
16S/14	ABB16S/14KPKF80	3,20	2,90	1,80	1,94/2,08	26,60
		<b>0.126</b>	<b>0.114</b>	<b>0.071</b>		<b>1.047</b>
16S/12	ABB16S/12KPKF80	3,20	3,80	2,50	2,50/3,00	26,60
		<b>0.126</b>	<b>0.150</b>	<b>0.098</b>		<b>1.047</b>
16/22	ABB16/22KPKF80	3,20	2,30	0,90	0,22/0,34	31,75
		<b>0.126</b>	<b>0.091</b>	<b>0.035</b>		<b>1.250</b>
16/20	ABB16/20KPKF80	3,20	2,65	1,10	0,50/0,60	31,75
		<b>0.126</b>	<b>0.104</b>	<b>0.043</b>		<b>1.250</b>
16/18	ABB16/18KPKF80	3,20	2,30	1,25	0,75/0,93	31,75
		<b>0.126</b>	<b>0.091</b>	<b>0.049</b>		<b>1.250</b>
16 (15)	ABB16KPKF80	3,20	2,75	1,75	0,93/1,50	31,75
		<b>0.126</b>	<b>0.108</b>	<b>0.069</b>		<b>1.250</b>
16/14	ABB16/14KPKF80	3,20	2,90	1,80	1,94/2,08	31,75
		<b>0.126</b>	<b>0.114</b>	<b>0.071</b>		<b>1.250</b>
16/12	ABB16/12KPKF80	3,20	3,80	2,50	2,50/3,00	31,75
		<b>0.126</b>	<b>0.150</b>	<b>0.098</b>		<b>1.250</b>
12/20	ABB12/20KPKF80	4,80	2,65	1,10	0,50/0,60	37,50
		<b>0.189</b>	<b>0.104</b>	<b>0.043</b>		<b>1.476</b>
12/18	ABB12/18KPKF80	4,80	2,30	1,25	0,75/0,93	37,50
		<b>0.189</b>	<b>0.091</b>	<b>0.049</b>		<b>1.476</b>
12/16 (25/15)	ABB12/16KPKF80	4,80	2,75	1,75	0,93/1,50	37,50
		<b>0.189</b>	<b>0.108</b>	<b>0.069</b>		<b>1.476</b>
12/14	ABB12/14KPKF80	4,80	2,90	1,80	1,94/2,08	37,50
		<b>0.189</b>	<b>0.114</b>	<b>0.071</b>		<b>1.476</b>
12 (25)	ABB12KPKF80	4,80	3,80	2,50	2,50/3,00	37,50
		<b>0.189</b>	<b>0.150</b>	<b>0.098</b>		<b>1.476</b>
12/10	ABB12/10KPKF80	4,80	4,40	3,00	5,53	37,50
		<b>0.189</b>	<b>0.173</b>	<b>0.118</b>		<b>1.476</b>
12/40 (25/40)	ABB12/40KPKF80	4,80	4,00	2,70	4,00	37,50
		<b>0.189</b>	<b>0.157</b>	<b>0.106</b>		<b>1.476</b>
8/40 (100/40)	ABB8/40KPKF80	7,80	5,20	2,90	4,00	40,70
		<b>0.307</b>	<b>0.205</b>	<b>0.114</b>		<b>1.602</b>
8/14	ABB8/14KPKF80	7,80	2,90	1,80	1,94/2,08	40,70
		<b>0.307</b>	<b>0.114</b>	<b>0.071</b>		<b>1.602</b>
8/12	ABB8/12KPKF80	7,80	3,80	2,50	2,50	40,70
		<b>0.307</b>	<b>0.150</b>	<b>0.098</b>		<b>1.602</b>
8/10	ABB8/10KPKF80	7,80	5,20	3,30	5,53	40,70
		<b>0.307</b>	<b>0.205</b>	<b>0.130</b>		<b>1.602</b>
8	ABB8KPKF80	7,80	6,80	4,55	9,00	40,70
		<b>0.307</b>	<b>0.268</b>	<b>0.179</b>		<b>1.602</b>
(100/60)	ABB100/60KPKF80	7,80	5,50	3,40	6,00	40,70
		<b>0.307</b>	<b>0.217</b>	<b>0.134</b>		<b>1.602</b>
(100)	ABB100KPKF80	7,80	7,00	4,40	10,00	40,70
		<b>0.307</b>	<b>0.276</b>	<b>0.173</b>		<b>1.602</b>
4/10	ABB4/10KPKF80	11,00	5,20	3,30	5,53	41,25
		<b>0.433</b>	<b>0.205</b>	<b>0.130</b>		<b>1.624</b>
4	ABB4KPKF80	11,00	9,55	7,10	22,00	41,25
		<b>0.433</b>	<b>0.376</b>	<b>0.280</b>		<b>1.624</b>
(160)	ABB160KPKF80	11,00	9,45	5,70	16,00	41,25
		<b>0.433</b>	<b>0.372</b>	<b>0.224</b>		<b>1.624</b>
(160/100)	ABB160/100KPKF86	11,00	7,00	4,40	10,00	40,76
		<b>0.433</b>	<b>0.276</b>	<b>0.173</b>		<b>1.602</b>
0	ABB0KPKF80	15,00	14,35	11,50	53,0	44,50
		<b>0.591</b>	<b>0.565</b>	<b>0.453</b>		<b>1.752</b>
(500/160)	ABB500/160KPKF80	15,00	9,45	5,70	16,00	44,50
		<b>0.591</b>	<b>0.372</b>	<b>0.224</b>		<b>1.752</b>
(500/250)	ABB500/250KPKF80	15,00	10,00	7,00	25,00	44,50
		<b>0.591</b>	<b>0.394</b>	<b>0.276</b>		<b>1.752</b>
(500/350)	ABB500/350KPKF80	15,00	11,90	8,00	35,00	44,50
		<b>0.591</b>	<b>0.468</b>	<b>0.315</b>		<b>1.752</b>
(500)	ABB500KPKF80	15,00	14,35	9,80	50,00	44,50
		<b>0.591</b>	<b>0.565</b>	<b>0.386</b>		<b>1.752</b>

# F80 Crimp Contacts

## Socket

Metric  
Imperial

For standard gold plating, add P3 to the end of the part number.

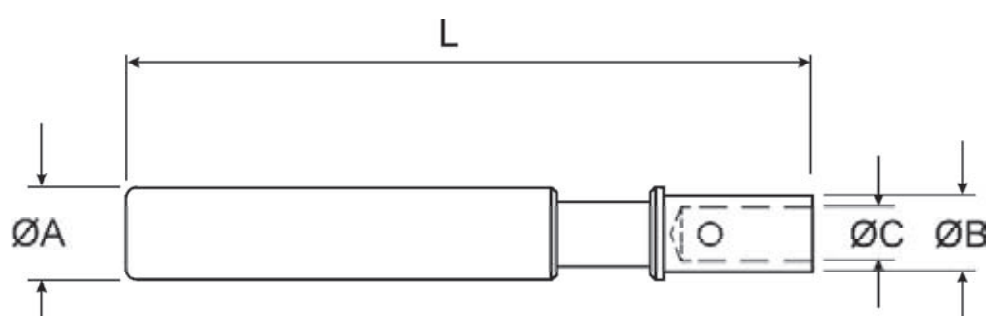


Contact Size AWG (Metric)	Part Number	A	B	C	D	Conductor CSA mm <sup>2</sup>	L
16S/22	ABB16S/22KSKF80	3,20 <b>0.126</b>	-	2,30 <b>0.091</b>	0,90 <b>0.035</b>	0,22/0,34	26,60 <b>1.047</b>
16S/20	ABB16S/20KSKF80	3,20 <b>0.126</b>	-	2,65 <b>0.104</b>	1,10 <b>0.049</b>	0,50/0,60	26,60 <b>1.047</b>
16S/18	ABB16S/18KSKF80	3,20 <b>0.126</b>	-	2,30 <b>0.091</b>	1,25 <b>0.069</b>	0,75/0,93	26,60 <b>1.047</b>
16S (15S)	ABB16SKSKF80	3,20 <b>0.126</b>	-	2,75 <b>0.108</b>	1,75 <b>0.069</b>	0,93/1,50	26,60 <b>1.047</b>
16S/14	ABB16S/14KSKF80	3,20 <b>0.126</b>	-	3,90 <b>0.114</b>	1,80 <b>0.071</b>	1,94/2,08	<b>26,60</b> <b>1.047</b>
16S/12	ABB16S/12KSKF80	3,20 <b>0.126</b>	-	3,80 <b>0.150</b>	2,50 <b>0.098</b>	2,50/3,00	26,60 <b>1.047</b>
16/22	ABB16/22KSKF80	3,20 <b>0.126</b>	-	2,30 <b>0.091</b>	0,90 0,035	0,22/0,34	36,50 <b>1.437</b>
16/20	ABB16/20KSKF80	3,20 <b>0.126</b>	-	2,65 <b>0.104</b>	1,10 <b>0.049</b>	0,50/0,60	36,50 <b>1.437</b>
16/18	ABB16/18KSKF80	3,20 <b>0.126</b>	-	2,30 <b>0.091</b>	1,25 <b>0.049</b>	0,75/0,93	36,50 <b>1.437</b>
16 (15)	ABB16KSKF80	3,20 <b>0.126</b>	-	2,75 <b>0.108</b>	1,75 <b>0.07</b>	0,93/1,50	36,50 <b>1.437</b>
16/14	ABB16/14KSKF80	3,20 <b>0.126</b>	-	2,90 <b>0.114</b>	1,80 <b>0.071</b>	1,94/2,08	36,50 <b>1.437</b>
16/12	ABB16/12KSKF80	3,20 <b>0.126</b>	-	3,80 <b>0.150</b>	2,50 <b>0.098</b>	2,50/3,00	36,50 <b>1.476</b>
12/20	ABB12/20KSKF80	4,80 <b>0.189</b>	-	2,65 <b>0.104</b>	1,10 <b>0.049</b>	0,50/0,60	37,50 <b>1.476</b>
12/18	ABB12/18KSKF80	4,80 <b>0.189</b>	-	2,30 <b>0.091</b>	1,25 <b>0.049</b>	0,75/0,93	37,50 <b>1.476</b>
12/16 (25/15)	ABB12/16KSKF80	4,80 <b>0.189</b>	-	2,75 <b>0.108</b>	1,75 <b>0.069</b>	0,93/1,50	37,50 <b>1.476</b>
12/14	ABB12/14KSKF80	4,80 <b>0.189</b>	-	2,90 <b>0.114</b>	1,80 <b>0.071</b>	1,94/2,08	37,50 <b>1.476</b>
12 (25)	ABB12KSKF80	4,80 <b>0.189</b>	-	3,80 <b>0.150</b>	2,50 <b>0.098</b>	2,50/3,00	37,50 <b>1.476</b>
12/10	ABB12/10KSKF80	4,80 <b>0.189</b>	-	4,40 <b>0.173</b>	3,00 <b>0.118</b>	5,53	37,50 <b>1.476</b>
12/40 (25/40)	ABB12/40KSKF80	4,80 <b>0.189</b>	-	4,00 <b>0.157</b>	2,70 <b>0.106</b>	4,00	37,50 <b>1.476</b>
8/40	ABB8/40KSKF80	7,80 <b>0.307</b>	6,50 <b>0.256</b>	5,20 <b>0.204</b>	2,90 <b>0.114</b>	4,00	40,70 <b>1.602</b>
8/14	ABB8/14KSKF80	7,80 <b>0.307</b>	6,50 <b>0.256</b>	2,90 <b>0.114</b>	1,80 <b>0.071</b>	1,94/2,08	40,70 <b>1.602</b>
8/12	ABB8/12KSKF80	7,80 <b>0.307</b>	6,50 <b>0.256</b>	3,80 <b>0.150</b>	2,50 <b>0.098</b>	2,50/3,00	40,70 <b>1.602</b>
8/10	ABB8/10KSKF80	7,80 <b>0.307</b>	6,50 <b>0.256</b>	4,40 <b>0.173</b>	3,00 <b>0.118</b>	5,53	40,70 <b>1.602</b>
8	ABB8KSKF80	7,80 <b>0.307</b>	6,50 <b>0.256</b>	6,80 <b>0.268</b>	4,55 <b>0.179</b>	9,00	40,70 <b>1.602</b>
(100/60)	ABB100/60KSKF80	7,80 <b>0.307</b>	6,50 <b>0.256</b>	5,50 <b>0.217</b>	3,40 <b>0.134</b>	6,00	40,70 <b>1.602</b>
(100)	ABB100KSKF80	7,80 <b>0.307</b>	6,50 <b>0.256</b>	7,00 <b>0.276</b>	4,40 <b>0.173</b>	10,00	40,70 <b>1.602</b>
4/10	ABB4/10KSKF80	11,10 <b>0.437</b>	6,50 <b>0.256</b>	5,20 <b>0.205</b>	3,30 <b>0.130</b>	5,53	41,25 <b>1.624</b>
4	ABB4KSKF80	11,10 <b>0.437</b>	8,60 <b>0.339</b>	9,55 <b>0.376</b>	7,10 <b>0.280</b>	22,00	41,25 <b>1.624</b>
(160)	ABB160KSKF80	11,10 <b>0.437</b>	8,60 <b>0.339</b>	9,45 <b>0.372</b>	5,70 <b>0.224</b>	16,00	41,25 <b>1.624</b>
(160/100)	ABB160/100KSKF80	11,10 <b>0.437</b>	8,60 <b>0.339</b>	7,00 <b>0.276</b>	4,40 <b>0.173</b>	10,00	40,70 <b>1.602</b>
0	ABB0KSKF80	15,10 <b>0.594</b>	13,20 <b>0.520</b>	14,35 <b>0.565</b>	11,50 <b>0.453</b>	53,00	44,50 <b>1.752</b>
(500/160)	ABB500/160KSKF80	15,10 <b>0.594</b>	13,20 <b>0.520</b>	9,45 <b>0.372</b>	5,70 <b>0.224</b>	16,00	44,50 <b>1.752</b>
(500/250)	ABB500/250KSKF80	15,10 <b>0.594</b>	13,20 <b>0.520</b>	10,00 <b>0.394</b>	7,00 <b>0.276</b>	25,00	44,50 <b>1.752</b>
(500/350)	ABB500/350KPKF80	15,10 <b>0.594</b>	13,20 <b>0.520</b>	11,90 <b>0.469</b>	8,00 <b>0.315</b>	35,00	44,50 <b>1.752</b>
(500)	ABB500KPKF80	15,10 <b>0.594</b>	13,20 <b>0.520</b>	14,35 <b>0.565</b>	9,80 <b>0.386</b>	50,00	44,50 <b>1.752</b>

ABCIRH

# F80 Crimp Contacts

## Low Insertion Force Socket



Metric

Imperial

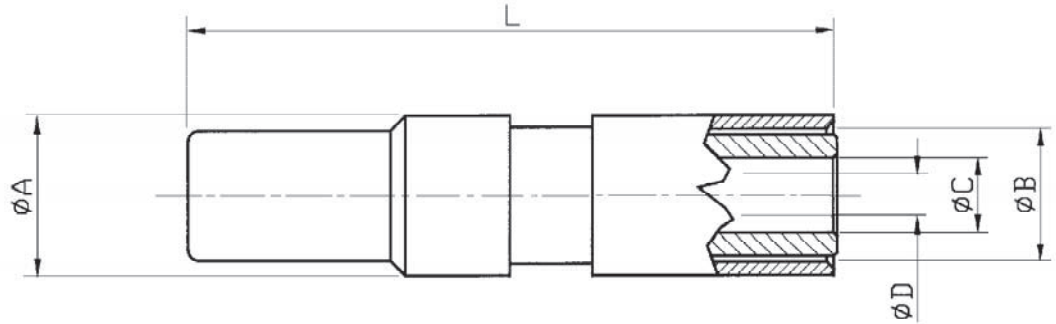
For standard gold plating, add P3 to the end of the part number.

Contact Size AWG (Metric)	Part Number	A	B	C	Conductor CSA mm <sup>2</sup>	L
16S (15S)	ABB16SKLKF80P3	3,20 <b>0.126</b>	2,75 <b>0.108</b>	1,75 <b>0.069</b>	1,00/1,50	26,60 <b>1.047</b>
16/22	ABB16/22KLKF80P3	3,20 <b>0.126</b>	2,30 <b>0.091</b>	0,90 <b>0.035</b>	0,22/0,34	36,50 <b>1.437</b>
16/20	ABB16/20KLKF80P3	3,20 <b>0.126</b>	2,65 <b>0.104</b>	1,10 <b>0.043</b>	0,50/0,60	36,50 <b>1.437</b>
16/18	ABB16/18KLKF80P3	3,20 <b>0.126</b>	2,30 <b>0.091</b>	1,25 <b>0.049</b>	0,75/0,93	36,50 <b>1.437</b>
16(15)	ABB16KLKF80P3	3,20 <b>0.126</b>	2,75 <b>0.108</b>	1,75 <b>0.069</b>	1,00/1,50	36,50 <b>1.437</b>
16/14	ABB16/14KLKF80P3	3,20 <b>0.126</b>	2,90 <b>0.114</b>	1,80 <b>0.071</b>	1,94/2,08	36,50 <b>1.437</b>
16/12	ABB16/12KLKF80P3	3,20 <b>0.126</b>	3,80 <b>0.150</b>	2,50 <b>0.098</b>	2,50/3,00	36,50 <b>1.437</b>
12/40 (25/40)	ABB12/40KLKF80P3	4,80 <b>0.189</b>	4,00 <b>0.157</b>	2,70 <b>0.106</b>	4,00	37,50 <b>1.476</b>
12/20	ABB12/20KLKF80P3	4,80 <b>0.189</b>	2,65 <b>0.104</b>	1,10 <b>0.043</b>	0,50/0,60	37,50 <b>1.476</b>
12/18	ABB12/18KLKF80P3	4,80 <b>0.189</b>	2,30 <b>0.091</b>	1,25 <b>0.049</b>	0,75/0,93	37,50 <b>1.476</b>
12/16	ABB12/16KLKF80P3	4,80 <b>0.189</b>	2,75 <b>0.108</b>	1,75 <b>0.069</b>	1,00/1,50	37,50 <b>1.476</b>
12/10	ABB12/10KLKF80P3	4,80 <b>0.189</b>	4,40 <b>0.173</b>	3,00 <b>0.118</b>	5,53	37,50 <b>1.476</b>
12 (25)	ABB12KLKF80P3	4,80 <b>0.189</b>	3,80 <b>0.1508</b>	2,50 <b>0.098</b>	2,50/3,00	37,50 <b>1.476</b>

# F80 Crimp Contact

## Coaxial Pin & Socket

### Pin Contact

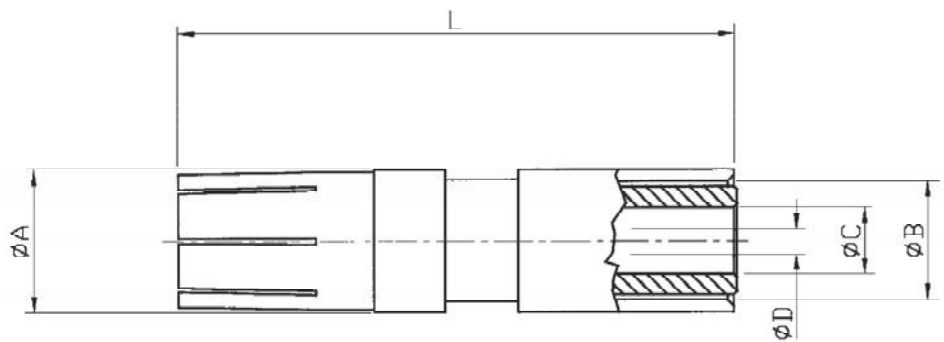


Metric  
**Imperial**

\* Important Note.  
Consult factory for suitable contact arrangement details

Contact Size AWG *	Part Number	A	B	C	D	L	Use With Conductors
4	ABB 4 CKPK F80 P1 001	11,10 0.437	9,80 0.386	5,20 0.205	1,07 0.042	44,70 1.760	0.5 mm <sup>2</sup> 0.6 mm <sup>2</sup>
4	ABB 4 CKPK F80 P1 002	11,10 0.437	9,80 0.386	7,50 0.295	1,75 0.069	44,70 1.760	0.75 mm <sup>2</sup> 1.0 mm <sup>2</sup>

### Socket Contact



Metric  
**Imperial**

\* Important Note.  
Consult factory for suitable contact arrangement details

Contact Size AWG *	Part Number	A	B	C	D	L	Use With Conductors
4	ABB 4 CKSK F80 P1 001	11,10 <b>0.437</b>	9,80 <b>0.386</b>	5,20 <b>0.205</b>	1,07 <b>0.042</b>	43,05 <b>1.695</b>	0.5 mm <sup>2</sup> <b>0.6 mm<sup>2</sup></b>
4	ABB 4 CKSK F80 P1 002	11,10 <b>0.437</b>	9,80 <b>0.386</b>	7,50 <b>0.295</b>	1,75 <b>0.069</b>	43,05 <b>1.695</b>	0.75 mm <sup>2</sup> <b>1.0 mm<sup>2</sup></b>

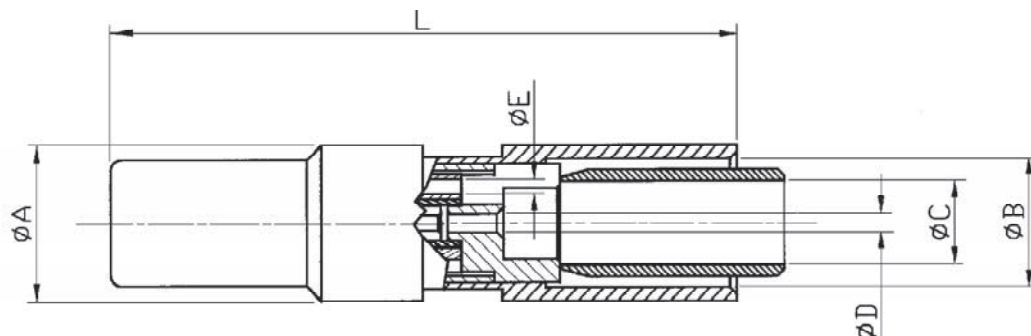


ABCIRH

# F80 Crimp Contact

Twinaxial Pin &amp; Socket

## Pin Contact



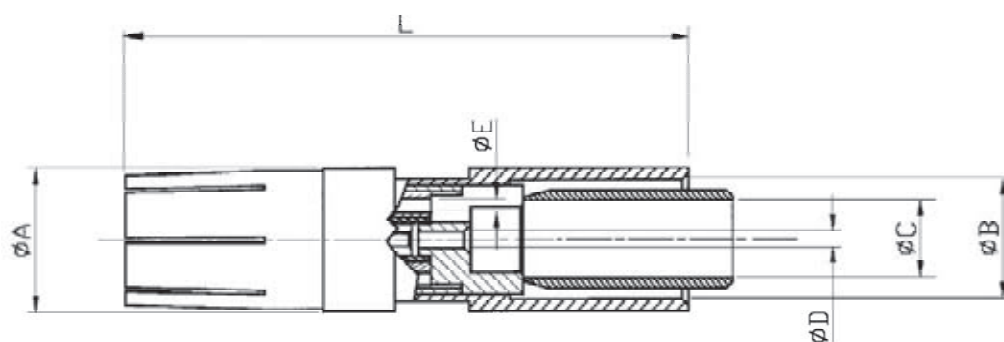
Metric

Imperial

\* Important Note.  
Consult factory for suitable contact arrangement details

Contact Size AWG *	Part Number	A	B	C	D	E	L	Use With Conductors
4	ABB 4 TKPK F80 P1	11,10	9,80	6,00	1,07	1,05	44,70	0.5 mm <sup>2</sup>
		0.437	0.386	0.236	0.042	0.041	1.760	0.6 mm <sup>2</sup>
4	ABB 4 TKPK F80 P1 001	11,10	9,80	6,50	1,30	1,30	44,70	0.75 mm <sup>2</sup>
		0.437	0.386	0.256	0.051	0.051	1.760	1.0 mm <sup>2</sup>

## Socket Contact



Metric

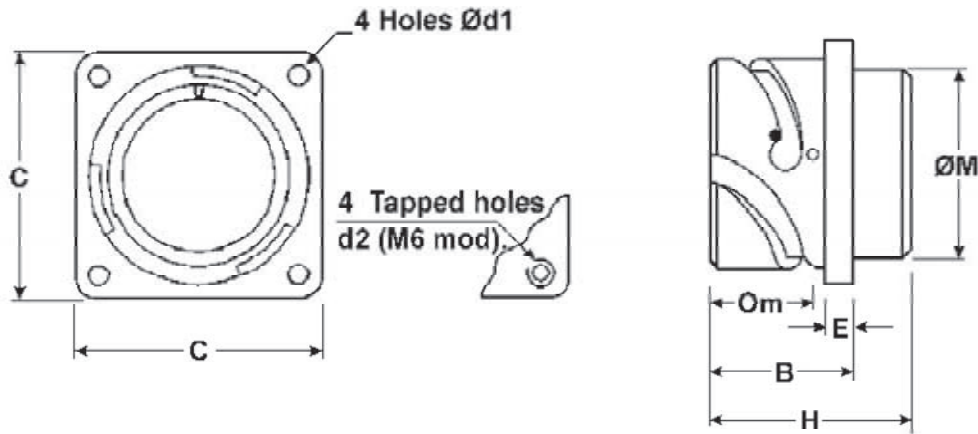
Imperial

\* Important Note.  
Consult factory for suitable contact arrangement details

Contact Size AWG *	Part Number	A	B	C	D	E	L	Use With Conductors
4	ABB 4 TSKK F80 P1	11,10	9,80	6,00	1,07	1,05	43,05	0.5 mm <sup>2</sup>
		0.437	0.386	0.236	0.042	0.041	1.695	0.6 mm <sup>2</sup>
4	ABB 4 TSKK F80 P1 001	11,10	9,80	6,50	1,30	1,30	43,05	0.75 mm <sup>2</sup>
		0.437	0.386	0.256	0.051	0.051	1.695	1.0 mm <sup>2</sup>

# Square Flange Receptacle Front Mounting (No Accessory Thread)

Style: ABCIRH00A/ABCIRH00A...M6



Metric  
Imperial

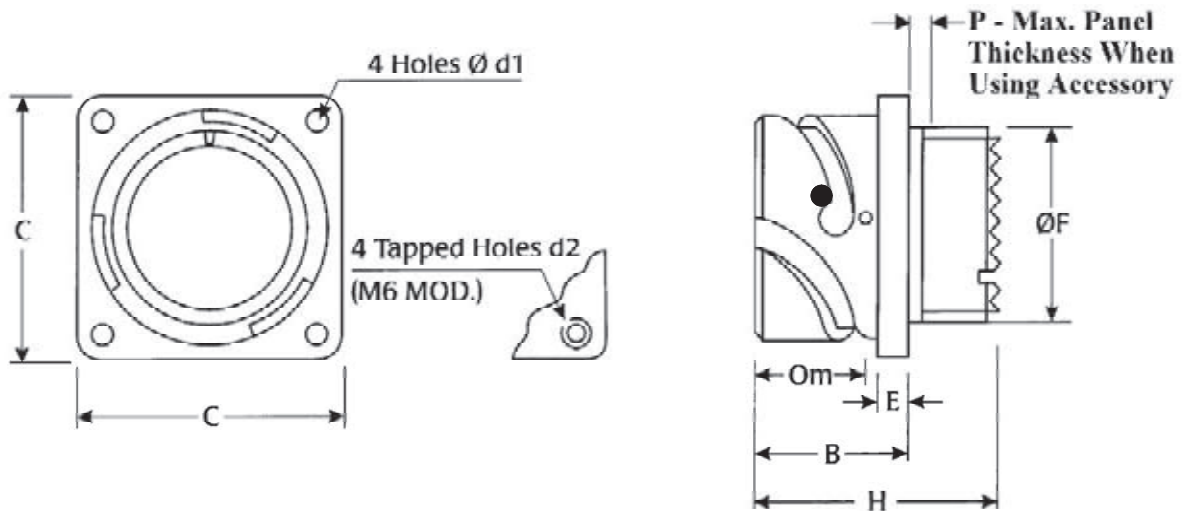
See page 90 for panel mounting details

Shell Size	B Max	C Max	d1 +0,2 -0 +0.008-0	d2 Thread	E Max	M Max	H Max	Om Min Overlap Mated
10SL	17,60 0.693	25,70 1.012	3,20 0.126	M4 0,7-6H	3,00 0.118	16,10 0.634	25,00 0.98	11,10 0.437
14S	18,00 0.709	30,30 1.193	3,20 0.126	M4 0,7-6H	3,40 0.134	19,20 0.756	25,00 0.98	11,10 0.437
16S	18,00 0.709	32,80 1.291	3,20 0.126	M4 0,7-6H	3,40 0.134	22,40 0.882	25,00 0.98	11,10 0.437
16	22,80 0.898	32,80 1.291	3,20 0.126	M4 0,7-6H	3,40 0.134	22,40 0.882	32,85 1.293	15,85 0.624
18	23,60 0.929	35,30 1.390	3,20 0.126	M4 0,7-6H	4,20 0.165	25,60 1.008	32,85 1.293	15,85 0.624
20	23,60 0.929	38,30 1.508	3,20 0.126	M4 0,7-6H	4,20 0.165	29,00 1.142	32,85 1.293	15,85 0.624
22	23,60 0.929	41,30 1.626	3,20 0.126	M4 0,7-6H	4,20 0.165	31,90 1.256	32,85 1.293	15,75 0.620
24	25,20 0.992	44,80 1.764	3,70 0.146	M4 0,7-6H	4,20 0.165	35,00 1.378	32,85 1.293	15,75 0.620
28	25,20 0.992	51,10 2.012	3,70 0.146	M5 0,8-6H	4,20 0.165	41,40 1.630	32,85 1.293	15,75 0.620
32	26,80 1.055	57,30 2.256	4,30 0.169	M5 0,8-6H	4,20 0.165	47,80 1.882	32,85 1.293	15,75 0.620
36	26,80 1.055	63,80 2.512	4,30 0.169	M5 0,8-6H	4,20 0.165	52,60 2.071	32,85 1.293	15,75 0.620
40	26,80 1.055	70,20 2.764	4,30 0.169	M5 0,8-6H	4,20 0.165	59,00 2.323	32,85 1.293	15,75 0.620

ABCIRH

# Square Flange Receptacle Front Mounting

Style: ABCIRH00T/ABCIRH00T...M6



Metric

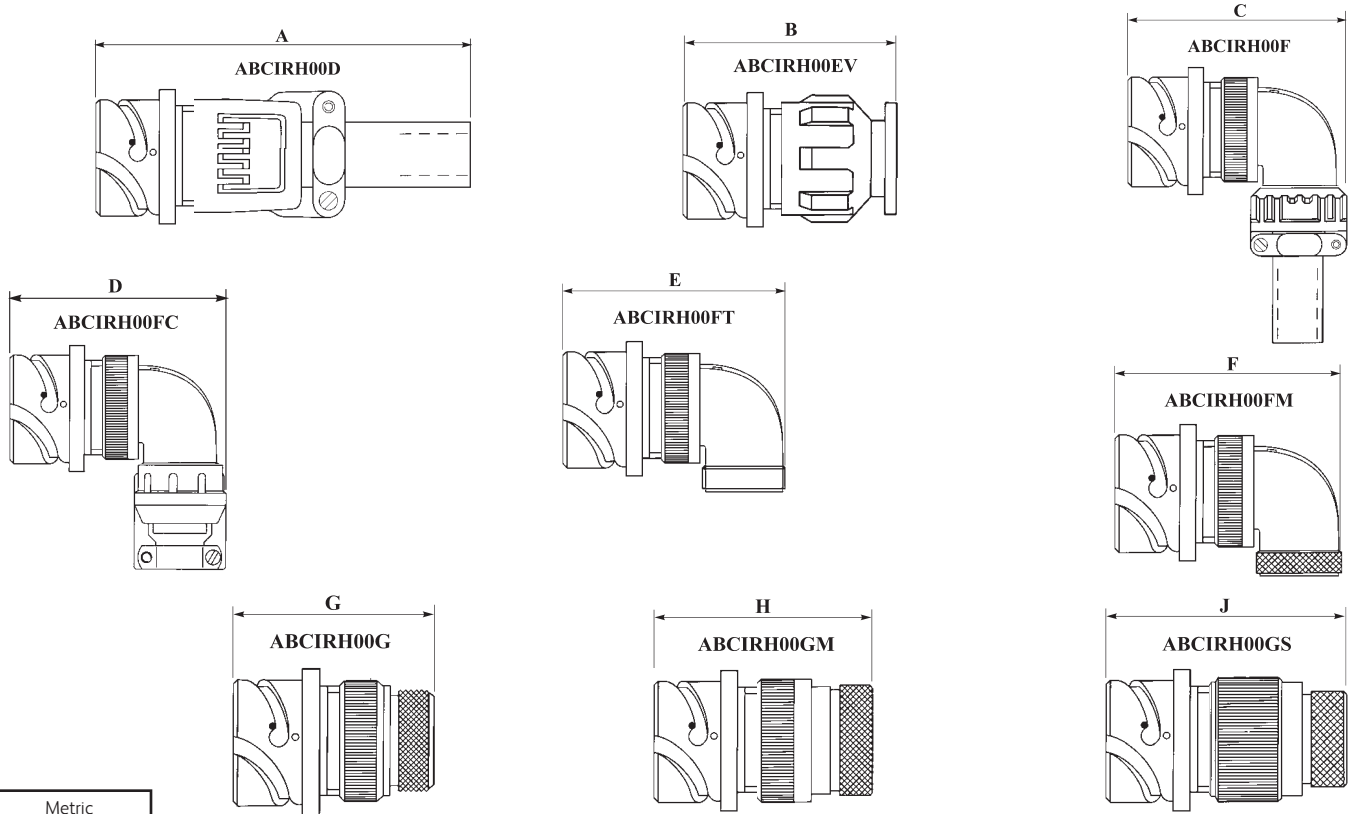
Imperial

See page 90 for panel  
mounting details

Shell Size	B Max	C Max	d1 +0,2 -0 +0.008-0	d2 Thread	E Max	F Thread Dia. Class 2A	H Max	P	Om Min Overlap Mated
10SL	17,60 <b>0.693</b>	25,70 <b>1.012</b>	3,20 <b>0.126</b>	M4 0,7-6H	3,00 <b>0.118</b>	5/8" x 24 UNEF	28,78 <b>1.133</b>	3,30 <b>0.130</b>	11,10 <b>0.437</b>
14S	18,00 <b>0.709</b>	30,30 <b>1.193</b>	3,20 <b>0.126</b>	M4 0,7-6H	3,40 <b>0.134</b>	3/4" x 20 UNEF	28,78 <b>1.133</b>	3,30 <b>0.130</b>	11,10 <b>0.437</b>
16S	18,00 <b>0.709</b>	32,80 <b>1.291</b>	3,20 <b>0.126</b>	M4 0,7-6H	3,40 <b>0.134</b>	7/8" x 20 UNEF	28,78 <b>1.133</b>	3,30 <b>0.130</b>	11,10 <b>0.437</b>
16	22,80 <b>0.898</b>	32,80 <b>1.291</b>	3,20 <b>0.126</b>	M4 0,7-6H	3,40 <b>0.134</b>	7/8" x 20 UNEF	36,30 <b>1.429</b>	3,30 <b>0.130</b>	15,85 <b>0.624</b>
18	23,60 <b>0.929</b>	35,30 <b>1.390</b>	3,20 <b>0.126</b>	M4 0,7-6H	4,20 <b>0.165</b>	1" x 20 UNEF	36,30 <b>1.429</b>	3,30 <b>0.130</b>	15,85 <b>0.624</b>
20	23,60 <b>0.929</b>	38,30 <b>1.508</b>	3,20 <b>0.126</b>	M4 0,7-6H	4,20 <b>0.165</b>	1 1/8" x 18 UNEF	36,30 <b>1.429</b>	3,30 <b>0.130</b>	15,85 <b>0.624</b>
22	23,60 <b>0.929</b>	41,30 <b>1.626</b>	3,20 <b>0.126</b>	M4 0,7-6H	4,20 <b>0.165</b>	1 1/4" x 18 UNEF	36,30 <b>1.429</b>	3,30 <b>0.130</b>	15,75 <b>0.620</b>
24	25,20 <b>0.992</b>	44,80 <b>1.764</b>	3,70 <b>0.146</b>	M4 0,7-6H	4,20 <b>0.165</b>	1 3/8" x 18 UNEF	36,30 <b>1.429</b>	3,30 <b>0.130</b>	15,75 <b>0.620</b>
28	25,20 <b>0.992</b>	51,10 <b>2.012</b>	3,70 <b>0.146</b>	M5 0,8-6H	4,20 <b>0.165</b>	1 5/8" x 18 UNEF	36,30 <b>1.429</b>	3,30 <b>0.130</b>	15,75 <b>0.620</b>
32	26,80 <b>1.055</b>	57,30 <b>2.256</b>	4,30 <b>0.169</b>	M5 0,8-6H	4,20 <b>0.165</b>	1 7/8" x 16 UN	36,30 <b>1.429</b>	3,30 <b>0.130</b>	15,75 <b>0.620</b>
36	26,80 <b>1.055</b>	63,80 <b>2.512</b>	4,30 <b>0.169</b>	M5 0,8-6H	4,20 <b>0.165</b>	2 1/16" x 16 UNS	36,30 <b>1.429</b>	3,30 <b>0.130</b>	15,75 <b>0.620</b>
40	26,80 <b>1.055</b>	70,20 <b>2.764</b>	4,30 <b>0.169</b>	M5 0,8-6H	4,20 <b>0.165</b>	2 5/16" x 16 UN	36,30 <b>1.429</b>	3,30 <b>0.130</b>	15,75 <b>0.620</b>

# ABCIRH 'OO' Style

## Connector & Accessory



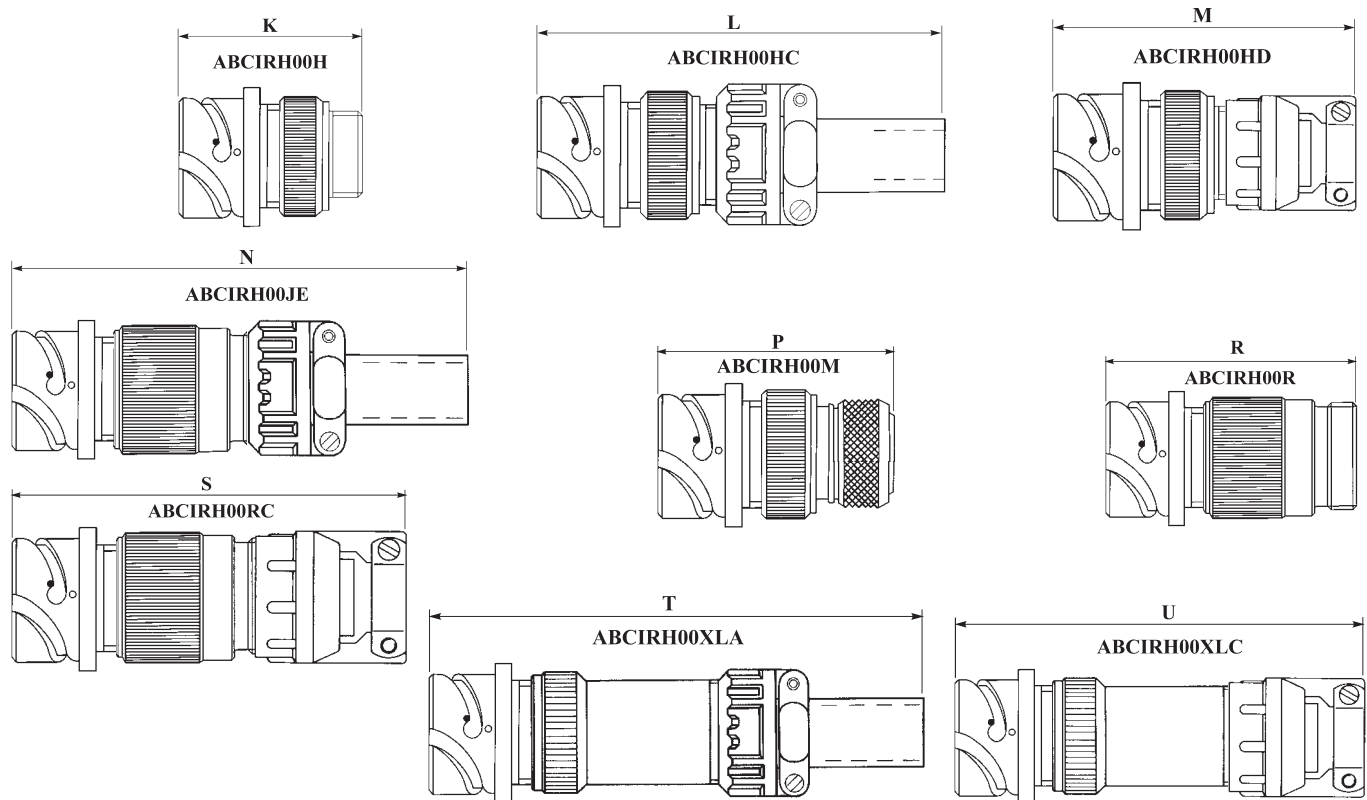
Metric  
Imperial

Shell Size	A	B	C	D	E	F	G	H	J
10SL	109,00 4.291	44,00 1.732	57,00 2.244	58,00 2.283	54,00 2.126	54,00 2.126	49,00 1.929	53,00 2.087	*
14S	107,00 4.213	44,00 1.732	61,00 2.402	60,00 2.362	56,00 2.205	56,00 2.205	49,00 1.929	53,00 2.087	*
16S	104,00 4.094	44,00 1.732	64,00 2.520	64,00 2.520	60,00 2.362	60,00 2.362	49,00 1.929	53,00 2.087	*
16	111,00 4.370	54,00 2.126	71,00 2.795	71,00 2.795	67,00 2.638	67,00 2.638	57,00 2.244	65,00 2.559	*
18	115,00 4.528	54,00 2.126	76,00 2.992	76,00 2.992	72,00 2.835	72,00 2.835	59,00 2.323	65,00 2.559	74,00 2.913
20	114,00 4.488	54,00 2.126	81,00 3.189	82,00 3.228	77,00 3.031	77,00 3.031	60,00 2.362	68,00 2.677	80,00 3.150
22	114,00 4.488	54,00 2.126	81,00 2.189	82,00 3.228	77,00 3.031	77,00 3.031	63,00 2.480	68,00 2.677	80,00 3.150
24	109,00 4.291	54,00 2.126	89,00 3.504	89,00 3.504	85,00 3.346	85,00 3.346	60,00 2.362	68,00 2.677	80,00 3.150
28	119,00 4.685	54,00 2.126	88,00 3.465	89,00 3.504	85,00 3.346	85,00 3.346	63,00 2.480	67,00 2.638	81,00 3.189
32	115,00 4.528	54,00 2.126	98,00 3.858	101,00 3.976	95,00 3.740	95,00 3.740	61,00 2.402	67,00 2.638	80,00 3.189
36	112,00 4.409	54,00 2.126	104,00 4.094	105,00 4.134	101,00 3.976	101,00 3.976	67,00 2.638	68,00 2.677	80,00 3.189
40	N/A	54,00 2.126	111,00 4.370	112,00 4.409	107,00 4.213	107,00 4.213	68,00 2.677	68,00 2.677	80,00 3.189

ABCIRH

# ABCIRH 'OO' Style

Connector & Accessory cont.

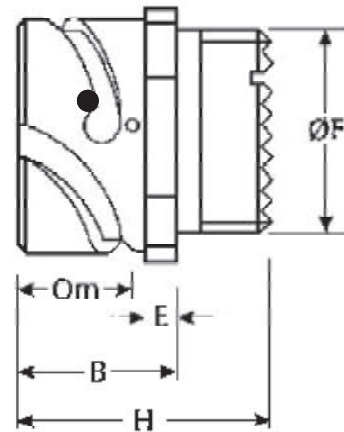
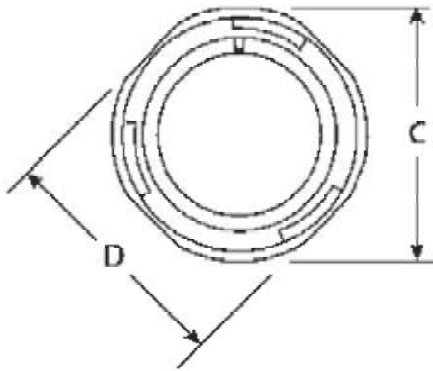


Metric  
Imperial

Shell Size	K	L	M	N	P	R	S	T	U
10SL	50,00 1.696	122,00 4.803	81,00 3.189	121,00 4.764	53,00 2.087	51,00 2.008	82,00 3.228	140,00 5.512	101,00 3.976
14S	50,00 1.969	118,00 4.646	81,00 3.189	118,00 4.646	56,00 2.205	51,00 2.008	82,00 3.228	137,00 5.394	101,00 3.976
16S	50,00 1.969	120,00 4.724	81,00 3.189	115,00 4.528	56,00 2.205	51,00 2.008	82,00 3.228	134,00 5.276	101,00 3.976
16	57,00 2.244	123,00 4.843	88,00 3.465	124,00 4.882	63,00 2.480	60,00 2.362	91,00 3.583	152,00 5.984	121,00 4.764
18	59,00 2.323	124,00 4.882	92,00 3.622	126,00 4.961	66,00 2.598	66,00 2.598	99,00 3.898	148,00 5.827	121,00 4.764
20	59,00 2.323	120,00 4.724	92,00 3.622	123,00 4.843	66,00 2.598	66,00 2.598	99,00 3.898	145,00 5.709	121,00 4.764
22	59,00 2.323	120,00 4.724	92,00 3.622	123,00 4.843	66,00 2.598	66,00 2.598	99,00 3.898	145,00 5.709	121,00 4.764
24	59,00 2.323	107,00 4.213	95,00 3.740	123,00 4.843	66,00 2.598	69,00 2.716	105,00 4.134	142,00 5.591	124,00 4.882
28	59,00 2.323	107,00 4.213	95,00 3.740	124,00 4.882	65,00 2.559	70,00 2.756	106,00 4.173	149,00 5.866	131,00 5.157
32	58,00 2.283	106,00 4.173	100,00 3.937	120,00 4.724	65,00 2.559	69,00 2.716	111,00 4.370	146,00 5.748	137,00 5.394
36	58,00 2.283	106,00 4.173	107,00 4.213	117,00 4.606	65,00 2.559	69,00 2.716	117,00 4.606	143,00 5.630	144,00 5.669
40	58,00 2.283	103,00 4.055	107,00 4.213	114,00 4.488	65,00 2.559	70,00 2.756	112,00 4.409	140,00 5.512	144,00 5.669

# Cable Mounted Receptacle

Style: ABCIRH01T



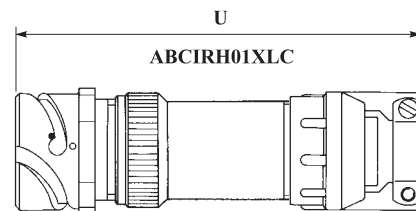
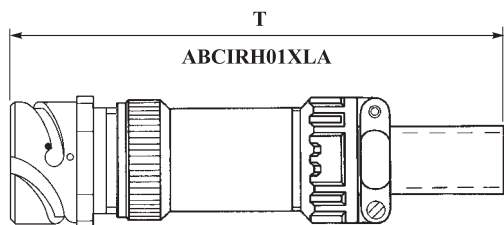
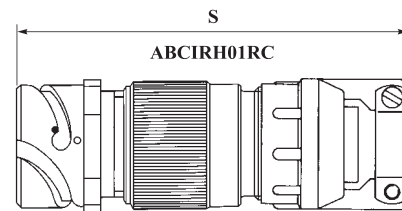
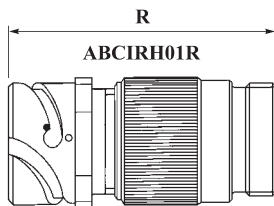
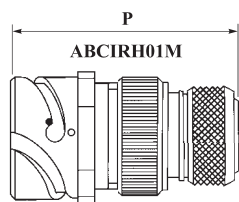
Metric
<b>Imperial</b>

Shell Size	B Max	C Max	D Max	E Max	F Thread Dia. Class 2A	H Max	Om Min Overlap Mated
10SL	17,60 <b>0.693</b>	25,20 <b>0.992</b>	20,80 <b>0.819</b>	3,00 <b>0.118</b>	5/8" x 24 UNEF	28,78 <b>1.133</b>	11,10 <b>0.437</b>
14S	18,00 <b>0.709</b>	29,80 <b>1.173</b>	25,60 <b>1.008</b>	3,40 <b>0.134</b>	3/4" x 20 UNEF	28,78 <b>1.133</b>	11,10 <b>0.437</b>
16S	18,00 <b>0.709</b>	32,30 <b>1.272</b>	28,80 <b>1.134</b>	3,40 <b>0.134</b>	7/8" x 20 UNEF	28,78 <b>1.133</b>	11,10 <b>0.437</b>
16	22,80 <b>0.898</b>	32,30 <b>1.272</b>	28,80 <b>1.134</b>	3,40 <b>0.134</b>	7/8" x 20 UNEF	36,30 <b>1.429</b>	15,85 <b>0.624</b>
18	23,60 <b>0.929</b>	34,80 <b>1.370</b>	31,90 <b>1.256</b>	4,20 <b>0.165</b>	1" x 20 UNEF	36,30 <b>1.429</b>	15,85 <b>0.624</b>
20	23,60 <b>0.929</b>	37,80 1.488	35,10 <b>1.382</b>	4,20 <b>0.165</b>	1 1/8" x 18 UNEF	36,30 <b>1.429</b>	15,85 <b>0.624</b>
22	23,60 <b>0.929</b>	41,10 <b>1.618</b>	38,30 <b>1.508</b>	4,20 <b>0.165</b>	1 1/4" x 18 UNEF	36,30 <b>1.429</b>	15,75 <b>0.620</b>
24	25,20 <b>0.992</b>	44,60 <b>1.756</b>	41,50 <b>1.634</b>	4,20 <b>0.165</b>	1 3/8" x 18 UNEF	36,30 <b>1.429</b>	15,75 <b>0.620</b>
28	25,20 <b>0.992</b>	50,90 <b>2.004</b>	47,80 <b>1.882</b>	4,20 <b>0.165</b>	1 5/8" x 18 UNEF	36,30 <b>1.429</b>	15,75 <b>0.620</b>
32	26,80 <b>1.055</b>	57,10 <b>2.248</b>	54,20 <b>2.134</b>	4,20 <b>0.165</b>	1 7/8" x 16 UN	36,30 <b>1.429</b>	15,75 <b>0.620</b>
36	26,80 <b>1.055</b>	63,80 <b>2.512</b>	60,80 <b>2.394</b>	4,20 <b>0.165</b>	2 1/16" x 16 UNS	36,30 <b>1.429</b>	15,75 <b>0.620</b>
40	26,80 <b>1.055</b>	70,00 <b>2.756</b>	66,70 <b>2.626</b>	4,20 <b>0.165</b>	2 5/16" x 16 UN	36,30 <b>1.429</b>	15,75 <b>0.620</b>

ABCIRH

# ABCIRH '01' Style

Connector & Accessory

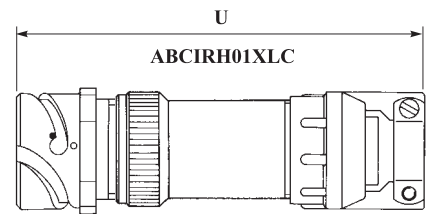
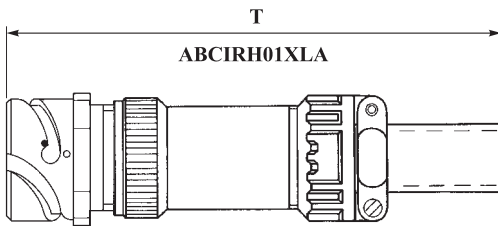
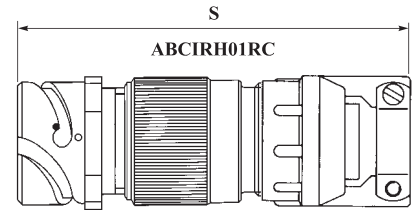
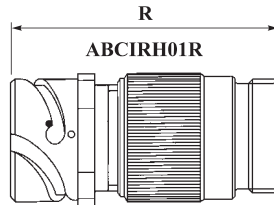
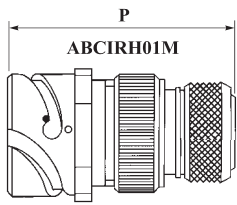


Metric  
Imperial

Shell Size	A	B	G	H	J	K	L	M	N
10SL	109,00 4.291	44,00 1.732	49,00 1.929	53,00 2.087	*	50,00 1.696	122,00 4.803	81,00 3.189	121,00 4.764
14S	107,00 4.213	44,00 1.732	49,00 1.929	53,00 2.087	*	50,00 1.969	118,00 4.646	81,00 3.189	118,00 4.646
16S	104,00 4.094	44,00 1.732	49,00 1.929	53,00 2.087	*	50,00 1.969	120,00 4.724	81,00 3.189	115,00 4.528
16	111,00 4.370	54,00 2.126	57,00 2.244	65,00 2.559	*	57,00 2.244	123,00 4.843	88,00 3.465	124,00 4.882
18	115,00 4.528	54,00 2.126	59,00 2.323	65,00 2.559	74,00 2.913	59,00 2.323	124,00 4.882	92,00 3.622	126,00 4.961
20	114,00 4.488	54,00 2.126	60,00 2.362	68,00 2.677	80,00 3.150	59,00 2.323	120,00 4.724	92,00 3.622	123,00 4.843
22	114,00 4.488	54,00 2.126	63,00 2.480	68,00 2.677	80,00 3.150	59,00 2.323	120,00 4.724	92,00 3.622	123,00 4.843
24	109,00 4.291	54,00 2.126	60,00 2.362	68,00 2.677	80,00 3.150	59,00 2.323	107,00 4.213	95,00 3.740	123,00 4.843
28	119,00 4.685	54,00 2.126	63,00 2.480	67,00 2.638	81,00 3.189	59,00 2.323	107,00 4.213	95,00 3.740	124,00 4.882
32	115,00 4.528	54,00 2.126	61,00 2.402	67,00 2.638	80,00 3.189	58,00 2.283	106,00 4.173	100,00 3.937	120,00 4.724
36	112,00 4.409	54,00 2.126	67,00 2.638	68,00 2.677	80,00 3.189	58,00 2.283	106,00 4.173	107,00 4.213	117,00 4.606
40	N/A	54,00 2.126	68,00 2.677	68,00 2.677	80,00 3.189	58,00 2.283	103,00 4.055	107,00 4.213	114,00 4.488

# ABCIRH '01' Style

## Connector & Accessory cont.



Metric  
Imperial

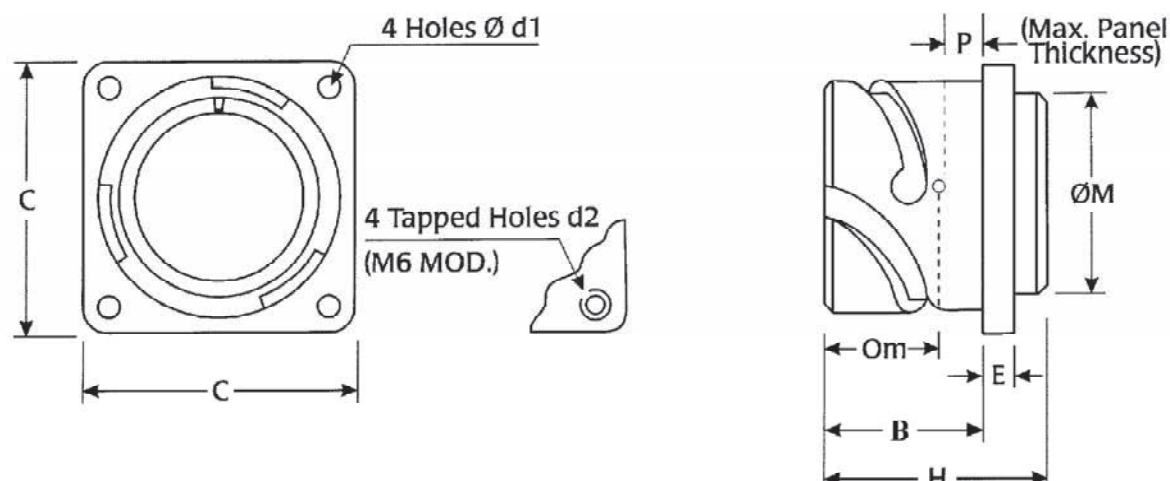
Shell Size	P	R	S	T	U
10SL	53,00 <b>2.087</b>	51,00 <b>2.008</b>	82,00 <b>3.228</b>	140,00 <b>5.512</b>	101,00 <b>3.976</b>
14S	56,00 <b>2.205</b>	51,00 <b>2.008</b>	82,00 <b>3.228</b>	137,00 <b>5.394</b>	101,00 <b>3.976</b>
16S	56,00 <b>2.205</b>	51,00 <b>2.008</b>	82,00 <b>3.228</b>	134,00 <b>5.276</b>	101,00 <b>3.976</b>
16	63,00 <b>2.480</b>	60,00 <b>2.362</b>	91,00 <b>3.583</b>	152,00 <b>5.984</b>	121,00 <b>4.764</b>
18	66,00 <b>2.598</b>	66,00 <b>2.598</b>	99,00 <b>3.898</b>	148,00 <b>5.827</b>	121,00 <b>4.764</b>
20	66,00 <b>2.598</b>	66,00 <b>2.598</b>	99,00 <b>3.898</b>	145,00 <b>5.709</b>	121,00 <b>4.764</b>
22	66,00 <b>2.598</b>	66,00 <b>2.598</b>	99,00 <b>3.898</b>	145,00 <b>5.709</b>	121,00 <b>4.764</b>
24	66,00 <b>2.598</b>	69,00 <b>2.716</b>	105,00 <b>4.134</b>	142,00 <b>5.591</b>	124,00 <b>4.882</b>
28	65,00 <b>2.559</b>	70,00 <b>2.756</b>	106,00 <b>4.173</b>	149,00 <b>5.866</b>	131,00 <b>5.157</b>
32	65,00 <b>2.559</b>	69,00 <b>2.716</b>	111,00 <b>4.370</b>	146,00 <b>5.748</b>	137,00 <b>5.394</b>
36	65,00 <b>2.559</b>	69,00 <b>2.716</b>	117,00 <b>4.606</b>	143,00 <b>5.630</b>	144,00 <b>5.669</b>
40	65,00 <b>2.559</b>	70,00 <b>2.756</b>	112,00 <b>4.409</b>	140,00 <b>5.512</b>	144,00 <b>5.669</b>



ABCIRH

# Square Flange Receptacle

Rear Mounting (No Accessory Thread)  
Style: ABCI03A/ABCIRH03A..M6



**Note.** Maximum panel thickness when using cap head screws.  
When using countersunk screws, maximum panel thickness = 7.5 mm.

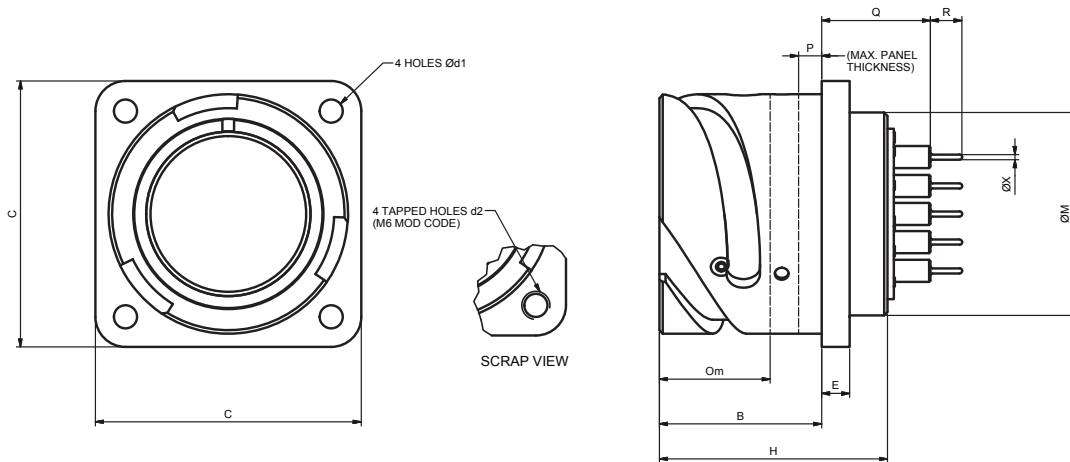
Metric  
Imperial

See page 90 for panel mounting details

Shell Size	B Max	C Max	d1 +0,2 -0 +0.008-0	d2 Thread	E Max	M Max	H Max	P See Note	Om Min Overlap Mated
10SL	18,60 0.732	25,70 1.012	3,20 0.126	M4 0,7-6H	3,00 0.118	16,10 0.634	25,00 0.99	3,30 0.130	11,10 0.437
14S	18,60 0.732	30,30 1.193	3,20 0.126	M4 0,7-6H	3,40 0.134	19,20 0.756	25,00 0.99	3,30 0.130	11,10 0.437
16S	18,60 0.732	32,80 1.291	3,20 0.126	M4 0,7-6H	3,40 0.134	22,40 0.882	25,00 0.99	3,30 0.130	11,10 0.437
16	21,90 0.862	32,80 1.291	3,20 0.126	M4 0,7-6H	3,40 0.134	22,40 0.882	32,70 1.28	3,30 0.130	15,85 0.624
18	23,45 0.923	35,30 1.390	3,20 0.126	M4 0,7-6H	4,20 0.165	25,60 1.008	32,70 1.28	3,30 0.130	15,85 0.624
20	23,45 0.923	38,30 1.508	3,20 0.126	M4 0,7-6H	4,20 0.165	29,00 1.142	33,40 1.32	3,30 0.130	15,85 0.624
22	23,45 0.923	41,30 1.626	3,20 0.126	M4 0,7-6H	4,20 0.165	31,90 1.250	33,40 1.32	3,30 0.130	15,75 0.620
24	23,45 0.923	44,80 1.764	3,70 0.146	M4 0,7-6H	4,20 0.165	35,00 1.380	32,75 1.29	3,30 0.130	15,75 0.620
28	24,45 0.963	51,10 2.012	3,70 0.146	M5 0,8-6H	4,20 0.165	41,40 1.630	35,80 1.41	3,30 0.130	15,75 0.620
32	24,45 0.963	57,30 2.256	4,30 0.169	M5 0,8-6H	4,20 0.165	47,80 1.882	36,80 1.45	3,30 0.130	15,75 0.620
36	24,45 0.963	63,80 2.512	4,30 0.169	M5 0,8-6H	4,20 0.165	52,60 2.071	36,80 1.45	3,30 0.130	15,75 0.620
40	24,45 0.963	70,20 2.764	4,30 0.169	M5 0,8-6H	4,20 0.165	59,00 2.323	36,80 1.45	3,30 0.130	15,75 0.620

# Square Flange Receptacle with PCB Contacts

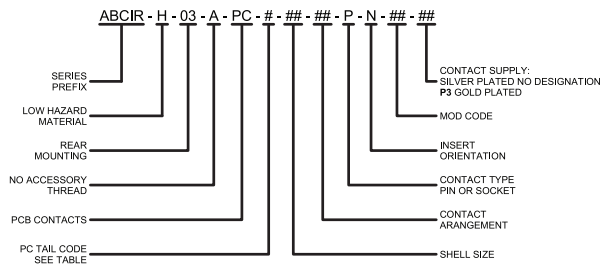
Rear Mounting (No Accessory Thread)  
 Style: ABCIRH03APC#/ABCIRH03APC#...M6



Note:  
 Maximum panel thickness when using cap head screws.  
 When using countersunk screws, maximum panel thickness = 7.5mm

See page 90 for panel mounting details

### PART NUMBER BREAKDOWN



Metric
Imperial

Shell Size	B Max	C Max	d1 +0,2 -0 +0.008-0	d2 Thread	E Max	M Max	H Max	P See Note	Om Min Overlap Mated
10SL	18,60 <b>0.732</b>	25,70 <b>1.012</b>	3,20 <b>0.126</b>	M4 <b>0.7-6H</b>	3,00 <b>0.118</b>	16,10 <b>0.634</b>	25,00 <b>0.990</b>	3,30 <b>0.130</b>	11,10 <b>0.437</b>
14S	18,60 <b>0.732</b>	30,30 <b>1.193</b>	3,20 <b>0.126</b>	M4 <b>0.7-6H</b>	3,40 <b>0.134</b>	19,20 <b>0.756</b>	25,00 <b>0.990</b>	3,30 <b>0.130</b>	11,10 <b>0.437</b>
16S	18,60 <b>0.732</b>	32,80 <b>1.291</b>	3,20 <b>0.126</b>	M4 <b>0.7-6H</b>	3,40 <b>0.134</b>	22,40 <b>0.882</b>	25,00 <b>0.990</b>	3,30 <b>0.130</b>	11,10 <b>0.437</b>
16	21,90 <b>0.862</b>	32,80 <b>1.291</b>	3,20 <b>0.126</b>	M4 <b>0.7-6H</b>	3,40 <b>0.134</b>	22,40 <b>0.882</b>	32,70 <b>1.280</b>	3,30 <b>0.130</b>	15,85 <b>0.624</b>
18	23,45 <b>0.923</b>	35,30 <b>1.390</b>	3,20 <b>0.126</b>	M4 <b>0.7-6H</b>	4,20 <b>0.165</b>	25,60 <b>1.008</b>	32,70 <b>1.280</b>	3,30 <b>0.130</b>	15,85 <b>0.624</b>
20	23,45 <b>0.923</b>	38,30 <b>1.508</b>	3,20 <b>0.126</b>	M4 <b>0.7-6H</b>	4,20 <b>0.165</b>	29,00 <b>1.142</b>	33,40 <b>1.320</b>	3,30 <b>0.130</b>	15,85 <b>0.624</b>
22	23,45 <b>0.923</b>	41,30 <b>1.626</b>	3,20 <b>0.126</b>	M4 <b>0.7-6H</b>	4,20 <b>0.165</b>	31,90 <b>1.250</b>	33,40 <b>1.320</b>	3,30 <b>0.130</b>	15,75 <b>0.620</b>
24	23,45 <b>0.923</b>	44,80 <b>1.764</b>	3,70 <b>0.146</b>	M4 <b>0.7-6H</b>	4,20 <b>0.165</b>	35,00 <b>1.380</b>	32,75 <b>1.290</b>	3,30 <b>0.130</b>	15,75 <b>0.620</b>
28	24,45 <b>0.963</b>	51,10 <b>2.012</b>	3,70 <b>0.146</b>	M5 <b>0.8-6H</b>	4,20 <b>0.165</b>	41,40 <b>1.630</b>	35,80 <b>1.410</b>	3,30 <b>0.130</b>	15,75 <b>0.620</b>
32	24,45 <b>0.963</b>	57,30 <b>2.256</b>	4,30 <b>0.169</b>	M5 <b>0.8-6H</b>	4,20 <b>0.165</b>	37,0 <b>1.46</b>	36,80 <b>1.450</b>	3,30 <b>0.130</b>	15,75 <b>0.620</b>
36	24,45 <b>0.963</b>	63,80 <b>2.512</b>	4,30 <b>0.169</b>	M5 <b>0.8-6H</b>	4,20 <b>0.165</b>	37,0 <b>1.46</b>	36,80 <b>1.450</b>	3,30 <b>0.130</b>	15,75 <b>0.620</b>
40	24,45 <b>0.963</b>	70,20 <b>2.764</b>	4,30 <b>0.169</b>	M5 <b>0.8-6H</b>	4,20 <b>0.165</b>	38,0 <b>1.50</b>	36,80 <b>1.450</b>	3,30 <b>0.130</b>	15,75 <b>0.620</b>

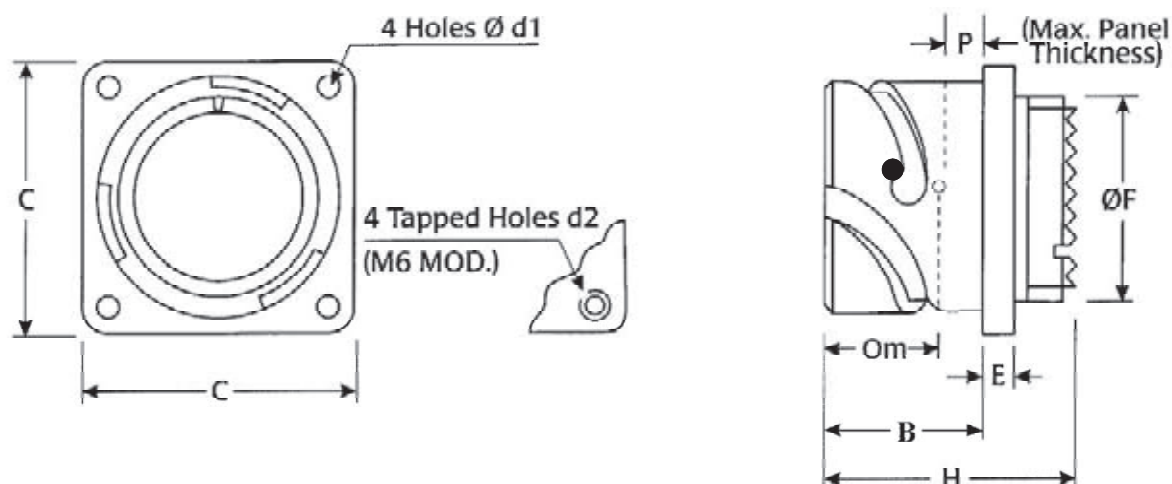
PC CODE	Q ±0.88	R ±0.10	ØX Max
A	25,00 <b>0.984</b>	5,00 <b>0.197</b>	0,75 <b>0.030</b>
C	12,70 <b>0.500</b>	7,00 <b>0.276</b>	0,75 <b>0.030</b>
F*	15,00 <b>0.591</b>	4,50 <b>0.177</b>	0,75 <b>0.030</b>

- \*1) USE PC CODE F FOR STANDARD TAIL LENGTH.
- \*2) OTHER PC TAILS AVAILABLE - PLEASE ADD DETAIL TO CHART ABOVE AND CONSULT FACTORY.

ABCIRH

# Square Flange Receptacle

Rear Mounting (With Accessory Thread)  
AB Style: ABCIRH03T/ABCIRH03T...M6



**Note.** Maximum panel thickness when using cap head screws. When using countersunk screws, maximum panel thickness = 7.5 mm.

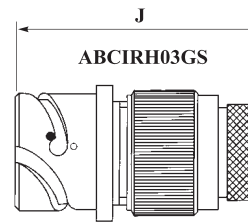
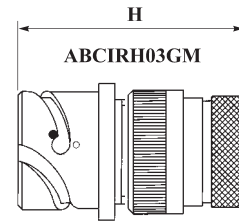
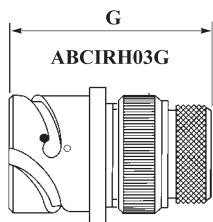
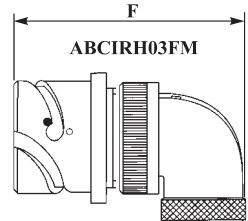
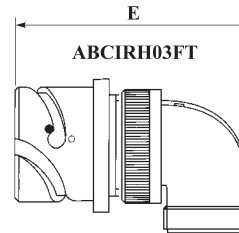
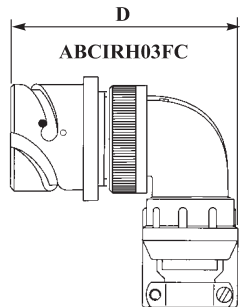
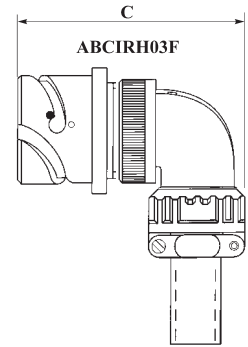
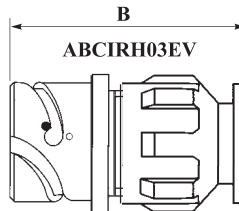
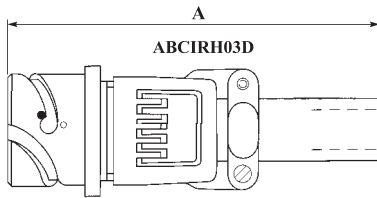
Metric  
Imperial

See page 90 for panel mounting details

Shell Size	B Max	C Max	d1 +0,2 -0 +0.008-0	d2 Thread	E Max	F Thread Dia. Class 2A	H Max	P See Note	Om Min Overlap Mated
10SL	18,60 <b>0.732</b>	25,70 <b>1.012</b>	3,20 <b>0.126</b>	M4 0.7-6H	3,00 <b>0.118</b>	5/8" x 24 UNEF	30,0 <b>1.19</b>	3,30 <b>0.130</b>	11,10 <b>0.437</b>
14S	18,60 <b>0.732</b>	30,30 <b>1.193</b>	3,20 <b>0.126</b>	M4 0.7-6H	3,40 <b>0.134</b>	3/4" x 20 UNEF	30,0 <b>1.19</b>	3,30 <b>0.130</b>	11,10 <b>0.437</b>
16S	18,60 <b>0.732</b>	32,80 <b>1.291</b>	3,20 <b>0.126</b>	M4 0.7-6H	3,40 <b>0.134</b>	7/8" x 20 UNEF	30,0 <b>1.19</b>	3,30 <b>0.130</b>	11,10 <b>0.437</b>
16	21,90 <b>0.862</b>	32,80 <b>1.291</b>	3,20 <b>0.126</b>	M4 0.7-6H	3,40 <b>0.134</b>	7/8" x 20 UNEF	37,0 <b>1.46</b>	3,30 <b>0.130</b>	15,85 <b>0.624</b>
18	23,45 <b>0.923</b>	35,30 <b>1.390</b>	3,20 <b>0.126</b>	M4 0.7-6H	4,20 <b>0.165</b>	1" x 20 UNEF	37,0 <b>1.46</b>	3,30 <b>0.130</b>	15,85 <b>0.624</b>
20	23,45 <b>0.923</b>	38,30 <b>1.508</b>	3,20 <b>0.126</b>	M4 0.7-6H	4,20 <b>0.165</b>	1 1/8" x 18 UNEF	37,0 <b>1.46</b>	3,30 <b>0.130</b>	15,85 <b>0.624</b>
22	23,45 <b>0.923</b>	41,30 <b>1.626</b>	3,20 <b>0.126</b>	M4 0.7-6H	4,20 0.165	1 1/4" x 18 UNEF	37,0 <b>1.46</b>	3,30 <b>0.130</b>	15,75 <b>0.620</b>
24	23,45 <b>0.923</b>	44,80 <b>1.764</b>	3,70 <b>0.146</b>	M4 0.7-6H	4,20 0.165	1 3/8" x 18 UNEF	37,0 <b>1.46</b>	3,30 <b>0.130</b>	15,75 <b>0.620</b>
28	24,45 <b>0.963</b>	51,10 <b>2.012</b>	3,70 <b>0.146</b>	M5 0.8-6H	4,20 0.165	1 5/8" x 18 UNEF	37,0 <b>1.46</b>	3,30 <b>0.130</b>	15,75 <b>0.620</b>
32	24,45 <b>0.963</b>	57,30 <b>2.256</b>	4,30 <b>0.169</b>	M5 0.8-6H	4,20 0.165	1 7/8" x 16 UN	37,0 <b>1.46</b>	3,30 <b>0.130</b>	15,75 <b>0.620</b>
36	24,45 <b>0.963</b>	63,80 <b>2.512</b>	4,30 <b>0.169</b>	M5 0.8-6H	4,20 0.165	2 1/16" x 16 UNS	37,0 <b>1.46</b>	3,30 <b>0.130</b>	15,75 <b>0.620</b>
40	24,45 <b>0.963</b>	70,20 <b>2.764</b>	4,30 <b>0.169</b>	M5 0.8-6H	4,20 0.165	2 5/16" x 16 UN	38,0 <b>1.50</b>	3,30 <b>0.130</b>	15,75 <b>0.620</b>

# ABCIRH '03' Style

## Connector & Accessory



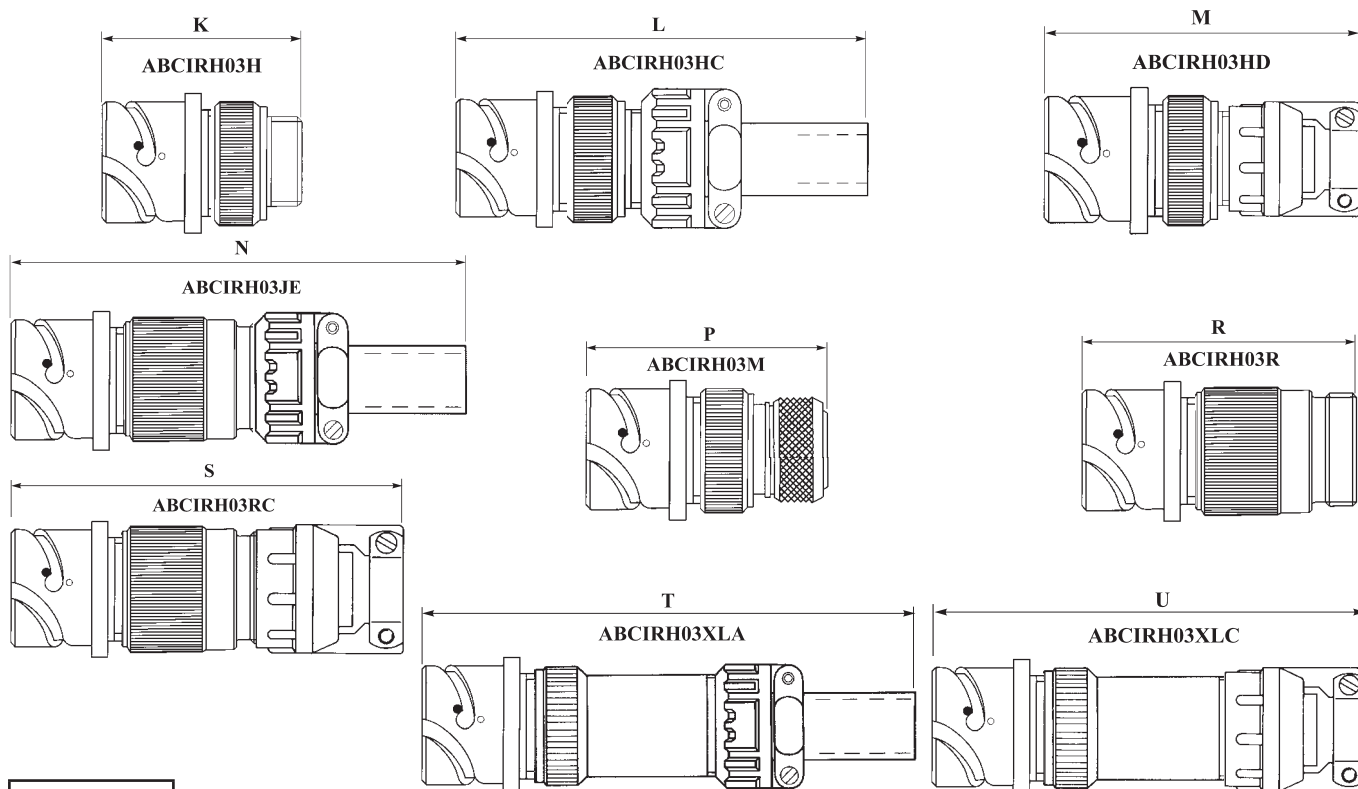
Metric  
Imperial

Shell Size	A	B	C	D	E	F	G	H	J
10SL	109,00 4.291	44,00 1.732	58,00 2.283	58,00 2.283	55,00 2.165	55,00 2.165	50,00 1.968	54,00 2.126	*
14S	108,00 4.252	44,00 1.732	61,00 2.402	61,00 2.402	57,00 2.244	57,00 2.244	50,00 1.968	54,00 2.126	*
16S	105,00 4.134	44,00 1.732	65,00 2.559	65,00 2.559	61,00 2.402	61,00 2.402	50,00 1.968	54,00 2.126	*
16	117,00 4.606	60,00 2.362	77,00 3.031	77,00 3.031	73,00 2.874	73,00 2.874	63,00 2.480	70,00 2.756	*
18	121,00 4.764	60,00 2.362	82,00 3.228	82,00 3.228	78,00 3.071	78,00 3.071	65,00 2.559	70,00 2.756	80,00 3.150
20	120,00 4.724	60,00 2.362	87,00 3.425	88,00 3.465	83,00 3.268	83,00 3.268	66,00 2.598	74,00 2.913	86,00 3.386
22	120,00 4.724	60,00 2.362	87,00 3.425	88,00 3.465	83,00 3.268	83,00 3.268	68,00 2.677	74,00 2.913	86,00 3.386
24	114,00 4.488	60,00 2.362	95,00 3.740	95,00 3.740	91,00 3.583	91,00 3.583	66,00 2.598	74,00 2.913	86,00 3.386
28	124,00 4.882	60,00 2.362	94,00 3.700	94,00 3.700	90,00 3.543	90,00 3.543	68,00 2.677	73,00 2.874	87,00 3.425
32	121,00 4.764	60,00 2.362	104,00 4.094	107,00 4.213	100,00 3.937	100,00 3.937	67,00 2.638	73,00 2.874	86,00 3.386
36	118,00 4.646	60,00 2.362	110,00 4.331	111,00 4.370	106,00 4.173	106,00 4.173	72,00 2.835	74,00 2.913	88,00 3.465
40	NA	60,00 2.362	117,00 4.606	117,00 4.606	113,00 4.449	113,00 4.449	74,00 2.913	74,00 2.913	88,00 3.465

ABCIRH

# ABCIRH '03' Style

Connector & Accessory Cont.

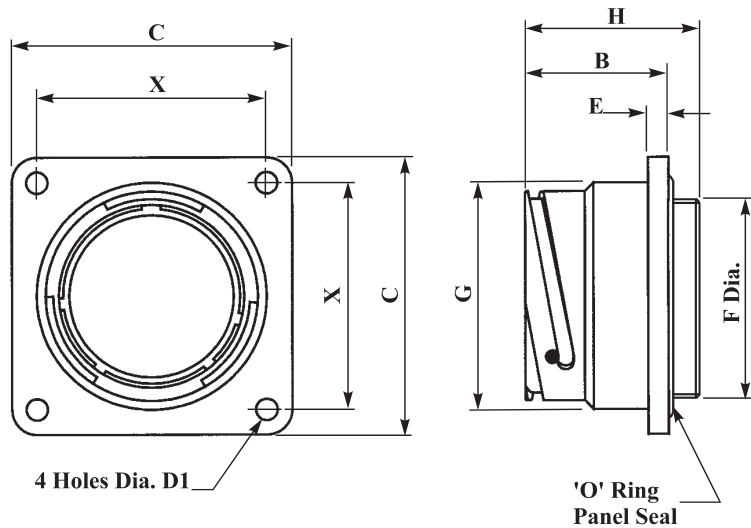


Metric  
Imperial

Shell Size	K	L	M	N	P	R	S	T	U
10SL	50,00 1.969	123,00 4.843	81,00 3.189	122,00 4.803	54,00 2.126	52,00 2.047	83,00 3.268	141,00 5.551	102,00 4.016
14S	50,00 1.969	119,00 4.685	81,00 3.189	118,00 4.646	56,00 2.205	52,00 2.047	83,00 3.268	138,00 5.433	102,00 4.016
16S	50,00 1.969	121,00 4.764	81,00 3.189	115,00 4.528	56,00 2.205	52,00 2.047	83,00 3.268	135,00 5.315	102,00 4.016
16	63,00 2.480	129,00 5.079	94,00 3.700	129,00 5.079	69,00 2.716	66,00 2.598	97,00 3.819	157,00 6.181	126,00 4.961
18	65,00 2.559	130,00 5.118	97,00 3.819	132,00 5.197	72,00 2.835	72,00 2.835	104,00 4.094	154,00 6.063	126,00 4.961
20	65,00 2.559	126,00 4.961	97,00 3.819	129,00 5.079	72,00 2.835	72,00 2.835	104,00 4.094	151,00 5.945	126,00 4.961
22	65,00 2.559	126,00 4.961	97,00 3.819	129,00 5.079	72,00 2.835	72,00 2.835	104,00 4.094	151,00 5.945	126,00 4.961
24	65,00 2.559	113,00 4.449	101,00 3.976	129,00 5.079	72,00 2.835	75,00 2.953	110,00 4.331	148,00 5.827	130,00 5.118
28	65,00 2.559	113,00 4.449	101,00 3.976	130,00 5.118	71,00 2.795	76,00 2.992	111,00 4.370	155,00 6.102	137,00 5.394
32	64,00 2.520	112,00 4.409	106,00 4.173	125,00 4.921	71,00 2.795	75,00 2.953	117,00 4.606	152,00 5.984	143,00 5.630
36	64,00 2.520	112,00 4.409	112,00 4.409	122,00 4.803	71,00 2.795	75,00 2.953	123,00 4.842	148,00 5.827	149,00 5.866
40	64,00 2.520	109,00 4.291	112,00 4.409	120,00 4.724	71,00 2.795	76,00 2.992	118,00 4.646	145,00 5.709	149,00 5.866

# Size 49 Square Flange Front Mounting Receptacle

No Accessory or With Grommet & Grommet Nut  
 AB Styles: ABCIRH04T or ABCIRH04EV

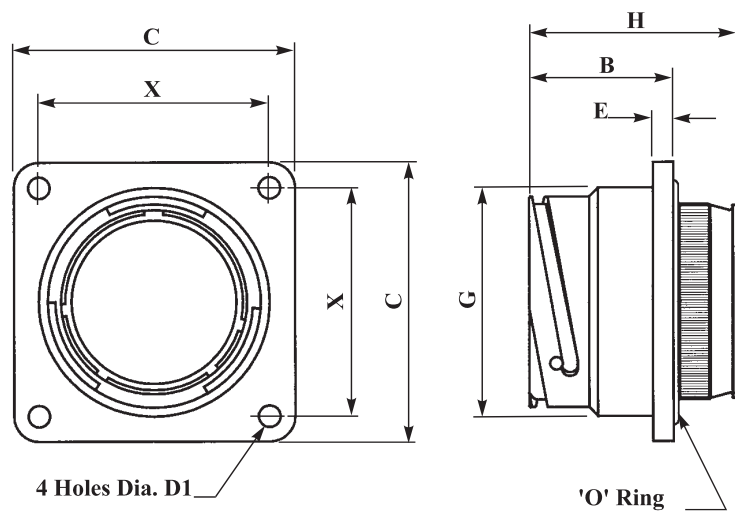


See page 90 for panel mounting details

Metric  
 Imperial

## ABCIRH04T

Shell Size	B	C	D1 +0.2-0 +0.008-0	E	F Thread Dia. Class 2A	G Dia.	H	X
49	56,50 2.224	110,00 4.330	8,50 0.335	8,00 0.315	7	90,00 3.543	62,50 2.460	90,00 3.543



See page 90 for panel mounting details

Metric  
 Imperial

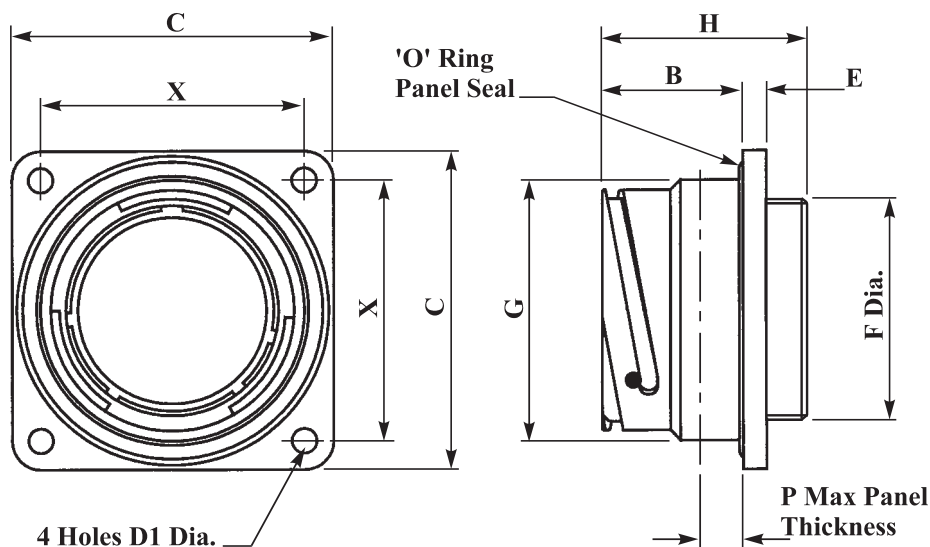
## ABCIRH04EV

Shell Size	B	C	D1 +0.2-0 +0.008-0	E	G Dia.	H	X
49	56,50 2.224	110,00 4.330	8,50 0.335	8,00 0.315	90,00 3.543	81,50 3.209	90,00 3.543

ABCIRH

# Size 49 Square Flange Front Mounting Receptacle

No Accessory or With Grommet & Grommet Nut  
 AB Styles: ABCIRH05T or ABCIRH05EV

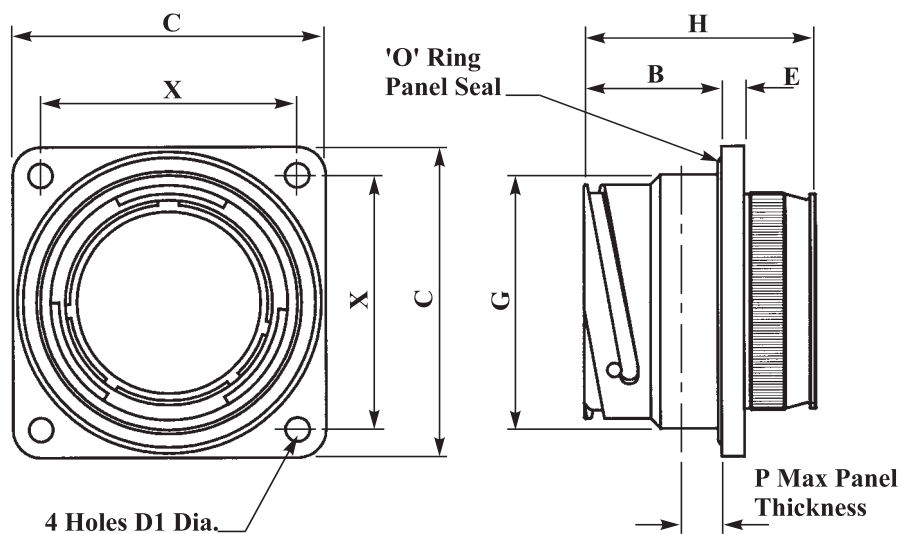


Metric  
 Imperial

## ABCIRH05T

See page 90 for panel mounting details

Shell Size	B	C	D1 +0.2-0 +0.008-0	E	F Thread Dia. Class 2A	G Dia.	H	P	X
49	56,50 2.224	110,00 4.330	8,50 0.335	8,00 0.315	2 7/8" x 16 UN	90,00 3.543	62,50 2.460	15,00 0.590	90,00 3.543



Metric  
 Imperial

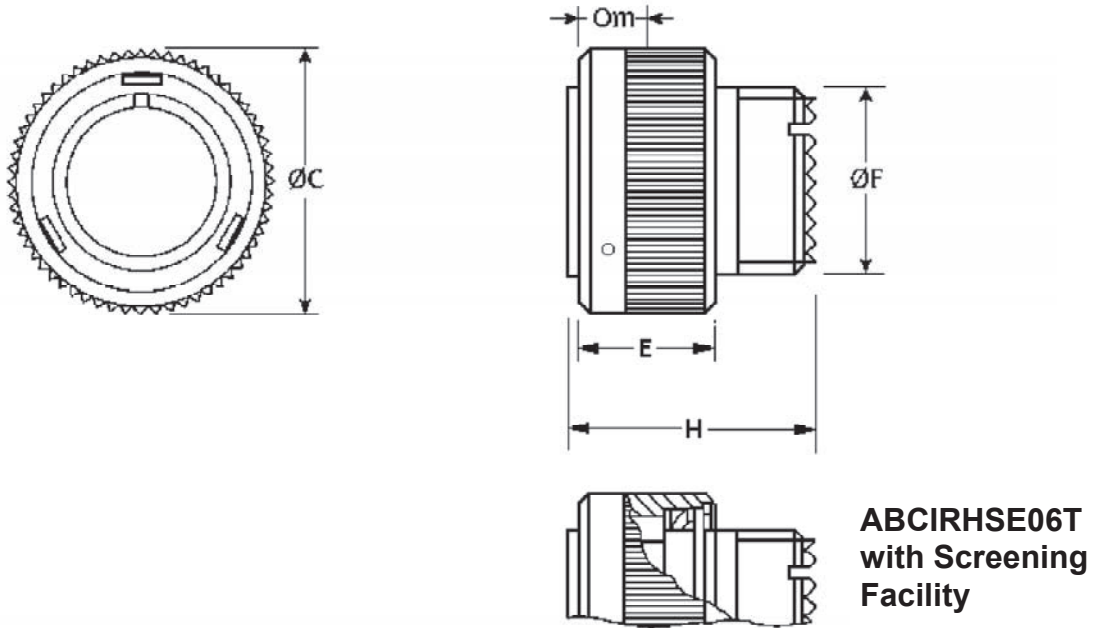
## ABCIRH05EV

See page 90 for panel mounting details

Shell Size	B	C	D1 +0.2-0 +0.008-0	E	G Dia.	H	P	X
49	56,50 2.224	110,00 4.330	8,50 0.335	8,00 0.315	90,00 3.543	81,50 3.209	15,00 0.590	90,00 3.543

# Plug - Fine Knurl Coupling Nut

Style: ABCIRH06T/ABCIRHSE06T



**ABCIRHSE06T  
with Screening  
Facility**

Metric
Imperial

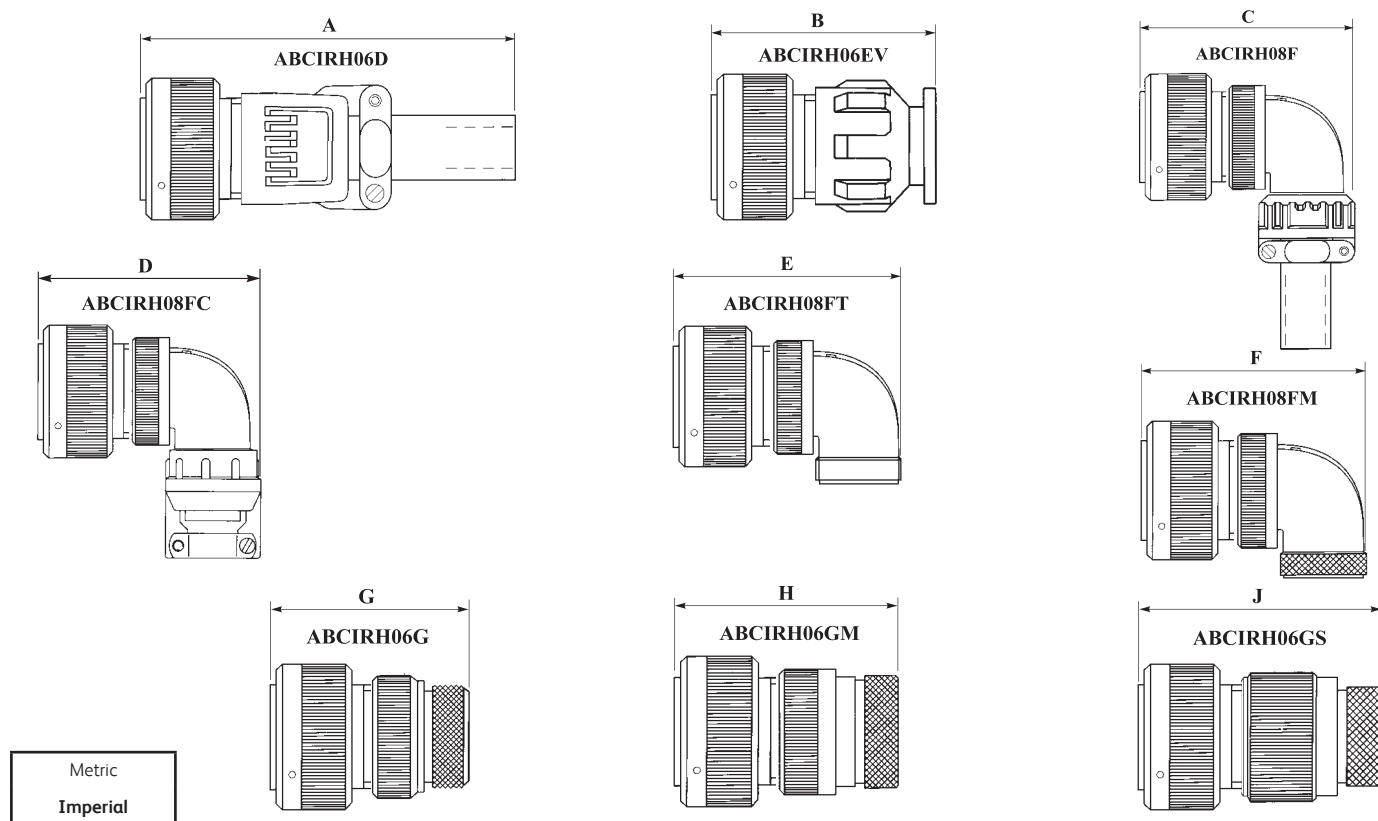
Shell Size	C Max	E Max	F Thread Dia. Class 2A	H Max	Om Min Overlap Mated
10SL	24,20 <b>0.953</b>	17,50 <b>0.689</b>	5/8" x 24 UNEF	28,95 <b>1.140</b>	11,10 <b>0.437</b>
14S	30,60 <b>1.205</b>	17,50 <b>0.689</b>	3/4" x 20 UNEF	28,95 <b>1.140</b>	11,10 <b>0.437</b>
16S	33,40 <b>1.315</b>	17,50 <b>0.689</b>	7/8" x 20 UNEF	28,95 <b>1.140</b>	11,10 <b>0.437</b>
16	33,40 <b>1.315</b>	24,00 <b>0.945</b>	7/8" x 20 UNEF	36,40 <b>1.433</b>	15,85 <b>0.624</b>
18	37,30 <b>1.468</b>	24,00 <b>0.945</b>	1" x 20 UNEF	36,40 <b>1.433</b>	15,85 <b>0.624</b>
20	40,70 <b>1.602</b>	24,00 <b>0.945</b>	1 1/8" x 18 UNEF	36,40 <b>1.433</b>	15,85 <b>0.624</b>
22	44,20 <b>1.740</b>	24,00 <b>0.945</b>	1 1/4" x 18 UNEF	36,40 <b>1.433</b>	15,85 <b>0.624</b>
24	47,70 <b>1.878</b>	24,00 <b>0.945</b>	1 3/8" x 18 UNEF	36,40 <b>1.433</b>	15,75 <b>0.620</b>
28	54,50 <b>2.146</b>	24,00 <b>0.945</b>	1 5/8" x 18 UNEF	36,40 <b>1.433</b>	15,75 <b>0.620</b>
32	61,40 <b>2.417</b>	27,00 <b>1.063</b>	1 7/8" x 16 UN	36,40 <b>1.433</b>	15,75 <b>0.620</b>
36	68,00 <b>2.677</b>	27,00 <b>1.063</b>	2 1/16" x 16 UNS	36,40 <b>1.433</b>	15,75 <b>0.620</b>
40	74,00 <b>2.913</b>	27,00 <b>1.063</b>	2 5/16" x 16 UN	36,40 <b>1.433</b>	15,75 <b>0.620</b>



ABCIRH

# ABCIRH '06' Style

## Connector & Accessory

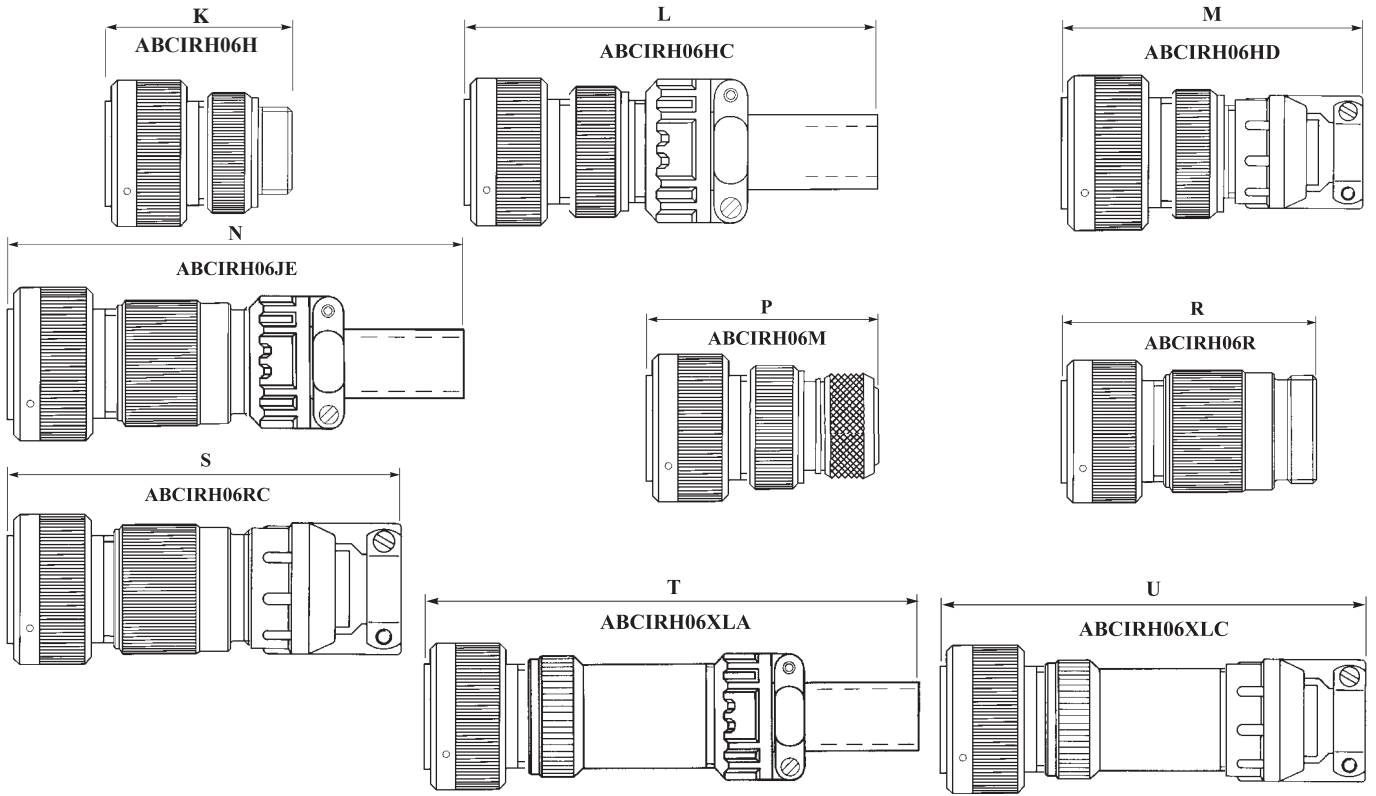


Shell Size	A	B	C	D	E	F	G	H	J
10SL	109,00 4.291	44,00 1.732	57,00 2.244	58,00 2.283	54,00 2.126	54,00 2.126	50,00 1.969	54,00 2.126	*
14S	107,00 4.213	44,00 1.732	61,00 2.402	60,00 2.362	56,00 2.205	57,00 2.244	50,00 1.969	54,00 2.126	*
16S	104,00 4.094	44,00 1.732	64,00 2.520	64,00 2.520	60,00 2.362	60,00 2.362	50,00 1.969	54,00 2.126	*
16	111,00 4.370	54,00 2.126	71,00 2.795	71,00 2.795	68,00 2.677	68,00 2.677	57,00 2.244	65,00 2.559	*
18	115,00 4.528	54,00 2.126	76,00 2.992	76,00 2.992	72,00 2.835	72,00 2.835	59,00 2.323	65,00 2.559	74,00 2.913
20	114,00 4.488	54,00 2.126	81,00 3.190	82,00 3.228	77,00 3.031	78,00 3.071	60,00 2.362	68,00 2.677	80,00 3.150
22	114,00 4.488	54,00 2.126	81,00 3.190	119,00 4.685	78,00 3.071	78,00 3.071	63,00 2.480	68,00 2.677	80,00 3.150
24	109,00 4.291	54,00 2.126	89,00 3.504	90,00 3.543	86,00 3.386	86,00 3.386	60,00 2.362	68,00 2.677	80,00 3.150
28	119,00 4.685	54,00 2.126	88,00 3.465	89,00 3.504	85,00 3.346	85,00 3.346	63,00 2.480	67,00 2.638	81,00 3.189
32	116,00 4.567	54,00 2.126	98,00 3.858	101,00 3.976	95,00 3.740	95,00 3.740	62,00 2.441	67,00 2.638	80,00 3.150
36	112,00 4.409	54,00 2.126	104,00 4.094	105,00 4.134	101,00 3.976	101,00 3.976	67,00 2.638	68,00 2.677	80,00 3.150
40	N/A	54,00 2.126	111,00 4.370	112,00 4.409	107,00 4.213	107,00 4.213	68,00 2.677	68,00 2.677	80,00 3.150

\* Please consult factory for availability.

# ABCIRH '06' or 'SE06' Style

## Connector & Accessory Cont.



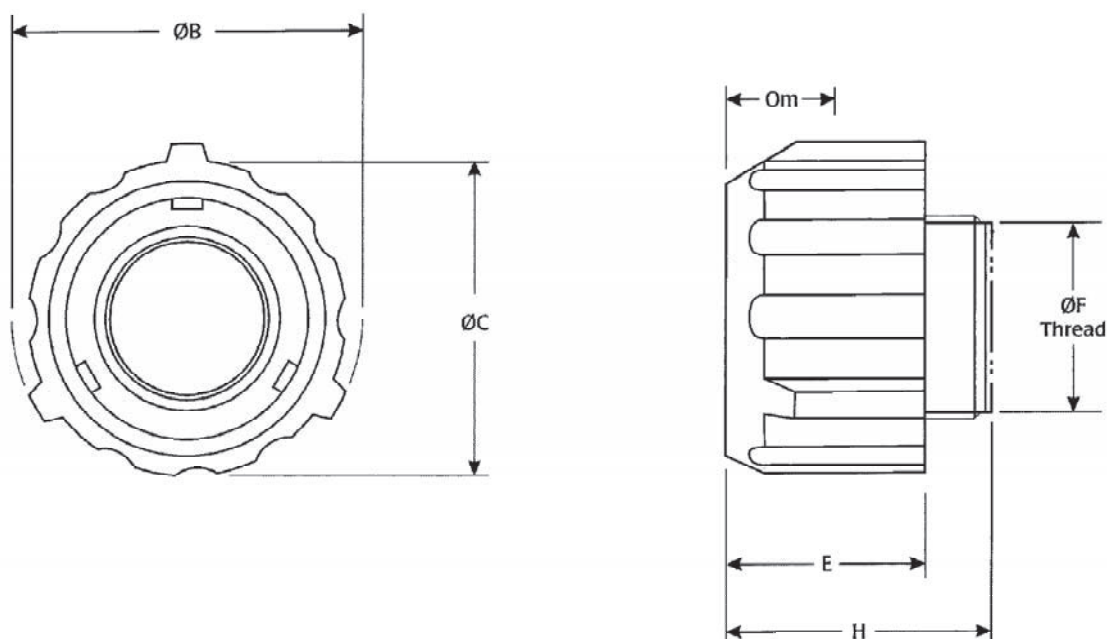
Metric  
Imperial

Shell Size	K	L	M	N	P	R	S	T	U
10SL	50,00 1.969	122,00 4.803	81,00 3.189	121,00 4.764	53,00 2.087	51,00 2.008	82,00 3.228	140,00 5.512	101,00 3.976
14S	50,00 1.969	119,00 4.685	81,00 3.189	118,00 4.646	56,00 2.205	51,00 2.008	82,00 3.228	137,00 5.394	101,00 3.976
16S	50,00 1.969	120,00 4.724	81,00 3.189	115,00 4.528	56,00 2.205	51,00 2.008	82,00 3.228	134,00 5.276	101,00 3.976
16	57,00 2.244	123,00 4.843	88,00 3.465	124,00 4.882	63,00 2.480	60,00 2.362	91,00 3.583	152,00 5.984	121,00 4.764
18	59,00 2.323	124,00 4.882	92,00 3.622	127,00 5.000	66,00 2.598	66,00 2.598	99,00 3.898	149,00 5.866	121,00 4.764
20	59,00 2.323	120,00 4.724	92,00 3.622	123,00 4.843	66,00 2.598	66,00 2.598	99,00 3.898	145,00 5.709	121,00 4.764
22	59,00 2.323	120,00 4.724	92,00 3.622	123,00 4.843	66,00 2.598	66,00 2.598	99,00 3.898	145,00 5.709	121,00 4.764
24	59,00 2.323	107,00 4.213	95,00 3.740	123,00 4.843	66,00 2.598	69,00 2.717	105,00 4.134	142,00 5.591	124,00 4.882
28	59,00 2.323	107,00 4.213	95,00 3.740	124,00 4.882	65,00 2.559	70,00 2.756	106,00 4.173	149,00 5.866	131,00 5.157
32	58,00 2.283	106,00 4.173	100,00 3.937	120,00 4.724	65,00 2.559	69,00 2.717	111,00 4.370	146,00 5.748	137,00 5.394
36	58,00 2.283	106,00 4.173	107,00 4.213	117,00 4.606	65,00 2.559	69,00 2.717	117,00 4.606	143,00 5.630	144,00 5.669
40	58,00 2.283	103,00 4.055	107,00 4.213	114,00 4.488	65,00 2.559	70,00 2.756	112,00 4.409	140,00 5.512	144,00 5.669

ABCIRH

# Plug

Rubber Covered Coupling Nut  
Style: ABCIRHP06T / ABCIRHPSE06T



Metric

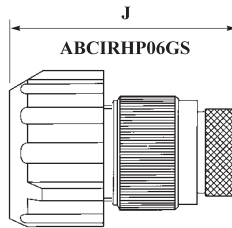
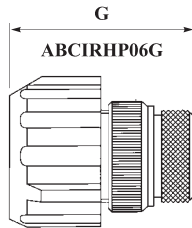
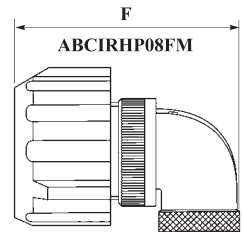
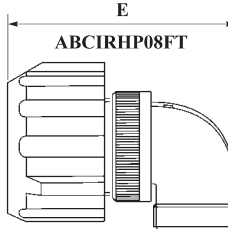
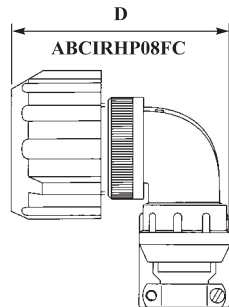
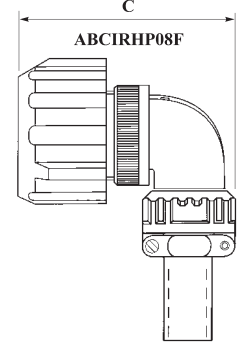
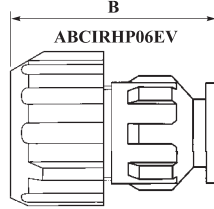
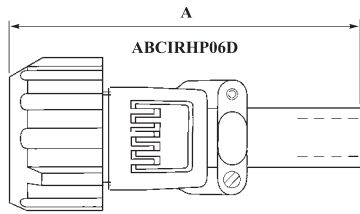
Imperial

Shell Size	B Max	C Max	E Max	F Thread Dia. Class 2A	H Max	Om Min Overlap Mated
*10SL	33,50 <b>1.319</b>	28,50 <b>1.122</b>	19,40 <b>0.764</b>	5/8" x 24 UNEF	29,55 <b>1.163</b>	13,10 <b>0.516</b>
*14S	40,20 <b>1.583</b>	35,20 <b>1.386</b>	19,40 <b>0.764</b>	3/4" x 20 UNEF	29,55 <b>1.163</b>	13,10 <b>0.516</b>
*16S	43,88 <b>1.726</b>	38,90 <b>1.531</b>	19,40 <b>0.764</b>	7/8" x 20 UNEF	29,55 <b>1.163</b>	13,10 <b>0.516</b>
*16	43,88 <b>1.726</b>	38,90 <b>1.531</b>	27,10 <b>1.067</b>	7/8" x 20 UNEF	37,07 <b>1.459</b>	17,85 <b>0.703</b>
18	49,00 <b>1.929</b>	43,50 <b>1.713</b>	27,10 <b>1.067</b>	1" x 20 UNEF	37,07 <b>1.459</b>	17,85 <b>0.703</b>
20	51,50 <b>2.026</b>	46,00 <b>1.811</b>	27,10 <b>1.067</b>	1 1/8" x 18 UNEF	37,07 <b>1.459</b>	17,85 <b>0.703</b>
22	56,00 <b>2.205</b>	50,50 <b>1.988</b>	27,10 <b>1.067</b>	1 1/4" x 18 UNEF	37,07 <b>1.459</b>	17,85 <b>0.703</b>
24	60,00 <b>2.362</b>	54,00 <b>2.126</b>	27,10 <b>1.067</b>	1 3/8" x 18 UNEF	37,07 <b>1.459</b>	17,75 <b>0.669</b>
*28	67,00 <b>2.638</b>	61,00 <b>2.402</b>	27,10 <b>1.067</b>	1 5/8" x 18 UNEF	37,07 <b>1.459</b>	17,75 <b>0.669</b>
*32	76,00 <b>2.992</b>	67,60 <b>2.661</b>	27,10 <b>1.067</b>	1 7/8" x 16 UN	37,07 <b>1.459</b>	17,75 <b>0.669</b>
36	82,30 <b>3.240</b>	74,30 <b>2.925</b>	27,10 <b>1.067</b>	2 1/16" x 16 UNS	37,07 <b>1.459</b>	17,75 <b>0.669</b>
40	88,00 <b>3.465</b>	80,00 <b>3.150</b>	27,10 <b>1.067</b>	2 5/16" x 16 UN	37,07 <b>1.459</b>	17,75 <b>0.669</b>

\* Please consult factory for availability.

# ABCIRHP '06' or 'SE06' Style

## Connector & Accessory



Metric  
Imperial

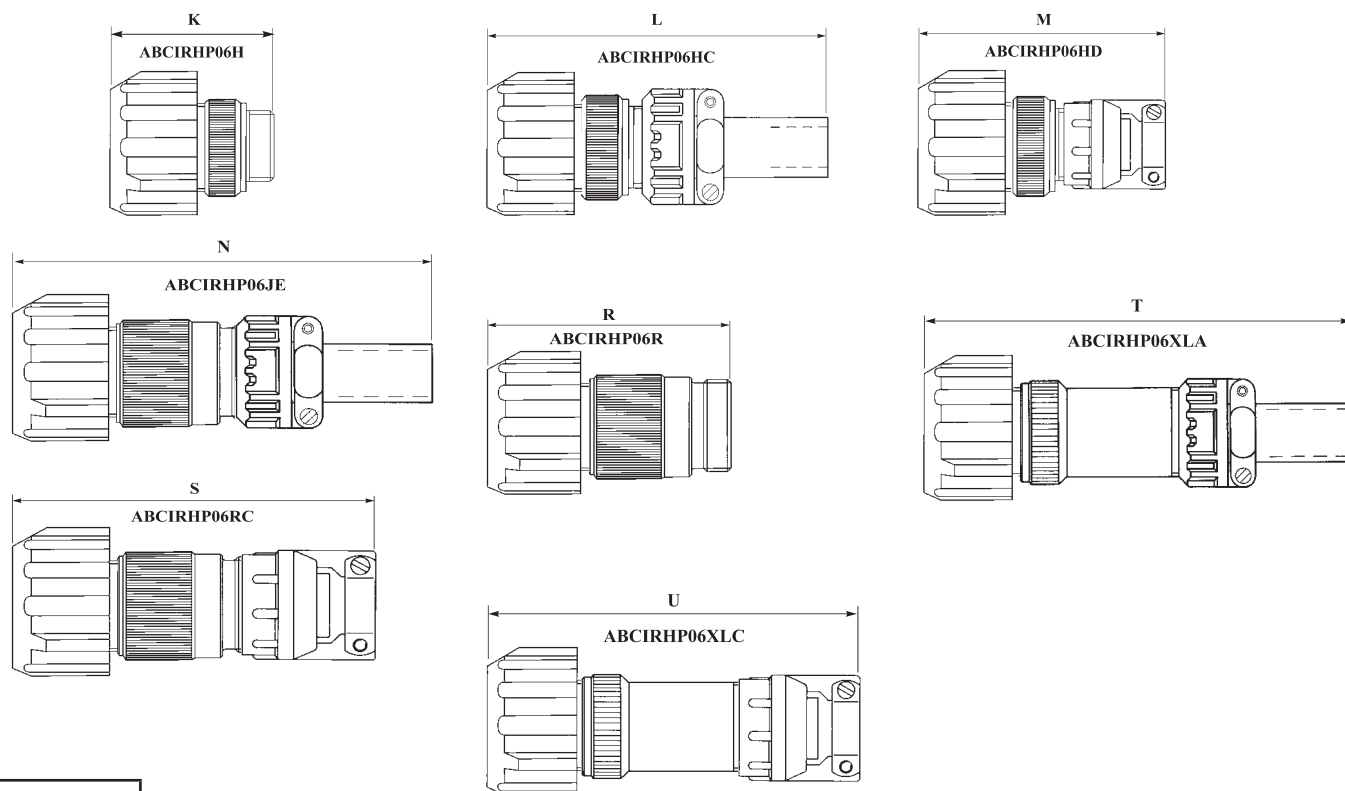
Shell Size	A	B	C	D	E	F	G	J
*10SL	109,00 4.291	44,00 1.732	58,00 2.283	58,00 2.283	55,00 2.165	55,00 2.165	50,00 1.969	*
*14S	108,00 4.252	44,00 1.732	61,00 2.402	61,00 2.402	57,00 2.244	57,00 2.244	50,00 1.969	*
*16S	105,00 4.134	44,00 1.732	65,00 2.559	65,00 2.559	61,00 2.402	61,00 2.402	50,00 1.969	*
*16	112,00 4.409	55,00 2.165	72,00 2.835	72,00 2.835	68,00 2.677	68,00 2.677	58,00 2.283	*
18	116,00 4.567	55,00 2.165	77,00 3.031	77,00 3.031	73,00 2.874	73,00 2.874	60,00 2.362	75,00 2.953
20	115,00 4.528	55,00 2.165	82,00 3.228	83,00 3.268	78,00 3.071	78,00 3.071	61,00 2.402	81,00 3.189
22	115,00 4.528	55,00 2.165	82,00 3.228	83,00 3.268	78,00 3.071	78,00 3.071	64,00 2.520	81,00 3.189
24	109,00 4.291	55,00 2.165	90,00 3.543	90,00 3.543	86,00 3.386	86,00 3.386	61,00 2.402	81,00 3.189
*28	119,00 4.685	55,00 2.165	89,00 3.504	89,00 3.504	85,00 3.346	85,00 3.346	64,00 2.520	82,00 3.228
*32	116,00 4.567	55,00 2.165	99,00 3.898	102,00 4.016	95,00 3.740	95,00 3.740	62,00 2.441	81,00 3.189
36	113,00 4.449	55,00 2.165	105,00 4.134	106,00 4.173	101,00 3.976	101,00 3.976	67,00 2.638	81,00 3.189
40	NA	55,00 2.165	112,00 4.409	112,00 4.409	108,00 4.252	108,00 4.252	69,00 2.717	81,00 3.189

\* Please consult factory for availability.

ABCIRH

# ABCIRHP '06' or 'SE06' Style

## Connector & Accessory Cont.



Metric

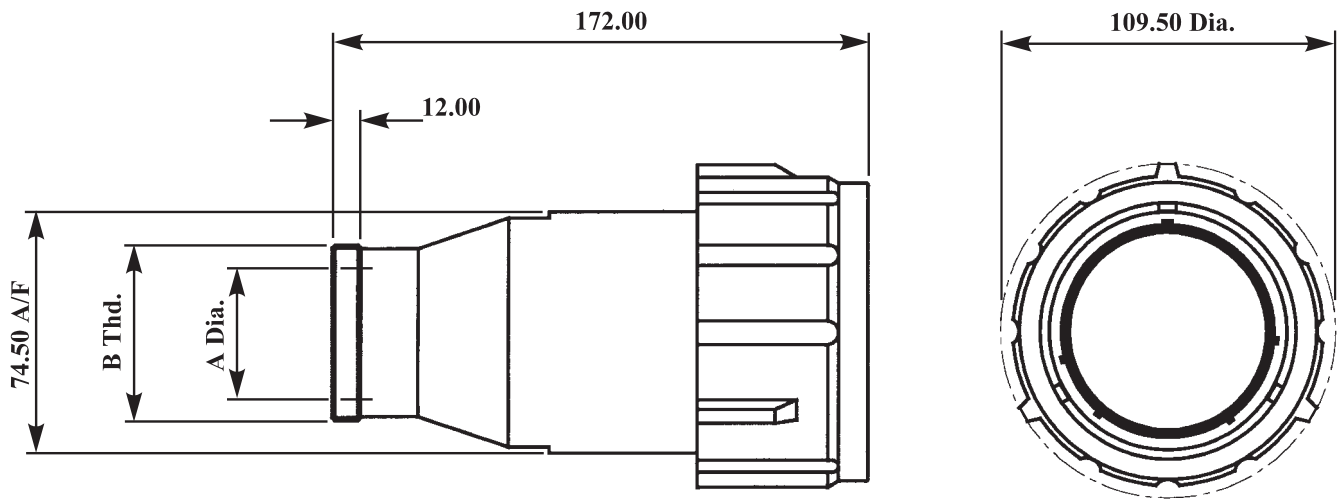
Imperial

Shell Size	K	L	M	N	R	S	T	U
*10SL	51,00 2.008	123,00 4.843	81,00 3.189	122,00 4.803	52,00 2.047	83,00 3.268	140,00 5.512	102,00 4.016
*14S	51,00 2.008	119,00 4.685	81,00 3.189	119,00 4.685	52,00 2.047	83,00 3.268	138,00 5.433	102,00 4.016
*16S	51,00 2.008	121,00 4.764	81,00 3.189	115,00 4.528	52,00 2.047	83,00 3.268	135,00 5.315	102,00 4.016
*16	58,00 2.283	124,00 4.882	89,00 3.504	124,00 4.882	61,00 2.402	92,00 3.622	152,00 5.984	121,00 4.764
18	60,00 2.362	125,00 4.921	93,00 3.661	127,00 5.000	67,00 2.638	99,00 3.898	149,00 5.866	121,00 4.764
20	60,00 2.362	121,00 4.764	93,00 3.661	124,00 4.882	67,00 2.638	99,00 3.898	146,00 5.748	121,00 4.764
22	60,00 2.362	121,00 4.764	93,00 3.661	124,00 4.882	67,00 2.638	99,00 3.898	146,00 5.748	121,00 4.764
24	60,00 2.362	108,00 4.252	96,00 3.780	124,00 4.882	70,00 2.756	106,00 4.173	143,00 5.630	125,00 4.921
*28	60,00 2.362	108,00 4.252	96,00 3.780	125,00 4.921	71,00 2.795	106,00 4.173	150,00 5.906	132,00 5.197
*32	59,00 2.323	107,00 4.213	101,00 3.976	121,00 4.764	70,00 2.756	112,00 4.409	147,00 5.787	138,00 5.433
36	59,00 2.323	107,00 4.213	107,00 4.213	117,00 4.606	70,00 2.756	118,00 4.646	144,00 5.669	144,00 5.669
40	59,00 2.323	104,00 4.094	107,00 4.213	116,00 4.567	71,00 2.795	113,00 4.449	140,00 5.512	144,00 5.669

\* Please consult factory for availability.

# ABCIRH Shell Size 49 Plug With Conduit Adaptor

Rubber Covered Coupling Nut  
 Style: ABCIRHP06GGL or GGS



Metric  
 Imperial

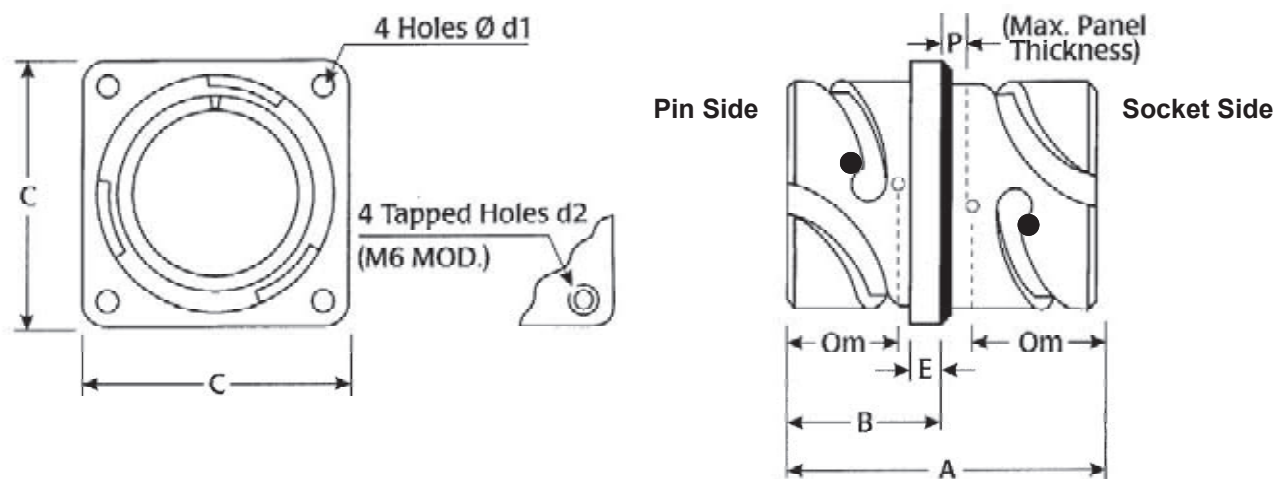
Connector Style	A Dia. Max.	B Thread
ABCIRHP06GGL.....	43,50 1.713	2 1/4" x 16 UN-2A
ABCIRHP06GGS.....	29,00 1.142	1 3/4" x 18 UNEF-2A

\* Please consult factory for availability.

ABCIRH

# Through Bulkhead Receptacle

Style: ABCIRH07/ABCIRH07...M6



**Note.** Maximum panel thickness when using cap head screws. When using countersunk screws, maximum panel thickness = 7.5 mm.

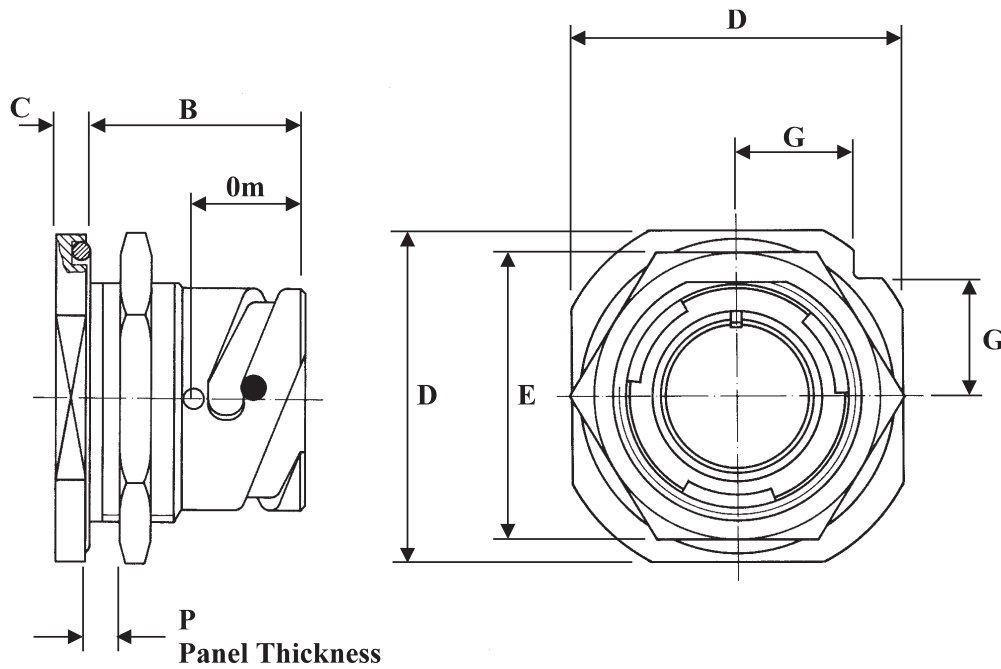
See page 90 for panel mounting details

Metric  
Imperial

Shell Size	A Max	B Max	C Max	d1 +0,2 -0 +0.008-0	d2 Thread	E Max	P See Note	Om Min Overlap Mated
10SL	38,20 1.504	17,60 0.693	25,70 1.012	3,20 0.126	M4	3,00 0.118	3,30 0.130	11,10 0.437
14S	38,20 1.504	18,00 0.709	30,30 1.193	3,20 0.126	M4	3,40 0.134	3,30 0.130	11,10 0.437
16S	38,20 1.504	18,00 0.709	32,80 1.291	3,20 0.123	M4	3,40 0.134	3,30 0.130	11,10 0.437
16	52,10 2.051	22,80 0.898	32,80 1.291	3,20 0.126	M4	3,40 0.134	3,30 0.130	15,85 0.624
18	52,10 2.051	23,60 0.929	35,30 1.390	3,20 0.126	M4	4,20 0.165	3,30 0.130	15,85 0.624
20	52,10 2.051	23,60 0.929	38,30 1.508	3,20 0.126	M4	4,20 0.165	3,30 0.130	15,85 0.624
22	52,10 2.051	23,60 0.929	41,30 1.626	3,20 0.126	M4	4,20 0.165	3,30 0.130	15,75 0.620
24	52,10 2.051	25,20 0.992	44,80 1.764	3,70 0.146	M4	4,20 0.165	3,30 0.130	15,75 0.620
28	52,10 2.051	25,20 0.992	51,10 2.012	3,70 0.146	M5	4,20 0.165	3,30 0.130	15,75 0.620
32	52,10 2.051	26,80 1.055	57,30 2.256	4,30 0.169	M5	4,20 0.165	3,30 0.130	15,75 0.620
36	52,10 2.051	26,80 1.055	63,80 2.512	4,30 0.169	M5	4,20 0.165	3,30 0.130	15,75 0.620
40	52,10 2.051	26,80 1.055	70,20 2.764	4,30 0.169	M5	4,20 0.165	3,30 0.130	15,75 0.620

# Single Hole Mounting Receptacle

Rear Mounted (No Accessory Thread)  
 Style: ABCIRH09A



See page 91 for panel mounting details

Metric
Imperial

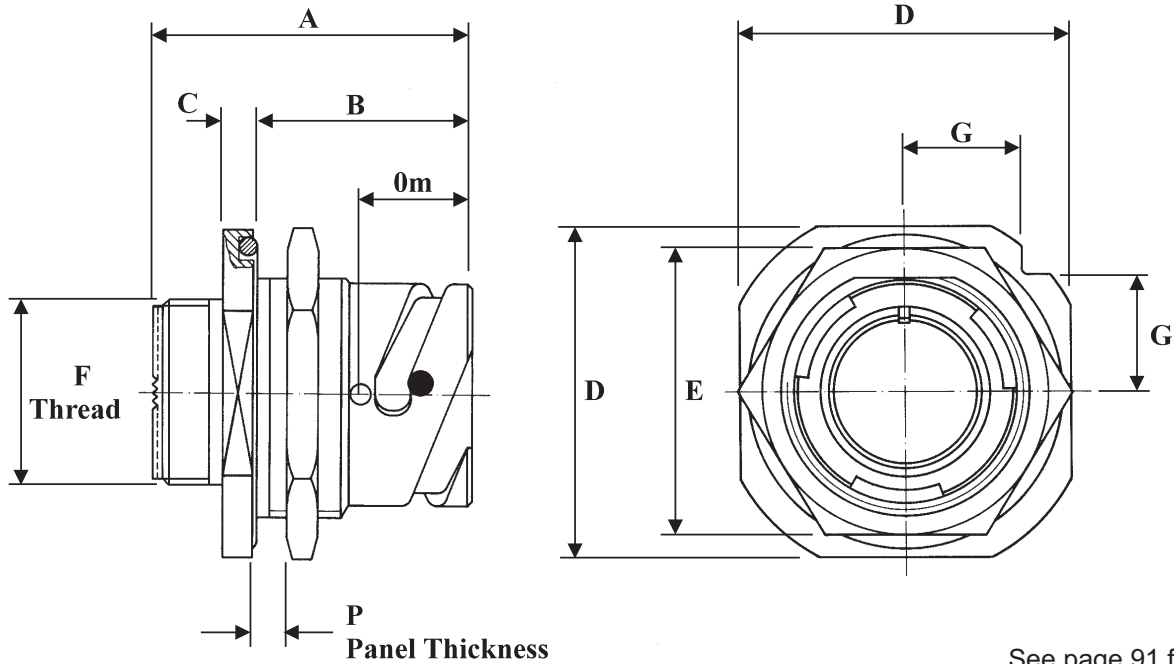
Shell Size	B	C	D Max	E	G	P		Om Min Overlap Mated
						Min	Max	
10SL	24,50 0.965	4,00 0.157	32,05 1.262	27,00 1.063	11,20 0.441	2,40 0.094	5,20 0.205	11,10 0.437
14S	26,80 1.055	4,80 0.189	41,55 1.636	33,00 1.299	14,60 0.575	2,40 0.094	7,50 0.295	11,10 0.437
16S	26,80 1.055	4,80 0.189	44,65 1.758	38,10 1.500	15,70 0.618	2,40 0.094	7,50 0.295	11,10 0.437
16	32,10 1.264	4,80 0.189	44,65 1.758	38,10 1.500	15,70 0.618	2,40 0.094	7,50 0.295	15,85 0.624
18	33,70 1.327	4,80 0.189	47,85 1.884	39,70 1.563	16,80 0.661	2,40 0.094	9,00 0.354	15,85 0.624
20	33,70 1.327	4,80 0.189	51,05 2.034	44,00 1.732	18,00 0.709	2,40 0.094	9,00 0.354	15,85 0.624
22	33,70 1.327	4,80 0.189	54,45 2.144	46,00 1.811	20,20 0.795	2,40 0.094	9,10 0.358	15,75 0.620
24	33,70 1.327	4,80 0.189	57,45 2.262	50,80 2.000	20,20 0.795	2,40 0.094	9,10 0.358	15,75 0.620
28	35,20 1.386	5,60 0.220	63,75 2.510	55,00 2.165	22,50 0.886	2,40 0.094	8,50 0.335	15,75 0.620
32	35,20 1.386	5,60 0.220	70,05 2.758	62,00 2.441	24,70 0.972	2,40 0.094	8,50 0.335	15,75 0.620
36	35,20 1.386	5,60 0.220	76,45 3.010	71,00 2.795	26,90 1.059	2,40 0.094	8,30 0.327	15,75 0.620
40	35,20 1.386	5,60 0.220	83,75 3.297	75,00 2.953	29,60 1.165	2,40 0.094	8,30 0.327	15,75 0.620



ABCIRH

# Single Hole Mounting Receptacle

Rear Mounted Style: ABCIRH09T



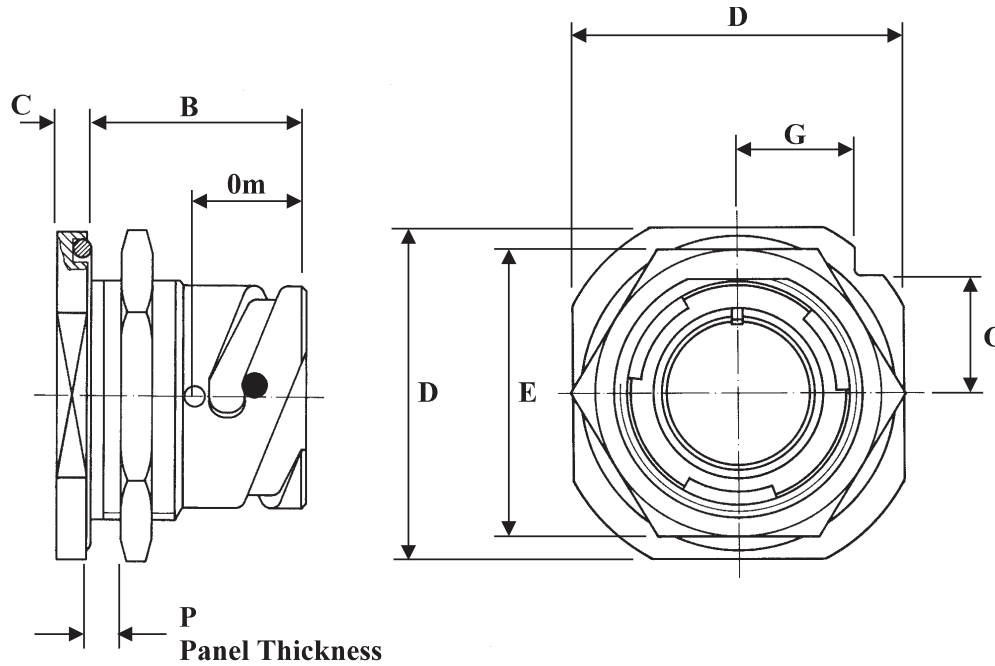
See page 91 for panel mounting details

Metric
Imperial

Shell Size	A Max	B	C	D Max	E	F Thread Dia. Class 2A	G	P		Om Min Overlap Mated
								Min	Max	
10SL	36,45 1.435	24,50 0.965	4,00 0.157	32,05 1.262	27,00 1.063	5/8" x 24 UNEF	11,20 0.441	2,40 0.094	5,20 0.205	11,10 0.437
14S	39,15 1.541	26,80 1.055	4,80 0.189	41,55 1.636	33,00 1.299	3/4" x 20 UNEF	14,60 0.575	2,40 0.094	7,50 0.295	11,10 0.437
16S	39,15 1.541	26,80 1.055	4,80 0.189	44,65 1.758	38,10 1.500	7/8" x 20 UNEF	15,70 0.618	2,40 0.094	7,50 0.295	11,10 0.437
16	48,75 1.919	32,10 1.264	4,80 0.189	44,65 1.758	38,10 1.500	7/8" x 20 UNEF	15,70 0.618	2,40 0.094	7,50 0.295	15,85 0.624
18	49,55 1.951	33,70 1.327	4,80 0.189	47,85 1.884	39,70 1.563	1" x 20 UNEF	16,80 0.661	2,40 0.094	9,00 0.354	15,85 0.624
20	49,55 1.951	33,70 1.327	4,80 0.189	51,05 2.034	44,00 1.732	1 1/8" x 18 UNEF	18,00 0.709	2,40 0.094	9,00 0.354	15,85 0.624
22	49,55 1.951	33,70 1.327	4,80 0.189	54,45 2.144	46,00 1.811	1 1/4" x 18 UNEF	20,20 0.795	2,40 0.094	9,10 0.358	15,75 0.620
24	49,55 1.951	33,70 1.327	4,80 0.189	57,45 2.262	50,80 2.000	1 3/8" x 18 UNEF	20,20 0.795	2,40 0.094	9,10 0.358	15,75 0.620
28	52,15 2.053	35,20 1.386	5,60 0.220	63,75 2.510	55,00 2.165	1 5/8" x 18 UNEF	22,50 0.886	2,40 0.094	8,50 0.335	15,75 0.620
32	52,15 2.053	35,20 1.386	5,60 0.220	70,05 2.758	62,00 2.441	1 7/8" x 16 UN	24,70 0.972	2,40 0.094	8,50 0.335	15,75 0.620
36	52,15 2.053	35,20 1.386	5,60 0.220	76,45 3.010	71,00 2.795	2 1/16" x 16 UNS	26,90 1.059	2,40 0.094	8,30 0.327	15,75 0.620
40	52,15 2.053	35,20 1.386	5,60 0.220	83,75 3.297	75,00 2.953	2 5/16" x 16 UN	29,60 1.165	2,40 0.094	8,30 0.327	15,75 0.620

# ABCIRH '09' Style

## Connector & Accessor



See page 91 for panel mounting details

Metric
<b>Imperial</b>

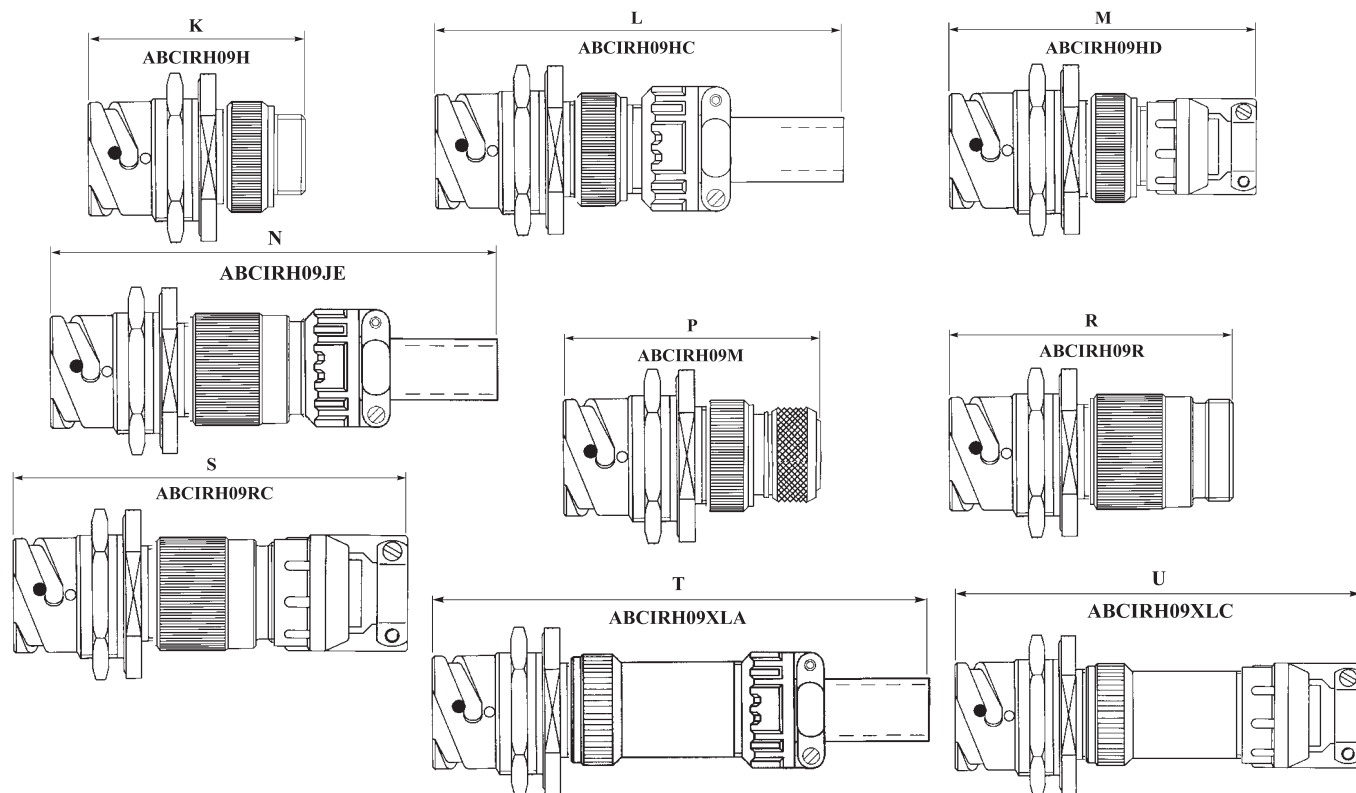
Shell Size	A	B	++C	++D	++E	++F	++G	++H	J
10SL	116,00 4.567	51,00 2.008	65,00 2.560	65,00 2.560	61,00 2.402	61,00 2.402	57,00 2.244	61,00 2.402	*
14S	117,00 4.606	54,00 2.126	70,00 2.756	71,00 2.795	67,00 2.638	67,00 2.638	60,00 2.362	64,00 2.520	*
16S	114,00 4.488	54,00 2.126	72,00 2.835	74,00 2.913	70,00 2.756	70,00 2.756	60,00 2.362	64,00 2.520	*
16	124,00 4.882	67,00 2.638	84,00 3.307	83,00 3.268	78,00 3.071	80,00 3.150	69,00 2.717	77,00 3.031	*
18	128,00 5.040	68,00 2.677	89,00 3.504	89,00 3.504	85,00 3.346	85,00 3.346	72,00 2.835	78,00 3.071	88,00 3.465
20	127,00 5.000	68,00 2.677	94,00 3.700	95,00 3.740	91,00 3.583	91,00 3.583	73,00 2.875	82,00 3.228	93,00 3.661
22	127,00 5.000	68,00 2.677	94,00 3.700	96,00 3.780	91,00 3.583	91,00 3.583	76,00 2.992	82,00 3.228	94,00 3.700
24	122,00 4.803	68,00 2.677	102,00 4.016	103,00 4.055	99,00 3.898	99,00 3.898	73,00 2.875	82,00 3.228	94,00 3.700
28	135,00 5.315	70,00 2.756	104,00 4.094	105,00 4.134	101,00 3.976	101,00 3.976	79,00 3.110	83,00 3.268	97,00 3.700
32	131,00 5.157	70,00 2.756	114,00 4.488	117,00 4.606	111,00 4.370	111,00 4.370	77,00 3.031	83,00 3.268	96,00 3.780
36	128,00 5.040	70,00 2.756	120,00 4.724	121,00 4.764	117,00 4.606	117,00 4.606	83,00 3.268	84,00 3.307	96,00 3.780
40	NA	70,00 2.756	127,00 5.000	128,00 5.039	123,00 4.843	123,00 4.843	84,00 3.307	84,00 3.307	96,00 3.780

\* Please consult factory for availability. ++ For connector with locking accessory, please refer to the Sales office.

ABCIRH

# ABCIRH '09' Style

## Connector & Accessor Cont.



Metric

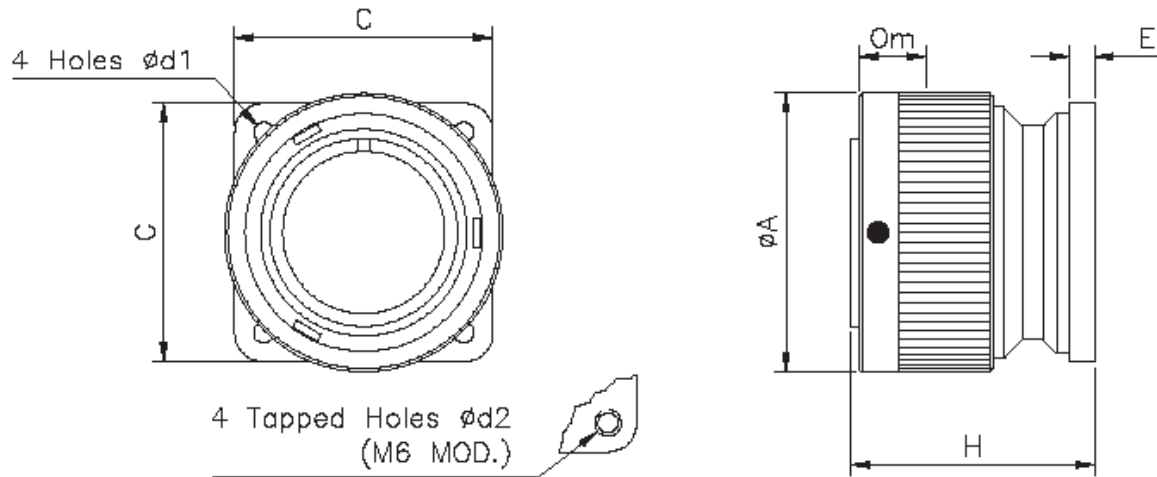
Imperial

Shell Size	++K	++L	++M	N	++P	R	S	++T	++U
10SL	57,00 2.244	130,00 5.118	88,00 3.465	130,00 5.118	61,00 2.402	59,00 2.323	90,00 3.543	148,00 5.827	109,00 4.291
14S	60,00 2.362	129,00 5.079	91,00 3.583	128,00 5.039	66,00 2.598	61,00 2.402	92,00 3.622	147,00 5.787	112,00 4.409
16S	60,00 2.362	131,00 5.157	91,00 3.583	125,00 4.921	66,00 2.598	61,00 2.402	92,00 3.622	144,00 5.669	112,00 4.409
16	72,00 2.835	135,00 5.315	101,00 3.976	136,00 5.354	76,00 2.992	72,00 2.835	103,00 4.055	134,00 5.276	133,00 5.236
18	73,00 2.875	138,00 5.433	105,00 4.134	140,00 5.512	80,00 3.150	79,00 3.110	112,00 4.409	162,00 6.378	134,00 5.276
20	73,00 2.875	133,00 5.236	105,00 4.134	137,00 5.394	80,00 3.150	79,00 3.110	112,00 4.409	159,00 6.260	134,00 5.276
22	73,00 2.875	133,00 5.236	105,00 4.134	137,00 5.394	80,00 3.150	79,00 3.110	112,00 4.409	159,00 6.260	134,00 5.276
24	73,00 2.875	120,00 4.724	108,00 4.252	137,00 5.394	80,00 3.150	79,00 3.110	112,00 4.409	159,00 6.260	134,00 5.276
28	75,00 2.953	123,00 4.843	112,00 4.409	140,00 5.512	81,00 3.189	86,00 3.386	121,00 4.764	165,00 6.496	147,00 5.787
32	74,00 2.913	122,00 4.803	116,00 4.567	136,00 5.354	81,00 3.189	85,00 3.346	127,00 5.000	162,00 6.378	153,00 6.024
36	74,00 2.913	122,00 4.803	122,00 4.803	133,00 5.236	81,00 3.189	85,00 3.346	133,00 5.236	159,00 6.260	159,00 6.260
40	74,00 2.913	119,00 4.685	123,00 4.843	131,00 5.157	81,00 3.189	86,00 3.386	128,00 5.039	155,00 6.102	159,00 6.260

\* Please consult factory for availability. ++ For connector with locking accessory, please refer to the Sales office.

# Panel Mounted Plug (No Accessory Thread)

Style: ABCIRH12A/ABCIRH12A...M6



Note: No provision for rear sealing - contact factory if required

See page 90 for panel mounting details

Metric

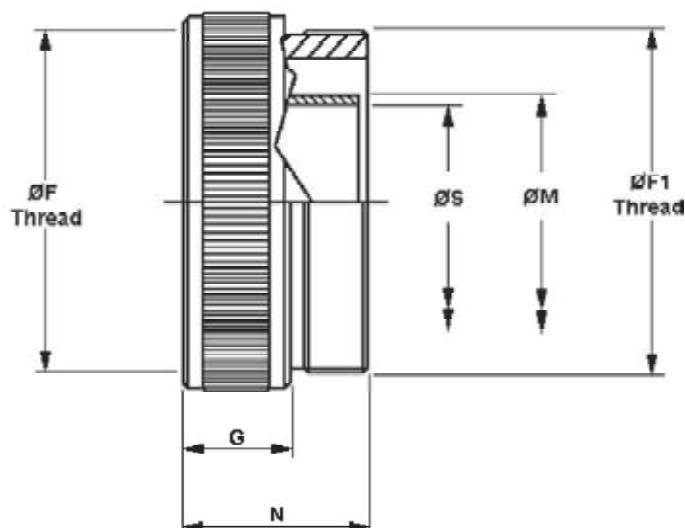
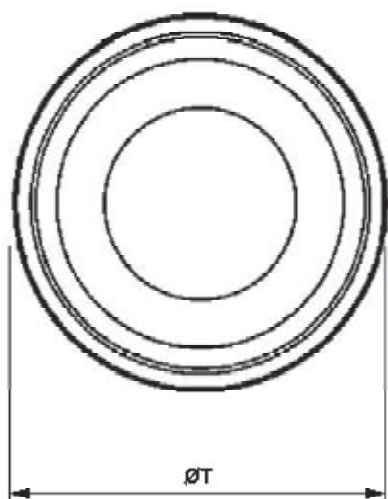
Imperial

Shell Size	A Max.	C Max.	d1 +0.2, -0 mm	d2 Thread	E Max.	H Max.	Om Min. Overlap, mated
10SL	24,20 <b>0.953</b>	25,70 <b>1.012</b>	3,20 <b>0.126</b>	M4	3,00 <b>0.118</b>	28,10 <b>1.106</b>	11,10 <b>0.437</b>
14S	30,60 <b>1.205</b>	30,30 <b>1.193</b>	3,20 <b>0.126</b>	M4	3,40 <b>0.134</b>	28,10 <b>1.106</b>	11,10 <b>0.437</b>
16S	33,40 <b>1.315</b>	32,80 <b>1.291</b>	3,20 <b>0.126</b>	M4	3,40 <b>0.134</b>	28,10 <b>1.106</b>	11,10 <b>0.437</b>
16	33,40 <b>1.315</b>	32,80 <b>1.291</b>	3,20 <b>0.126</b>	M4	3,40 <b>0.134</b>	37,60 <b>1.480</b>	15,85 <b>0.624</b>
18	37,30 <b>1.469</b>	35,30 <b>1.390</b>	3,20 <b>0.126</b>	M4	4,20 <b>0.165</b>	38,60 <b>1.519</b>	15,85 <b>0.624</b>
20	40,70 <b>1.602</b>	38,30 <b>1.508</b>	3,20 <b>0.126</b>	M4	4,20 <b>0.165</b>	38,60 <b>1.519</b>	15,85 <b>0.624</b>
22	44,20 <b>1.740</b>	41,30 <b>1.626</b>	3,20 <b>0.126</b>	M4	4,20 <b>0.165</b>	38,60 <b>1.519</b>	15,85 <b>0.624</b>
24	47,70 <b>1.878</b>	44,80 <b>1.764</b>	3,20 <b>0.126</b>	M4	4,20 <b>0.165</b>	41,00 <b>1.614</b>	15,75 <b>0.620</b>
28	54,50 <b>2.146</b>	51,10 <b>2.012</b>	3,20 <b>0.126</b>	M5	4,20 <b>0.165</b>	41,80 <b>1.646</b>	15,75 <b>0.620</b>
32	61,40 <b>2.417</b>	57,30 <b>2.256</b>	4,30 <b>0.169</b>	M5	4,20 <b>0.165</b>	45,00 <b>1.772</b>	15,75 <b>0.620</b>
36	68,00 <b>2.677</b>	63,80 <b>2.512</b>	4,30 <b>0.169</b>	M5	4,20 <b>0.165</b>	45,00 <b>1.772</b>	15,75 <b>0.620</b>
40	74,00 <b>2.913</b>	70,20 <b>2.764</b>	4,30 <b>0.169</b>	M5	4,20 <b>0.165</b>	45,00 <b>1.772</b>	15,75 <b>0.620</b>

ABCIRH

# Conduit Adaptor With Braid Screen Trap - No Grommet

Accessory Type 'RM'  
Style: ABB - \*\* -CRA



Metric  
Imperial

Note.  
This accessory can only be used in conjunction with style 'H' or 'FT' adaptor.

How to order:

ABB - \*\* - CRA

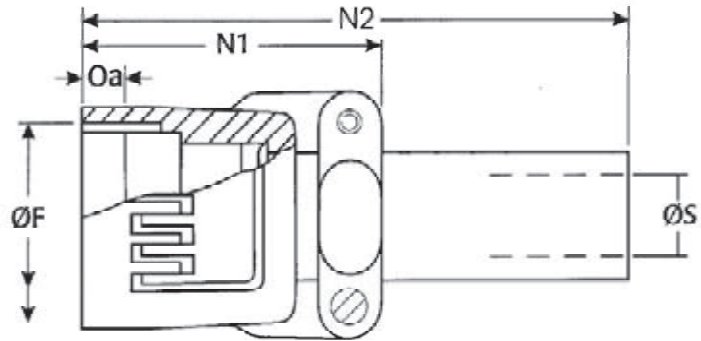
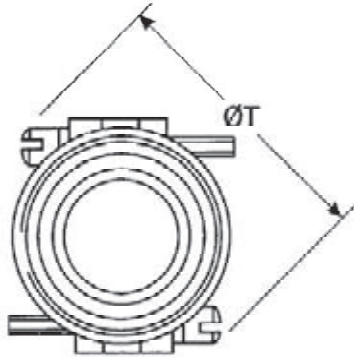
Shell size

Shell Size	F Thread Dia. Class 2B	F1 Thread Dia. Class 2A	G Max	N Max	S Min	T Max	M Max
*10SL	5/8" x 24 UNEF	3/4" x 20 UNEF	11,00 0.433	23,10 0.909	8,40 0.331	18,50 0.728	10,10 0.398
14S	3/4" x 20 UNEF	7/8" x 20 UNEF	10,00 0.394	27,60 1.087	8,51 0.335	21,53 0.848	11,71 0.461
16S	7/8" x 20 UNEF	1" x 20 UNEF	10,00 0.394	27,60 1.087	9,74 0.383	25,50 1.004	13,10 0.516
16	7/8" x 20 UNEF	1" x 20 UNEF	11,00 0.433	30,60 1.205	9,74 0.383	25,50 1.004	13,10 0.516
18	1" x 20 UNEF	1 3/16" x 18 UNEF	11,00 0.433	30,60 1.205	12,90 0.508	29,10 1.146	16,26 0.640
20	1 3/16" x 18 UNEF	1 7/16" x 18 UNEF	11,00 0.433	30,60 1.205	18,23 0.718	35,45 1.396	21,51 0.847
22	1 3/16" x 18 UNEF	1 7/16" x 18 UNEF	11,00 0.433	30,60 1.205	18,23 0.718	35,45 1.396	21,51 0.847
24	1 7/16" x 18 UNEF	1 3/4" x 18 UNS	11,00 0.433	30,60 1.205	25,93 1.021	43,60 1.717	29,21 1.150
28	1 7/16" x 18 UNEF	1 3/4" x 18 UNS	11,00 0.433	30,60 1.205	25,93 1.021	43,60 1.717	29,21 1.150
32	1 3/4" x 18 UNS	1 3/4" x 18 UNS	13,00 0.512	30,60 1.205	25,93 1.021	49,55 1.951	29,21 1.150
36	2" x 18 UNS	2" x 18 UNS	13,00 0.512	30,60 1.205	32,00 1.260	55,90 2.201	35,19 1.385
40	2 1/4" x 16 UN	2 1/4" x 16 UN	13,00 0.512	30,60 1.205	32,33 1.273	63,10 2.484	35,60 1.402

Please consult factory for availability.

# Non-Locking Cable Clamp With Grommet & Follower

Accessory Type 'D'  
 Style: ABBH - \*\* - \*\* - OCN - F80



How to order:  
**ABBH - \*\* - \*\* - OCN - F80**

Shell size ————

Contact arrangement ————

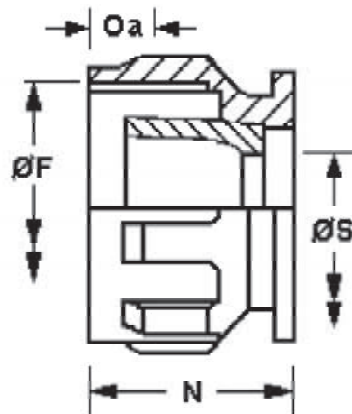
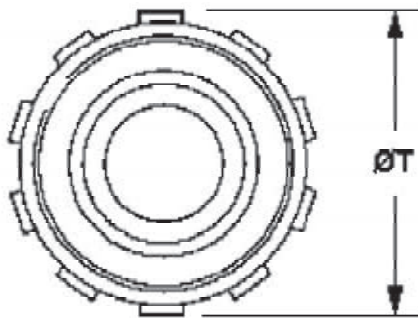
Metric  
**Imperial**

Shell Size	F Thread Dia. Class 2B	N1 Max	N2 Max	S Min/Max	T Max	Oa Min Overlap Accessory
10SL	5/8" x 24 UNEF	36,42 <b>1.434</b>	86,68 <b>3.413</b>	3,68/5,76 <b>0.145/0.227</b>	35,15 <b>1.384</b>	7,00 <b>0.276</b>
14S	3/4" x 20 UNEF	27,41 <b>1.079</b>	85,04 <b>3.348</b>	4,62/8,10 <b>0.182/0.319</b>	39,88 <b>1.570</b>	7,00 <b>0.276</b>
16S	7/8" x 20 UNEF	27,41 <b>1.079</b>	81,99 <b>3.228</b>	7,82/11,30 <b>0.308/0.444</b>	41,45 <b>1.632</b>	7,00 <b>0.276</b>
16	7/8" x 20 UNEF	27,41 <b>1.079</b>	81,99 <b>3.228</b>	7,82/11,30 <b>0.308/0.444</b>	41,45 <b>1.632</b>	7,00 <b>0.276</b>
18	1" x 20 UNEF	44,68 <b>1.759</b>	85,55 <b>3.368</b>	8,79/14,45 <b>0.346/0.569</b>	45,52 <b>1.792</b>	7,00 <b>0.276</b>
20	1	44,68 <b>1.759</b>	84,61 <b>3.331</b>	10,54/16,00 <b>0.415/0.632</b>	49,63 <b>1.954</b>	7,00 <b>0.276</b>
22	1	44,68 <b>1.759</b>	84,61 <b>3.331</b>	10,54/16,00 <b>0.415/0.632</b>	49,63 <b>1.954</b>	7,00 <b>0.276</b>
24	3	44,68 <b>1.759</b>	79,20 <b>3.118</b>	14,55/19,23 <b>0.573/0.757</b>	56,29 <b>2.216</b>	7,00 <b>0.276</b>
28	5	54,79 <b>2.157</b>	89,31 <b>3.516</b>	14,15/19,23 <b>0.557/0.757</b>	60,45 <b>2.380</b>	7,00 <b>0.276</b>
32	7	54,79 <b>2.157</b>	86,13 <b>3.390</b>	19,18/23,98 <b>0.755/0.944</b>	68,43 <b>2.694</b>	7,00 <b>0.276</b>
36	1	54,79 <b>2.157</b>	82,98 <b>3.267</b>	24,51/31,93 <b>0.965/1.257</b>	71,68 <b>2.822</b>	7,00 <b>0.276</b>

ABCIRH

# Non-Locking Cable Clamp With Grommet & Follower

Accessory Type 'EV'  
 Style: ABBH - \*\* - \*\* - EV - F80



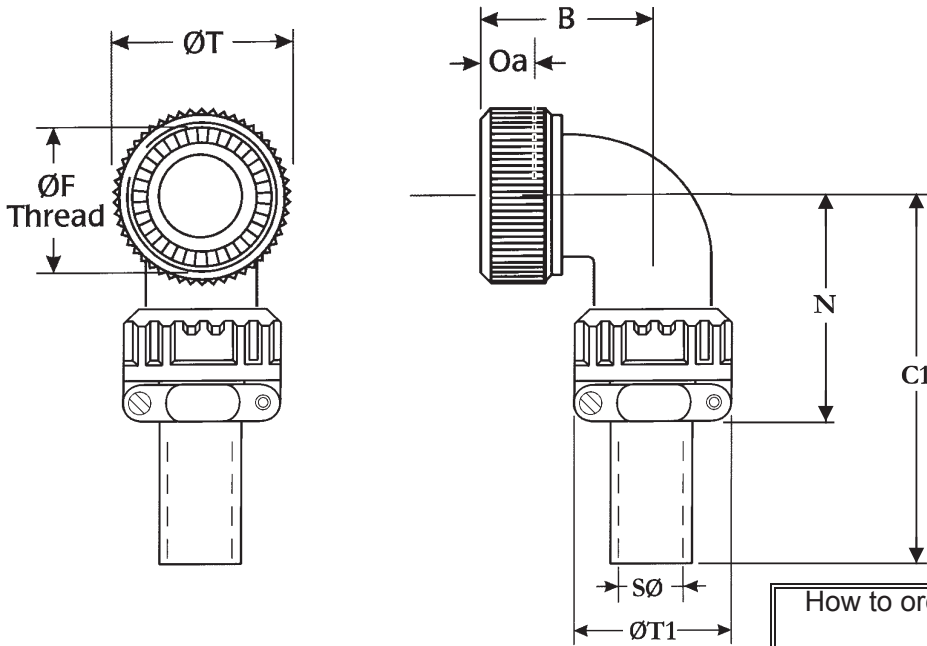
How to order:  
**ABBH - \*\* - \*\* - EV - F80**  
 Shell size \_\_\_\_\_  
 Contact arrangement \_\_\_\_\_

Metric  
 Imperial

Shell Size	T Max	F Thread Dia. Class 2B	N Max	S Min	Oa Min Overlap # Accessory
10SL	21,60 <b>0.850</b>	5/8" x 24 UNEF	20,83 <b>0.820</b>	8,60 <b>0.339</b>	6,10 <b>0.240</b>
14S	24,80 <b>0.976</b>	3/4" x 20 UNEF	20,83 <b>0.820</b>	11,10 <b>0.437</b>	6,10 <b>0.240</b>
16S	28,70 <b>1.130</b>	7/8" x 20 UNEF	20,83 <b>0.820</b>	14,30 <b>0.563</b>	6,10 <b>0.240</b>
16	28,70 <b>1.130</b>	7/8" x 20 UNEF	25,53 <b>1.005</b>	14,30 <b>0.563</b>	7,60 <b>0.300</b>
18	31,90 <b>1.256</b>	1" x 20 UNEF	25,53 <b>1.005</b>	16,70 <b>0.657</b>	7,60 <b>0.300</b>
20	34,90 <b>1.374</b>	1 1/8" x 18 UNEF	25,53 <b>1.005</b>	19,80 <b>0.780</b>	7,60 <b>0.300</b>
22	38,20 <b>1.504</b>	1 1/4" x 18 UNEF	25,53 <b>1.005</b>	21,34 <b>0.840</b>	7,60 <b>0.300</b>
24	41,40 <b>1.630</b>	1 3/8" x 18 UNEF	25,53 <b>1.005</b>	25,40 <b>1.000</b>	7,60 <b>0.300</b>
28	47,80 <b>1.882</b>	1 5/8" x 18 UNEF	25,53 <b>1.005</b>	30,13 <b>1.186</b>	7,60 <b>0.300</b>
32	54,10 <b>2.130</b>	1 7/8" x 16 UN	25,53 <b>1.005</b>	36,73 <b>1.446</b>	7,60 <b>0.300</b>
36	58,70 <b>2.311</b>	2 1/16" x 16 UNS	25,53 <b>1.005</b>	41,00 <b>1.614</b>	7,60 <b>0.300</b>
40	63,00 <b>2.480</b>	2 5/16" x 16 UN	25,64 <b>1.009</b>	45,90 <b>1.807</b>	7,60 <b>0.300</b>

# Locking 90o Outlet With Cable Clamp & Grommet

Accessory Type 'F'  
 Style: ABBH - \*\* - \*\* - F - F80



How to order:  
**ABBH - \*\* - \*\* - F - F80**  
 Shell size ————  
 Contact arrangement ————

Metric  
 Imperial

Shell Size	B Max	C Max	C1 Max	F Thread Dia. Class 2B	N Max	T Max	T1 Max	S Max	Oa Min Overlap Accessory
10SL	24,00 0.945	30,00 1.181	100,00 3.937	5/8" x 24 UNEF	42,00 1.654	22,00 0.866	22,70 0.894	5,76 0.227	7,00 0.276
14S	25,00 0.984	30,00 1.181	100,00 3.937	3/4" x 20 UNEF	42,00 1.654	25,00 0.984	27,50 1.083	8,10 0.319	7,00 0.276
16S	27,00 1.063	30,00 1.181	100,00 3.937	7/8" x 20 UNEF	45,00 1.772	28,00 1.102	30,00 1.181	11,30 0.444	7,00 0.276
16	27,00 1.063	30,00 1.181	100,00 3.937	7/8" x 20 UNEF	45,00 1.772	28,00 1.102	30,00 1.181	11,30 0.444	7,00 0.276
18	30,10 1.224	35,00 1.378	100,00 3.937	1" x 20 UNEF	53,00 2.087	31,00 1.220	33,00 1.299	14,45 0.569	7,00 0.276
20	33,00 1.299	35,00 1.378	100,00 3.937	1 1/8" x 18 UNEF	53,00 2.087	35,00 1.378	37,50 1.476	16,00 0.632	7,00 0.276
22	33,10 1.303	35,00 1.378	100,00 3.937	1 1/4" x 18 UNEF	53,00 2.087	38,00 1.496	37,50 1.476	16,00 0.632	7,00 0.276
24	37,90 1.492	40,00 1.575	100,00 3.937	1 3/8" x 18 UNEF	58,00 2.283	41,00 1.614	43,30 1.705	19,23 0.757	7,00 0.276
28	37,10 1.461	40,00 1.575	100,00 3.937	1 5/8" x 18 UNEF	58,00 2.283	48,00 1.890	43,30 1.705	19,23 0.757	7,00 0.276
32	43,10 1.697	45,00 1.772	110,00 4.331	1 7/8" x 16 UN	66,00 2.598	54,00 2.126	51,70 2.035	23,98 0.944	7,00 0.276
36	45,90 1.807	50,00 1.969	110,00 4.331	2 1/16" x 16 UNS	69,00 2.717	61,00 2.402	58,00 2.283	31,93 1.257	7,00 0.276
40	49,00 1.929	54,60 2.150	100,00 3.937	2 5/16" x 16 UN	85,50 3.366	67,00 2.638	65,00 2.559	35,10 1.382	7,00 0.276

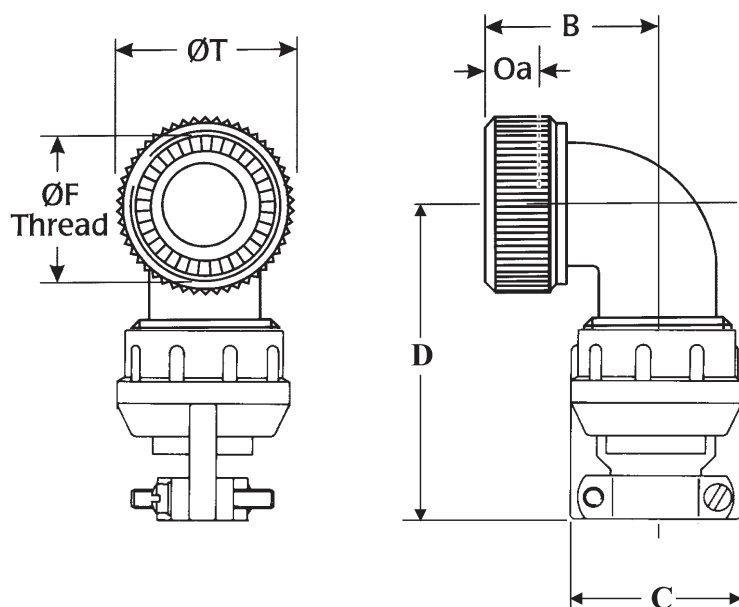


ABCIRH

# Locking 90o Outlet With Cable Clamp & Grommet

Accessory Type 'FC'

Style: ABBH - \*\* - \*\* - FC - F80



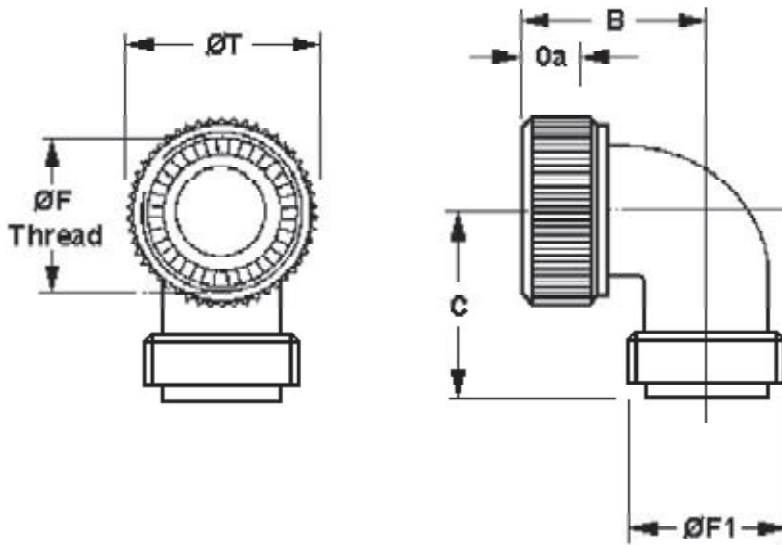
Metric  
Imperial

How to order:  
**ABBH - \*\* - \*\* - FC - F80**  
 Shell size ————  
 Contact arrangement ————

Shell Size	B Max	C Max	D Max	F Thread Dia. Class 2B	T Max	Oa Min Overlap Accessory
10SL	24,00 0.945	23,80 0.937	61,00 2.402	5/8" x 24 UNEF	22,00 0.866	7,00 0.276
14S	25,00 0.984	26,97 1.062	61,00 2.402	3/4" x 20 UNEF	25,00 0.984	7,00 0.276
16S	27,00 1.063	30,18 1.188	61,00 2.402	7/8" x 20 UNEF	28,00 1.102	7,00 0.276
16	27,00 1.063	30,18 1.188	61,00 2.402	7/8" x 20 UNEF	28,00 1.102	7,00 0.276
18	30,10 1.224	33,32 1.312	68,00 2.677	1" x 20 UNEF	31,00 1.220	7,00 0.276
20	33,00 1.299	39,67 1.562	68,00 2.677	1 1/8" x 18 UNEF	35,00 1.378	7,00 0.276
22	33,10 1.303	39,67 1.562	68,00 2.677	1 1/4" x 18 UNEF	38,00 1.496	7,00 0.276
24	37,90 1.492	44,45 1.750	76,00 2.992	1 3/8" x 18 UNEF	41,00 1.614	7,00 0.276
28	37,10 1.461	44,45 1.750	76,00 2.992	1 5/8" x 18 UNEF	48,00 1.890	7,00 0.276
32	43,10 1.697	57,15 2.250	87,00 3.425	1 7/8" x 16 UN	54,00 2.126	7,00 0.276
36	45,90 1.807	60,33 2.375	98,00 3.858	2 1/16" x 16 UNS	61,00 2.402	7,00 0.276
40	49,00 1.929	66,68 2.625	103,00 4.055	2 5/16" x 16 UN	67,00 2.638	7,00 0.276

# Locking 90° Outlet With Grommet

Accessory Type 'FT'  
 Style: ABBH - \*\* - \*\* - FT - F80



How to order:  
**ABBH - \*\* - \*\* - FT - F80**  
 Shell size \_\_\_\_\_  
 Contact arrangement \_\_\_\_\_

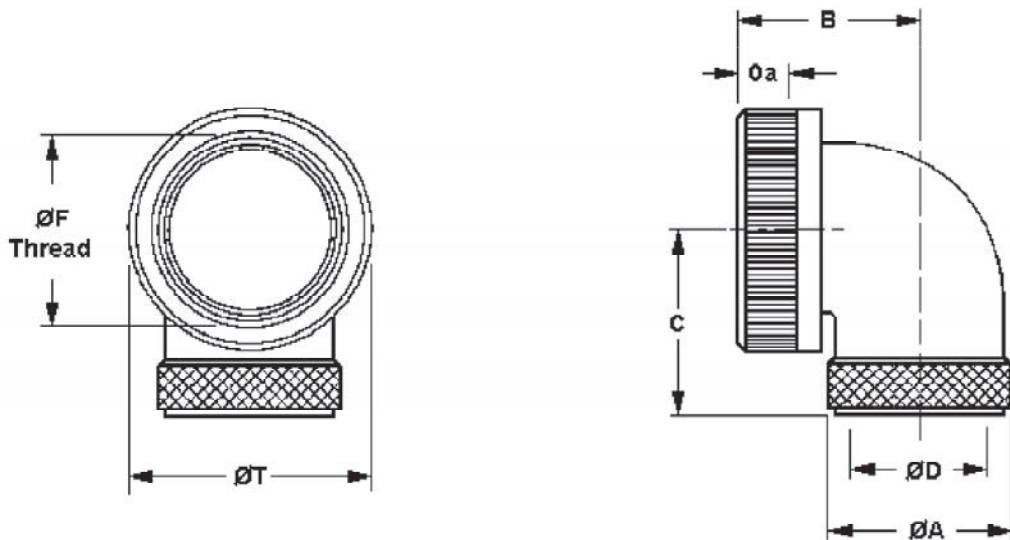
Metric  
 Imperial

Shell Size	B Max	C Max	F Thread Dia. Class 2B	F1 Thread Dia. Class 2A	T Max	Oa Min Overlap Accessory
10SL	24,00 <b>0.945</b>	30,00 <b>1.181</b>	5/8" x 24 UNEF	5/8" x 24 UNEF	22,00 <b>0.866</b>	7,00 <b>0.276</b>
14S	25,00 <b>0.984</b>	30,00 <b>1.181</b>	3/4" x 20 UNEF	3/4" x 20 UNEF	25,00 <b>0.984</b>	7,00 <b>0.276</b>
16S	27,00 <b>1.063</b>	30,00 <b>1.181</b>	7/8" x 20 UNEF	7/8" x 20 UNEF	28,00 <b>1.102</b>	7,00 <b>0.276</b>
16	27,00 <b>1.063</b>	30,00 <b>1.181</b>	7/8" x 20 UNEF	7/8" x 20 UNEF	28,00 <b>1.102</b>	7,00 <b>0.276</b>
18	30,10 1.224	35,00 <b>1.378</b>	1" x 20 UNEF	1" x 20 UNEF	31,00 <b>1.220</b>	7,00 <b>0.276</b>
20	33,00 1.299	35,00 <b>1.378</b>	1 1/8" x 18 UNEF	1 3/16" x 18 UNEF	35,00 <b>1.378</b>	7,00 <b>0.276</b>
22	33,10 1.303	35,00 <b>1.378</b>	1 1/4" x 18 UNEF	1 3/16" x 18 UNEF	38,00 <b>1.496</b>	7,00 <b>0.276</b>
24	37,90 1.492	40,00 <b>1.575</b>	1 3/8" x 18 UNEF	1 7/16" x 18 NEF	41,00 <b>1.614</b>	7,00 <b>0.276</b>
28	37,10 1.461	40,00 <b>1.575</b>	1 5/8" x 18 UNEF	1 7/16" x 18 NEF	48,00 <b>1.890</b>	7,00 <b>0.276</b>
32	43,10 1.697	45,00 <b>1.772</b>	1 7/8" x 16 UN	1 3/4" x 18 UNS	54,00 <b>2.126</b>	7,00 <b>0.276</b>
36	45,90 1.807	50,00 <b>1.969</b>	2 1/16" x 16 UNS	2" x 18 UNS	61,00 <b>2.402</b>	7,00 <b>0.276</b>
40	49,00 1.929	54,60 <b>2.150</b>	2 5/16" x 16 UN	2 1/4" x 16 UN	67,00 <b>2.638</b>	7,00 <b>0.276</b>

ABCIRH

# Locking 90o Outlet RFI Shielded With Grommet

Accessory Type 'FM'  
 Style: ABBH - \*\* - \*\* - FM - F80



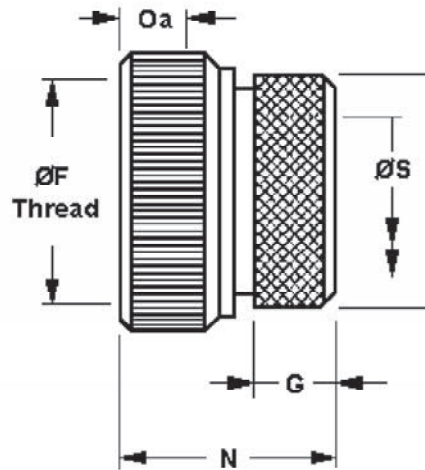
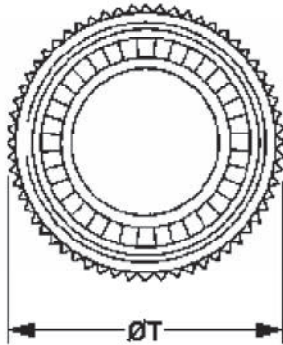
How to order:  
**ABBH - \*\* - \*\* - FM - F80**  
 Shell size \_\_\_\_\_  
 Contact arrangement \_\_\_\_\_

Metric  
 Imperial

Shell Size	A Max	B Max	C Max	D Max	F Thread Dia. Class 2B	T Max	Oa Min Overlap Accessory
10SL	15,90 0.626	24,00 0.945	30,00 1.181	7,77 0.306	5/8" x 24 UNEF	22,00 0.866	7,00 0.276
14S	19,10 0.764	25,00 0.984	30,00 1.181	10,36 0.408	3/4" x 20 UNEF	25,00 0.984	7,00 0.276
16S	22,30 0.878	27,00 1.063	30,00 1.181	13,01 0.512	7/8" x 20 UNEF	28,00 1.102	7,00 0.276
16	22,30 0.878	27,00 1.063	30,00 1.181	13,01 0.512	7/8" x 20 UNEF	28,00 1.102	7,00 0.276
18	25,50 1.004	30,10 1.224	35,00 1.378	15,14 0.596	1" x 20 UNEF	31,00 1.220	7,00 0.276
20	30,20 1.189	33,00 1.299	35,00 1.378	18,10 0.713	1 1/8" x 18 UNEF	35,00 1.378	7,00 0.276
22	30,20 1.189	33,10 1.303	35,00 1.378	21,62 0.851	1 1/4" x 18 UNEF	38,00 1.496	7,00 0.276
24	36,60 1.441	37,90 1.492	40,00 1.575	25,10 0.988	1 3/8" x 18 UNEF	41,00 1.614	7,00 0.276
28	36,60 1.441	37,10 1.461	40,00 1.575	30,38 1.196	1 5/8" x 18 UNEF	48,00 1.890	7,00 0.276
32	44,50 1.752	43,10 1.697	45,00 1.772	36,48 1.436	1 7/8" x 16 UN	54,00 2.126	7,00 0.276
36	50,90 2.004	45,90 1.807	50,00 1.969	40,67 1.601	2 1/16" x 16 UNS	61,00 2.402	7,00 0.276
40	57,20 2.252	49,00 1.929	54,60 2.150	48,50 1.909	2 5/16" x 16 UN	67,00 2.638	7,00 0.276

# Locking Heatshrink Adaptor With Grommet

Accessory Type 'G'  
 Style: ABBH - \*\* - \*\* - HSA - F80



How to order:  
**ABBH - \*\* - \*\* - HSA - F80**

Shell size ————  
 Contact arrangement ————

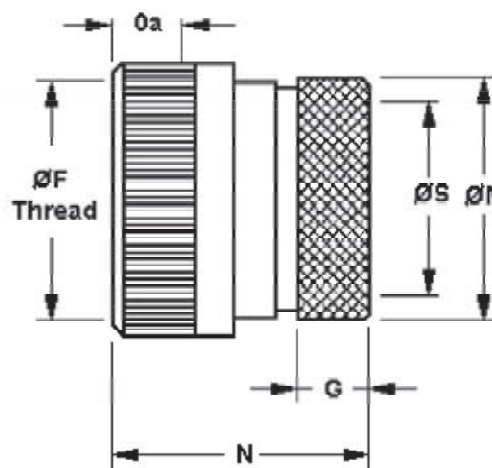
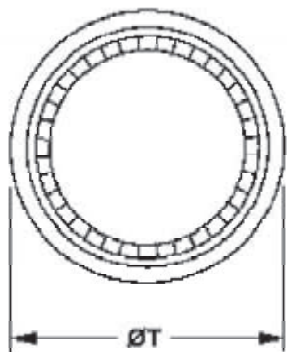
Metric  
 Imperial

Shell Size	F Thread Dia. Class 2B	G Max	M Max	N Max	S Min	T Max	Oa Min Overlap Accessory
10SL	5/8" x 24 UNEF	8,20 <b>0.323</b>	15,70 <b>0.618</b>	28,46 <b>1.120</b>	7,70 <b>0.303</b>	22,00 <b>0.87</b>	7,00 <b>0.276</b>
14S	3/4" x 20 UNEF	8,20 <b>0.323</b>	19,30 <b>0.760</b>	28,46 <b>1.120</b>	10,60 <b>0.417</b>	25,00 <b>0.99</b>	7,00 <b>0.276</b>
16S	7/8" x 20 UNEF	8,20 <b>0.323</b>	24,10 <b>0.949</b>	28,46 <b>1.120</b>	13,50 <b>0.532</b>	28,00 <b>1.11</b>	7,00 <b>0.276</b>
16	7/8" x 20 UNEF	8,00 <b>0.315</b>	24,10 <b>0.949</b>	32,26 <b>1.270</b>	13,50 <b>0.532</b>	28,00 <b>1.11</b>	7,00 <b>0.276</b>
18	1" x 20 UNEF	8,00 <b>0.315</b>	24,10 <b>0.949</b>	32,26 <b>1.270</b>	14,60 <b>0.575</b>	31,00 <b>1.22</b>	7,00 <b>0.276</b>
20	1 1/8" x 18 UNEF	9,20 <b>0.362</b>	29,80 <b>1.173</b>	35,80 <b>1.409</b>	18,70 <b>0.736</b>	35,00 <b>1.38</b>	7,00 <b>0.276</b>
22	1 1/4" x 18 UNEF	9,20 <b>0.362</b>	29,80 <b>1.173</b>	35,80 <b>1.409</b>	20,80 <b>0.819</b>	38,00 <b>1.50</b>	7,00 <b>0.276</b>
24	1 3/8" x 18 UNEF	9,20 <b>0.362</b>	38,00 <b>1.496</b>	35,80 <b>1.409</b>	24,60 <b>0.969</b>	41,00 <b>1.62</b>	7,00 <b>0.276</b>
28	1 5/8" x 18 UNEF	9,20 <b>0.362</b>	38,00 <b>1.496</b>	35,76 <b>1.408</b>	27,00 <b>1.063</b>	48,00 <b>1.89</b>	7,00 <b>0.276</b>
32	1 7/8" x 16 UN	11,70 <b>0.461</b>	48,00 <b>1.890</b>	38,26 <b>1.506</b>	33,30 <b>1.311</b>	54,00 <b>2.13</b>	7,00 <b>0.276</b>
36	2 1/16" x 16 UNS	11,70 <b>0.461</b>	48,00 <b>1.890</b>	39,26 <b>1.546</b>	38,50 <b>1.516</b>	61,00 <b>2.40</b>	7,00 <b>0.276</b>
40	2 5/16" x 16 UN	12,10 <b>0.476</b>	57,95 <b>2.281</b>	38,30 <b>1.508</b>	48,10 <b>1.894</b>	67,00 <b>2.638</b>	7,00 <b>0.276</b>

ABCIRH

# Locking RFI Shielded Adaptor With Grommet

Accessory Type 'GM'  
 Style: ABBH - \*\* - \*\* - LHSA - F80



How to order:  
**ABBH - \*\* - \*\* - LHSA - F80**  
 Shell size ————  
 Contact arrangement ————

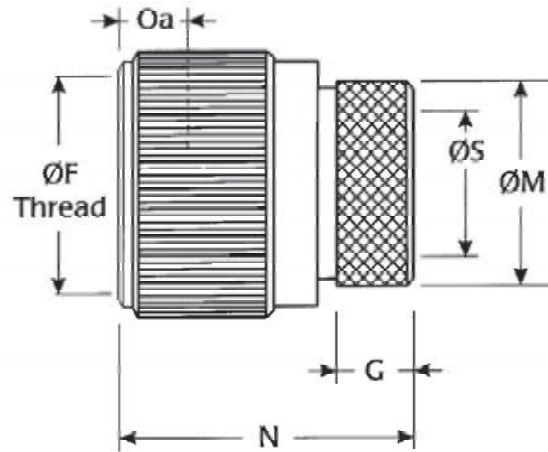
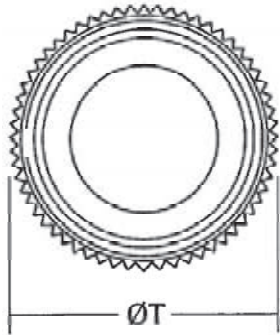
Metric  
 Imperial

Shell Size	F Thread Dia. Class 2B	G Max	M Max	N Max	S Min	T Max	Oa Min Overlap Accessory
10SL	5/8" x 24 UNEF	12,40 <b>0.488</b>	15,70 <b>0.618</b>	32,26 <b>1.270</b>	8,60 <b>0.339</b>	22,00 <b>0.87</b>	7,00 <b>0.276</b>
14S	3/4" x 20 UNEF	12,40 <b>0.488</b>	19,30 <b>0.760</b>	32,26 <b>1.270</b>	11,10 <b>0.437</b>	25,00 <b>0.984</b>	7,00 <b>0.276</b>
16S	7/8" x 20 UNEF	12,40 <b>0.488</b>	24,10 <b>0.949</b>	32,26 <b>1.270</b>	14,30 <b>0.563</b>	28,00 <b>1.102</b>	7,00 <b>0.276</b>
16	7/8" x 20 UNEF	12,40 <b>0.488</b>	24,10 <b>0.949</b>	36,06 <b>1.420</b>	14,30 <b>0.563</b>	28,00 <b>1.102</b>	7,00 <b>0.276</b>
18	1" x 20 UNEF	12,40 <b>0.488</b>	24,10 <b>0.949</b>	36,06 <b>1.420</b>	16,70 <b>0.657</b>	31,00 <b>1.22</b>	7,00 <b>0.276</b>
20	1 1/8" x 18 UNEF	12,40 <b>0.488</b>	29,80 <b>1.173</b>	38,60 <b>1.520</b>	19,80 <b>0.780</b>	35,00 <b>1.38</b>	7,00 <b>0.276</b>
22	1 1/4" x 18 UNEF	12,40 <b>0.488</b>	29,80 <b>1.173</b>	38,60 <b>1.520</b>	21,34 <b>0.840</b>	38,00 <b>1.50</b>	7,00 <b>0.276</b>
24	1 3/8" x 18 UNEF	12,40 <b>0.488</b>	38,00 <b>1.496</b>	38,60 <b>1.520</b>	25,40 <b>1.000</b>	41,00 <b>1.62</b>	7,00 <b>0.276</b>
28	1 5/8" x 18 UNEF	12,40 <b>0.488</b>	38,00 <b>1.496</b>	38,56 <b>1.518</b>	30,13 <b>1.186</b>	48,00 <b>1.89</b>	7,00 <b>0.276</b>
32	1 7/8" x 16 UN	12,10 <b>0.476</b>	48,00 <b>1.890</b>	38,26 <b>1.506</b>	36,73 <b>1.446</b>	54,00 <b>2.13</b>	7,00 <b>0.276</b>
36	2 1/16" x 16 UNS	12,10 <b>0.476</b>	48,00 <b>1.890</b>	39,26 <b>1.546</b>	41,00 <b>1.614</b>	61,00 <b>2.40</b>	7,00 <b>0.276</b>
40	2 5/16" x 16 UN	12,10 <b>0.476</b>	57,95 <b>2.281</b>	38,30 <b>1.508</b>	48,10 <b>1.894</b>	67,00 <b>2.638</b>	7,00 <b>0.276</b>

# Non-Locking Heatshrink Adaptor, Grommet & Follower

Accessory Type 'GS'

Style: ABBH - \*\* - \*\* - HSAS - F80



How to order:  
**ABBH - \*\* - \*\* - HSAS - F80**

Shell size ————

Contact arrangement ————

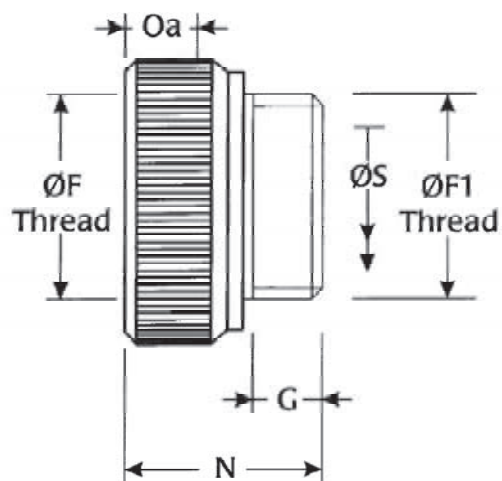
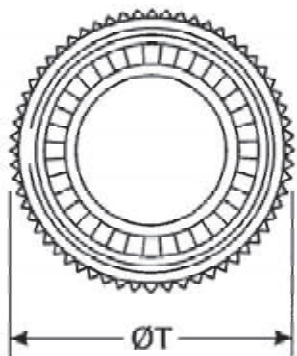
Metric  
**Imperial**

Shell Size	F Thread Dia. Class 2B	M Max	G Max	N Max	S Min	T Max	Oa Min Overlap Accessory
*10SL	-	-	-	-	-	-	-
*14S	-	-	-	-	-	-	-
*16S	-	-	-	-	-	-	-
*16	-	-	-	-	-	-	-
18	1" x 20 UNEF	24,10 <b>0.949</b>	11,90 <b>0.469</b>	45,30 <b>1.783</b>	14,70 <b>0.579</b>	28,60 <b>1.126</b>	7,34 <b>0.289</b>
20	1 1/8" x 18 UNEF	29,80 <b>1.173</b>	11,90 <b>0.469</b>	51,10 <b>2.012</b>	18,70 <b>0.736</b>	31,85 <b>1.254</b>	7,34 <b>0.289</b>
22	1 1/4" x 18 UNEF	29,80 <b>1.173</b>	11,90 <b>0.469</b>	51,10 <b>2.012</b>	20,90 <b>0.823</b>	35,03 <b>1.379</b>	7,14 <b>0.281</b>
24	1 3/8" x 18 UNEF	38,00 <b>1.496</b>	11,90 <b>0.469</b>	51,10 <b>2.012</b>	24,70 <b>0.972</b>	39,10 <b>1.539</b>	7,14 <b>0.281</b>
28	1 5/8" x 18 UNEF	38,00 <b>1.496</b>	11,90 <b>0.469</b>	51,10 <b>2.012</b>	27,10 <b>1.067</b>	45,60 <b>1.795</b>	6,34 <b>0.250</b>
32	1 7/8" x 16 UN	48,00 <b>1.890</b>	11,90 <b>0.469</b>	51,10 <b>2.012</b>	33,40 <b>1.315</b>	50,80 <b>2.000</b>	7,40 <b>0.291</b>
36	2 1/16" x 16 UNS	48,00 <b>1.890</b>	11,90 <b>0.469</b>	51,10 <b>2.012</b>	38,60 <b>1.520</b>	57,45 <b>2.262</b>	7,40 <b>0.291</b>
40	2 5/16" x 16 UN	57,95 <b>2.281</b>	11,90 <b>0.469</b>	51,10 <b>2.012</b>	48,10 <b>1.894</b>	63,10 <b>2.484</b>	7,40 <b>0.291</b>

ABCIRH

# Locking Armoured Conduit Adaptor With Grommet

Accessory Type 'H'  
 Style: ABBH - \*\* - \*\* - ACA - F80



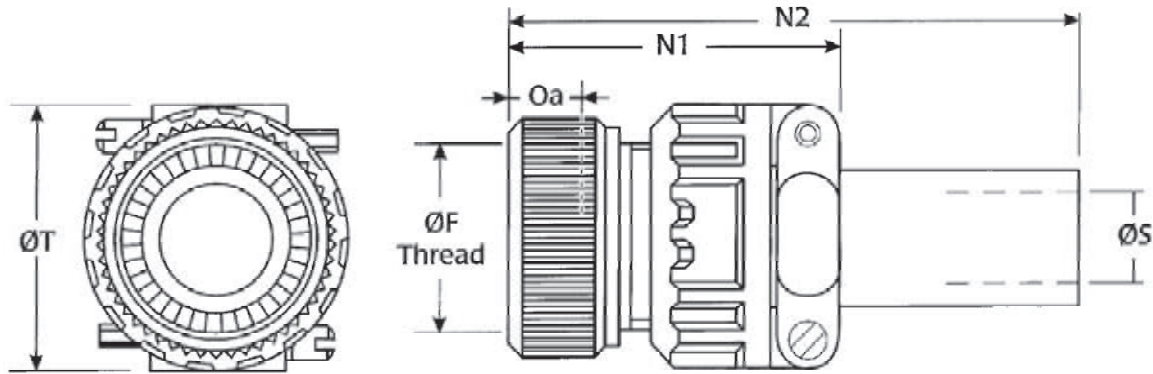
How to order:  
**ABBH - \*\* - \*\* - ACA - F80**  
 Shell size ————  
 Contact arrangement ————

Metric  
 Imperial

Shell Size	F Thread Dia. Class 2B	F1 Thread Dia. Class 2A	G Max	N Max	S Min	T Max	Oa Min Overlap Accessory
10SL	5/8" x 24 UNEF	5/8" x 24 UNEF	9,50 <b>0.374</b>	27,90 <b>1.098</b>	8,20 <b>0.323</b>	22,00 <b>0.87</b>	7,00 <b>0.276</b>
14S	3/4" x 20 UNEF	3/4" x 20 UNEF	9,50 <b>0.374</b>	27,90 <b>1.098</b>	11,10 <b>0.437</b>	25,00 <b>0.99</b>	7,00 <b>0.276</b>
16S	7/8" x 20 UNEF	7/8" x 20 UNEF	9,50 <b>0.374</b>	27,90 <b>1.098</b>	14,30 <b>0.563</b>	28,00 <b>1.11</b>	7,00 <b>0.276</b>
16	7/8" x 20 UNEF	7/8" x 20 UNEF	9,50 <b>0.374</b>	27,90 <b>1.098</b>	14,30 <b>0.563</b>	28,00 <b>1.11</b>	7,00 <b>0.276</b>
18	1" x 20 UNEF	1" x 20 UNEF	9,50 <b>0.374</b>	29,90 <b>1.177</b>	16,70 <b>0.657</b>	31,00 <b>1.22</b>	7,00 <b>0.276</b>
20	1 1/8" x 18 UNEF	1 3/16" x 18 NEF	9,50 <b>0.374</b>	29,90 <b>1.177</b>	19,80 <b>0.780</b>	35,00 <b>1.38</b>	7,00 <b>0.276</b>
22	1 1/4" x 18 UNEF	13/16" x 18 NEF	9,50 <b>0.374</b>	29,90 <b>1.177</b>	19,80 <b>0.780</b>	38,00 <b>1.50</b>	7,00 <b>0.276</b>
24	1 3/8" x 18 UNEF	1 7/16" x 18 NEF	9,50 <b>0.374</b>	29,90 <b>1.177</b>	25,40 <b>1.000</b>	41,00 <b>1.62</b>	7,00 <b>0.276</b>
28	1 5/8" x 18 UNEF	1 7/16" x 18 NEF	9,50 <b>0.374</b>	30,00 <b>1.181</b>	27,00 <b>1.063</b>	48,00 <b>1.89</b>	7,00 <b>0.276</b>
32	1 7/8" x 16 UN	1 3/4" x 18 NS	11,00 <b>0.433</b>	28,90 <b>1.138</b>	32,50 <b>1.280</b>	54,00 <b>2.13</b>	7,00 <b>0.276</b>
36	2 1/16" x 16 UNS	2" x 18 NS	11,80 <b>0.464</b>	28,90 <b>1.138</b>	35,70 <b>1.406</b>	61,00 <b>2.40</b>	7,00 <b>0.276</b>
40	2 5/16" x 16 UN	2 1/4" x 16 UN	11,80 <b>0.464</b>	28,90 <b>1.138</b>	45,00 <b>1.772</b>	67,00 <b>2.638</b>	7,00 <b>0.276</b>

# Locking Cable Clamp With Grommet

Accessory Type 'HC'  
 Style: ABBH - \*\* - \*\* - HC - F80



**Note.**  
 Clamp & bush are available separately. See pages 83 & 85 respectively.

How to order:  
**ABBH - \*\* - \*\* - HC - F80**

Shell size \_\_\_\_\_

Contact arrangement \_\_\_\_\_

Metric  
**Imperial**

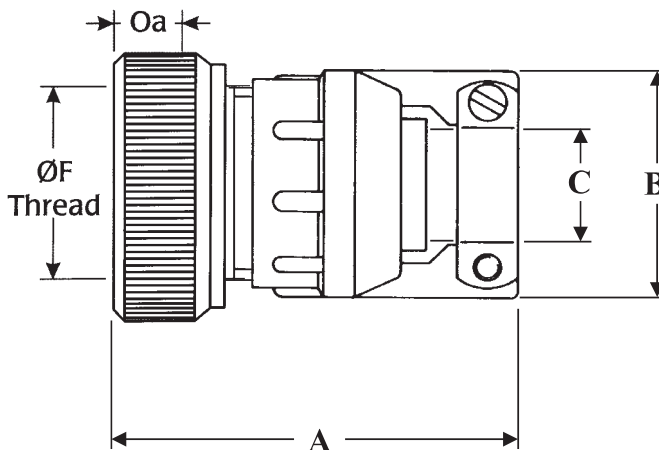
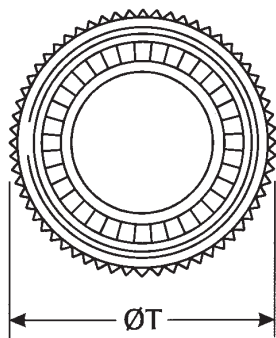
Shell Size	F Thread Dia. Class 2B	N1 Max	N2 Max	S	T Max	Oa Min Overlap Accessory
10SL	5/8" x 24 UNEF	40,10 <b>1.58</b>	100,10 <b>3.94</b>	5.59 <b>0.220</b>	22,70 <b>0.90</b>	7,00 <b>0.276</b>
14S	3/4" x 20 UNEF	41,70 <b>1.65</b>	96,70 <b>3.81</b>	7.92 <b>0.312</b>	27,50 <b>1.09</b>	7,00 <b>0.276</b>
16S	7/8" x 20 UNEF	43,50 <b>1.72</b>	98,50 <b>3.88</b>	11.10 <b>0.437</b>	30,00 <b>1.19</b>	7,00 <b>0.276</b>
16	7/8" x 20 UNEF	43,50 <b>1.72</b>	93,50 <b>3.68</b>	11.10 <b>0.437</b>	30,00 <b>1.19</b>	7,00 <b>0.276</b>
18	1" x 20 UNEF	50,00 <b>1.97</b>	95,00 <b>3.74</b>	14.27 <b>0.562</b>	33,00 <b>1.30</b>	7,00 <b>0.276</b>
20	1 1/8" x 18 UNEF	45,50 <b>1.80</b>	90,50 <b>3.57</b>	15.88 <b>0.625</b>	37,50 <b>1.48</b>	7,00 <b>0.276</b>
22	1 1/4" x 18 UNEF	45,50 <b>1.80</b>	90,50 <b>3.57</b>	15.88 <b>0.625</b>	37,50 <b>1.48</b>	7,00 <b>0.276</b>
24	1 3/8" x 18 UNEF	47,50 <b>1.87</b>	77,50 <b>3.05</b>	19.05 <b>0.750</b>	43,30 <b>1.71</b>	7,00 <b>0.276</b>
28	1 5/8" x 18 UNEF	47,60 <b>1.88</b>	77,60 <b>3.06</b>	19.05 <b>0.750</b>	43,30 <b>1.71</b>	7,00 <b>0.276</b>
32	1 7/8" x 16 UN	46,50 <b>1.83</b>	76,50 <b>3.02</b>	23.80 <b>0.937</b>	51,70 <b>2.04</b>	7,00 <b>0.276</b>
36	2 1/16" x 16 UNS	46,40 <b>1.826</b>	76,40 <b>3.01</b>	31.75 <b>1.250</b>	58,00 <b>2.29</b>	7,00 <b>0.276</b>
40	2 5/16" x 16 UN	59,80 <b>2.35</b>	73,80 <b>2.90</b>	34.92 <b>1.375</b>	65,00 <b>2.56</b>	7,00 <b>0.276</b>



ABCIRH

# Locking Sealed Cable Clamp With Grommet

Accessory Type 'HD'  
 Style: ABBH - \*\* - \*\* - HD - F80



How to order:

**ABBH - \*\* - \*\* - HD - F80**

Shell size ————

Contact arrangement ————

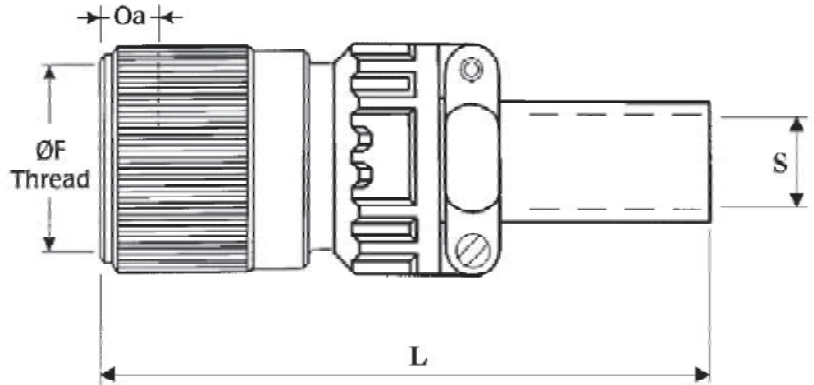
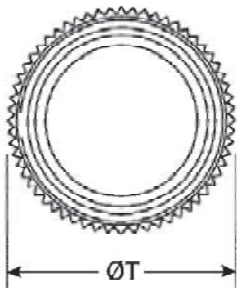
Metric  
**Imperial**

Shell Size	A Max	B	C		F Thread Dia. Class 2B	T Max	Oa Min Overlap Accessory
			Max	Min			
10SL	58,87 <b>2.318</b>	23,80 <b>0.937</b>	7,93 <b>0.312</b>	2,38 <b>0.094</b>	5/8" x 24 UNEF	22,00 <b>0.866</b>	7,00 <b>0.276</b>
14S	58,87 <b>2.318</b>	26,97 <b>1.062</b>	11,12 <b>0.438</b>	6,35 <b>0.250</b>	3/4" x 20 UNEF	25,00 <b>0.984</b>	7,00 <b>0.276</b>
16S	58,87 <b>2.318</b>	30,18 <b>1.188</b>	13,48 <b>0.531</b>	7,92 <b>0.312</b>	7/8" x 20 UNEF	28,00 <b>0.984</b>	7,00 <b>0.276</b>
16	58,87 <b>2.318</b>	30,18 <b>1.188</b>	13,48 <b>0.531</b>	7,92 <b>0.312</b>	7/8" x 20 UNEF	28,00 <b>0.984</b>	7,00 <b>0.276</b>
18	62,44 <b>2.458</b>	33,32 <b>1.312</b>	15,87 <b>0.625</b>	9,53 <b>0.375</b>	1" x 20 UNEF	31,00 <b>1.220</b>	7,00 <b>0.276</b>
20	62,44 <b>2.458</b>	39,21 <b>1.562</b>	19,00 <b>0.748</b>	12,70 <b>0.500</b>	1 1/8" x 18 UNEF	35,00 <b>1.378</b>	7,00 <b>0.276</b>
22	62,44 <b>2.458</b>	39,21 <b>1.562</b>	19,00 <b>0.748</b>	12,70 <b>0.500</b>	1 1/4" x 18 UNEF	38,00 <b>1.496</b>	7,00 <b>0.276</b>
24	65,61 <b>2.583</b>	44,45 <b>1.750</b>	23,80 <b>0.937</b>	15,09 <b>0.594</b>	1 3/8" x 18 UNEF	41,00 <b>1.614</b>	7,00 <b>0.276</b>
28	65,71 <b>2.587</b>	44,45 <b>1.750</b>	23,80 <b>0.937</b>	15,09 <b>0.594</b>	1 5/8" x 18 UNEF	48,00 <b>1.890</b>	7,00 <b>0.276</b>
32	70,96 <b>2.794</b>	57,15 <b>2.250</b>	31,75 <b>1.250</b>	23,83 <b>0.938</b>	1 7/8" x 16 UN	54,00 <b>2.126</b>	7,00 <b>0.276</b>
36	77,31 <b>3.044</b>	60,33 <b>2.375</b>	35,00 <b>1.378</b>	24,61 <b>0.969</b>	2 1/16" x 16 UNS	61,00 <b>2.402</b>	7,00 <b>0.276</b>
40	77,31 <b>3.044</b>	66,68 <b>2.625</b>	41,25 <b>1.624</b>	30,18 <b>1.188</b>	2 5/16" x 16 UN	67,00 <b>2.638</b>	7,00 <b>0.276</b>

# Non-Locking Cable Clamp With Grommet & Follower

Accessory Type 'JE'

Style: ABBH - \*\* - \*\* - JE - F80



How to order:  
**ABBH - \*\* - \*\* - JE - F80**  
 Shell size \_\_\_\_\_  
 Contact arrangement \_\_\_\_\_

Metric  
**Imperial**

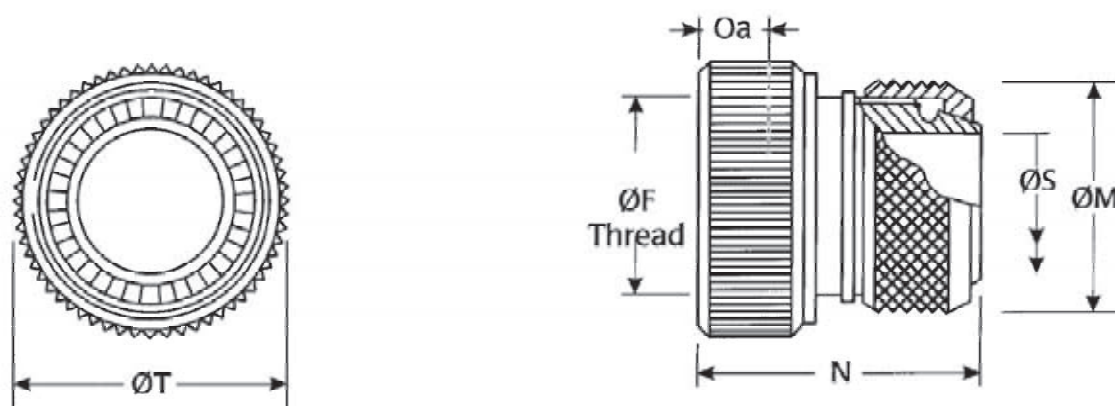
Shell Size	F Thread dia. Class 2B	L Max	S	T Max	Oa Min Overlap Accessory
10SL	5/8" x 24 UNEF	99,13 <b>3.903</b>	5.59 <b>0.220</b>	19,10 <b>0.752</b>	7,00 <b>0.276</b>
14S	3/4" x 20 UNEF	95,96 <b>3.778</b>	7.92 <b>0.312</b>	22,10 <b>0.870</b>	7,00 <b>0.276</b>
16S	7/8" x 20 UNEF	92,78 <b>6.653</b>	11.10 <b>0.437</b>	25,50 <b>1.004</b>	7,00 <b>0.276</b>
16	7/8" x 20 UNEF	94,28 <b>3.712</b>	11.10 <b>0.437</b>	25,50 <b>1.004</b>	7,00 <b>0.276</b>
18	1" x 20 UNEF	97,51 <b>3.839</b>	14.27 <b>0.562</b>	28,60 <b>1.126</b>	7,34 <b>0.289</b>
20	1 1/8" x 18 UNEF	94,33 <b>3.714</b>	15.88 <b>0.625</b>	31,85 <b>1.254</b>	7,34 <b>0.289</b>
22	1 1/4" x 18 UNEF	94,33 <b>3.714</b>	15.88 <b>0.625</b>	35,03 <b>1.379</b>	7,34 <b>0.289</b>
24	1 3/8" x 18 UNEF	94,01 <b>3.701</b>	19.05 <b>0.750</b>	39,10 <b>1.539</b>	7,14 <b>0.281</b>
28	1 5/8" x 18 UNEF	94,01 <b>3.701</b>	19.05 <b>0.750</b>	45,60 <b>1.795</b>	6,34 <b>0.250</b>
32	1 7/8" x 16 UN	90,83 <b>3.576</b>	23.80 <b>0.937</b>	50,80 <b>2.000</b>	7,40 <b>0.291</b>
36	2 1/16" x 16 UNS	87,67 <b>3.452</b>	31.75 <b>1.250</b>	57,45 <b>2.262</b>	7,40 <b>0.291</b>
40	2 5/16" x 16 UN	84,43 <b>3.324</b>	34.92 <b>1.375</b>	63,10 <b>2.484</b>	6,34 <b>0.250</b>

ABCIRH

# Locking Screened Cable Clamp With Grommet

Accessory Type 'M'

Style: ABBH - \*\* - \*\* - SCA - F80



How to order:

**ABBH - \*\* - \*\* - SCA - F80**

Shell size

Contact arrangement

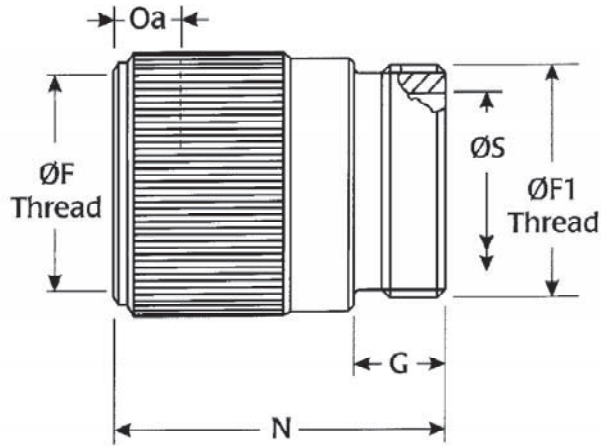
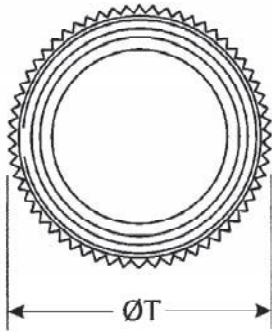
Metric

Imperial

Shell Size	F Thread Dia. Class 2B	M Max	N Max	S Min	T Max	Oa Min Overlap Accessory
10SL	5/8" x 24 UNEF	19,00 <b>0.748</b>	31,30 <b>0.812</b>	8,60 <b>0.339</b>	22,00 <b>0.87</b>	7,00 <b>0.276</b>
14S	3/4" x 20 UNEF	22,50 <b>0.886</b>	33,90 <b>1.335</b>	10,60 <b>0.417</b>	25,00 <b>0.99</b>	7,00 <b>0.276</b>
16S	7/8" x 20 UNEF	25,50 <b>1.004</b>	33,90 <b>1.335</b>	13,50 <b>0.532</b>	28,00 <b>1.11</b>	7,00 <b>0.276</b>
16	7/8" x 20 UNEF	25,50 <b>1.004</b>	33,90 <b>1.335</b>	13,50 <b>0.532</b>	28,00 <b>1.11</b>	7,00 <b>0.276</b>
18	1" x 20 UNEF	25,50 <b>1.004</b>	36,90 <b>1.453</b>	14,60 <b>0.575</b>	31,00 <b>1.22</b>	7,00 <b>0.276</b>
20	1 1/8" x 18 UNEF	32,50 <b>1.280</b>	36,90 <b>1.453</b>	18,50 <b>0.728</b>	35,00 <b>1.38</b>	7,00 <b>0.276</b>
22	1 1/4" x 18 UNEF	34,50 <b>1.358</b>	36,90 <b>1.453</b>	20,80 <b>0.819</b>	38,00 <b>1.50</b>	7,00 <b>0.276</b>
24	1 3/8" x 18 UNEF	38,50 <b>1.516</b>	36,90 <b>1.453</b>	24,60 <b>0.969</b>	41,00 <b>1.62</b>	7,00 <b>0.276</b>
28	1 5/8" x 18 UNEF	41,50 <b>1.634</b>	35,90 <b>1.413</b>	27,00 <b>1.063</b>	48,00 <b>1.89</b>	7,00 <b>0.276</b>
32	1 7/8" x 16 UN	48,50 <b>1.910</b>	35,90 <b>1.413</b>	33,30 <b>1.311</b>	54,00 <b>2.13</b>	7,00 <b>0.276</b>
36	2 1/16" x 16 UNS	55,50 <b>2.185</b>	35,90 <b>1.413</b>	38,50 <b>1.516</b>	61,00 <b>2.40</b>	7,00 <b>0.276</b>
40	2 5/16" x 16 UN	62,50 <b>2.461</b>	35,90 <b>1.413</b>	45,00 <b>1.772</b>	67,00 <b>2.638</b>	7,00 <b>0.276</b>

# Non-Locking Conduit Adaptor, Grommet & Follower

Accessory Type 'R'  
 Style: ABBH - \*\* - \*\* - CCA - F80



How to order:  
**ABBH - \*\* - \*\* - CCA - F80**

Shell size ————  
 Contact arrangement ————

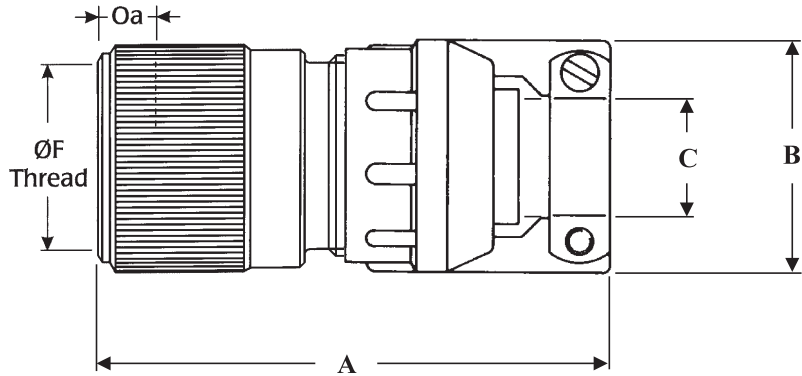
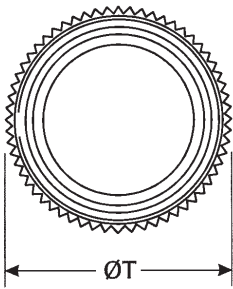
Metric  
**Imperial**

Shell Size	F Thread Dia. Class 2B	F1 Thread Dia. Class 2A	G Max	N Max	S Min	T Max	Oa Min Overlap Accessory
10SL	5/8" x 24 UNEF	5/8" x 24 UNEF	10,10 <b>0.398</b>	29,10 <b>1.146</b>	8,80 <b>0.346</b>	19,10 <b>0.752</b>	7,00 <b>0.276</b>
14S	3/4" x 20 UNEF	3/4" x 20 UNEF	10,10 <b>0.398</b>	29,10 <b>1.146</b>	11,30 <b>0.445</b>	22,10 <b>0.870</b>	7,00 <b>0.276</b>
16S	7/8" x 20 UNEF	7/8" x 20 UNEF	10,10 <b>0.398</b>	29,10 <b>1.146</b>	18,54 <b>0.730</b>	25,50 <b>1.004</b>	7,00 <b>0.276</b>
16	7/8" x 20 UNEF	7/8" x 20 UNEF	10,10 <b>0.398</b>	30,60 <b>1.205</b>	18,54 <b>0.730</b>	25,50 <b>1.004</b>	7,00 <b>0.276</b>
18	1" x 20 UNEF	1" x 20 UNEF	10,10 <b>0.398</b>	37,00 <b>1.457</b>	16,70 <b>0.657</b>	28,60 <b>1.126</b>	7,34 <b>0.289</b>
20	1 1/8" x 18 UNEF	1 3/16" x 18 UNEF	10,10 <b>0.398</b>	37,00 <b>1.457</b>	19,80 <b>0.780</b>	31,85 <b>1.254</b>	7,34 <b>0.289</b>
22	1 1/4" x 18 UNEF	1 3/16" x 18 UNEF	10,10 <b>0.398</b>	37,00 <b>1.457</b>	19,80 <b>0.780</b>	35,03 <b>1.379</b>	7,34 <b>0.289</b>
24	1 3/8" x 18 UNEF	1 7/16" x 18 UNEF	11,10 <b>0.437</b>	39,85 <b>1.569</b>	25,40 <b>1.000</b>	39,10 <b>1.539</b>	7,14 <b>0.281</b>
28	1 5/8" x 18 UNEF	1 7/16" x 18 UNEF	11,10 <b>0.437</b>	39,85 <b>1.569</b>	30,13 <b>1.186</b>	45,60 <b>1.795</b>	6,34 <b>0.250</b>
32	1 7/8" x 16 UN	1 3/4" x 18 UNS	11,10 <b>0.437</b>	39,85 <b>1.569</b>	32,50 <b>1.280</b>	50,80 <b>2.000</b>	7,40 <b>0.291</b>
36	2 1/16" x 16 UNS	2" x 18 UNS	11,10 <b>0.437</b>	39,85 <b>1.569</b>	35,70 <b>1.406</b>	57,45 <b>2.262</b>	7,40 <b>0.291</b>
40	2 5/16" x 16 UN	2 1/4" x 16 UN	11,10 <b>0.437</b>	39,85 <b>1.569</b>	45,00 <b>1.772</b>	63,10 <b>2.484</b>	6,34 <b>0.250</b>

ABCIRH

# Non-Locking Sealed Cable Clamp, Grommet & Follower

Accessory Type 'RC'  
 Style: ABBH - \*\* - \*\* - RC - F80



How to order:  
**ABBH - \*\* - \*\* - RC - F80**  
 Shell size \_\_\_\_\_  
 Contact arrangement \_\_\_\_\_

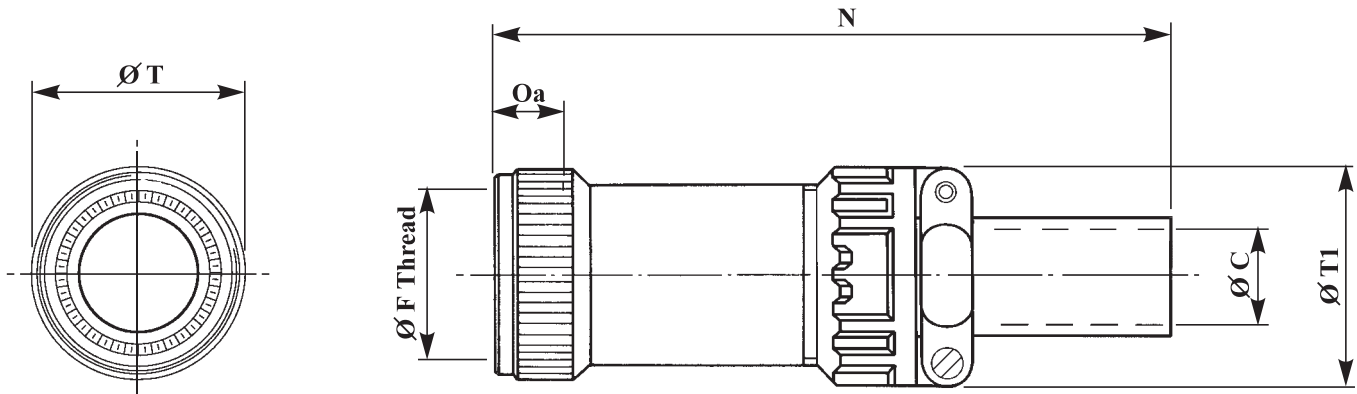
Metric  
 Imperial

Shell Size	A Max	B	C		F Thread Dia. Class 2B	T Max	Oa Min Overlap Accessory
			Max	Min			
10SL	59,10 2.327	23,80 0.937	7,93 0.312	2,38 0.094	5/8 " x 24 UNEF	19,10 0.752	7,00 0.276
14S	59,10 2.327	26,97 1.062	11,12 0.438	6,35 0.250	3/4 " x 20 UNEF	22,10 0.870	7,00 0.276
16S	59,10 2.327	30,18 1.188	13,48 0.531	7,92 0.312	7/8 " x 20 UNEF	25,50 1.004	7,00 0.276
16	60,60 2.386	30,18 1.188	13,48 0.531	7,92 0.312	7/8 " x 20 UNEF	25,50 1.004	7,00 0.276
18	70,00 2.756	33,32 1.312	15,87 0.625	9,53 0.375	1" x 20 UNEF	28,60 1.126	7,34 0.289
20	70,00 2.756	39,21 1.562	19,00 0.748	12,70 0.500	1 1/8" x 18 UNEF	31,85 1.254	7,34 0.289
22	70,00 2.756	39,21 1.562	19,00 0.748	12,70 0.500	1 1/4" x 18 UNEF	35,03 1.379	7,34 0.289
24	75,85 2.986	44,45 1.750	23,80 0.937	15,09 0.594	1 3/8" x 18 UNEF	39,10 1.539	7,14 0.281
28	75,85 2.986	44,45 1.750	23,80 0.937	15,09 0.594	1 5/8" x 18 UNEF	45,60 1.795	6,34 0.250
32	81,85 3.222	57,15 2.250	31,75 1.250	23,83 0.938	1 7/8" x 16 UN	50,80 2.000	7,40 0.291
36	88,85 3.498	60,33 2.375	35,00 1.378	24,61 0.969	2 1/16" x 16 UNS	57,45 2.262	7,40 0.291
40	88,85 3.498	66,68 2.625	41,25 1.624	30,18 1.188	2 5/16" x 16 UN	63,10 2.484	6,34 0.250

# Long Backshell, Grommet, Cable Clamp & Bushing

Accessory Type 'XLA'

Style: ABBH - \*\* - \*\* - XLA - F80



How to order:

**ABBH - \*\* - \*\* - XLA - F80**

Shell size \_\_\_\_\_

Contact arrangement \_\_\_\_\_

Metric

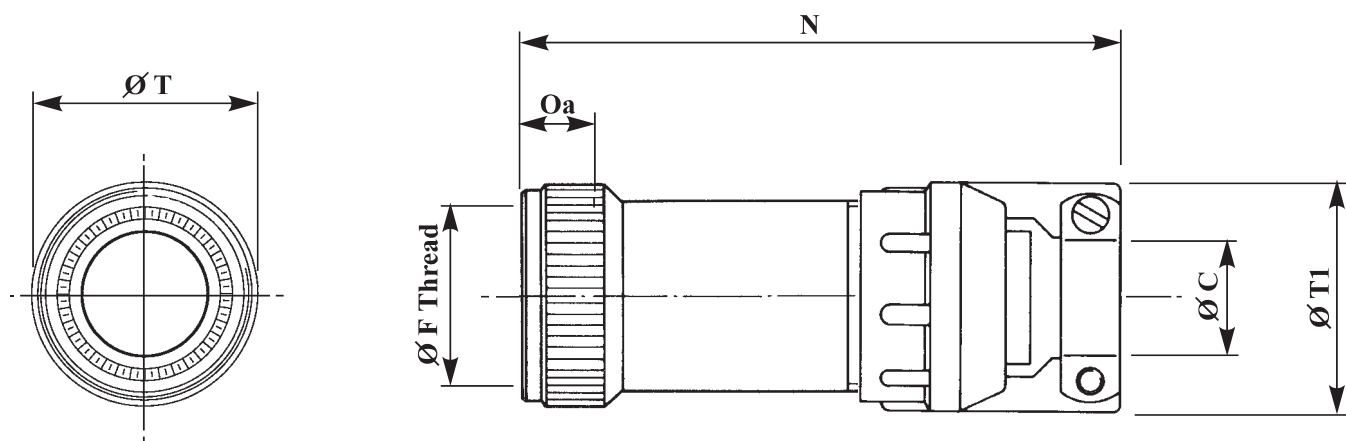
Imperial

Shell Size	C	F Thread Dia. Class 2B	N	T Max	T1 Max	Oa Min Overlap Accessory
10SL	5,59 <b>0.220</b>	5/8" x 24 UNEF	118,35 <b>4.659</b>	22,00 <b>0.866</b>	22,70 <b>0.894</b>	7,00 <b>0.276</b>
14S	7,92 <b>0.312</b>	3/4" x 20 UNEF	115,18 <b>4.535</b>	25,00 <b>0.984</b>	27,50 <b>1.083</b>	7,00 <b>0.276</b>
16S	11,10 <b>0.437</b>	7/8" x 20 UNEF	112,00 <b>4.409</b>	28,00 <b>1.102</b>	30,00 <b>1.181</b>	7,00 <b>0.276</b>
16	11,10 <b>0.437</b>	7/8" x 20 UNEF	122,30 <b>4.815</b>	28,00 <b>1.102</b>	30,00 <b>1.181</b>	7,00 <b>0.276</b>
18	14,27 <b>0.562</b>	1" x 20 UNEF	119,13 <b>4.690</b>	31,00 <b>1.220</b>	33,00 <b>1.299</b>	7,00 <b>0.276</b>
20	15,88 <b>0.625</b>	1 1/8" x 18 UNEF	115,95 <b>4.565</b>	35,00 <b>1.378</b>	37,50 <b>1.476</b>	7,00 <b>0.276</b>
22	15,88 <b>0.625</b>	1 1/4" x 18 UNEF	115,95 <b>4.565</b>	38,00 <b>1.496</b>	37,50 <b>1.476</b>	7,00 <b>0.276</b>
24	19,05 <b>0.750</b>	1 3/8" x 18 UNEF	112,78 <b>4.440</b>	41,00 <b>1.614</b>	43,30 <b>1.704</b>	7,00 <b>0.276</b>
28	19,05 <b>0.750</b>	1 5/8" x 18 UNEF	119,78 <b>4.716</b>	48,00 <b>1.889</b>	43,30 <b>1.704</b>	7,00 <b>0.276</b>
32	23,80 <b>0.937</b>	1 7/8" x 16 UN	116,60 <b>4.591</b>	54,00 <b>2.126</b>	51,70 <b>2.035</b>	7,00 <b>0.276</b>
36	31,75 <b>1.250</b>	2 1/16" x 16 UNS	113,43 <b>4.466</b>	61,00 <b>2.402</b>	58,00 <b>2.283</b>	7,00 <b>0.276</b>
40	34,92 <b>1.375</b>	2 5/16" x 16 UN	110,20 <b>4.338</b>	67,00 <b>2.638</b>	65,00 <b>2.559</b>	7,00 <b>0.276</b>

ABCIRH

# Long Backshell, Grommet & Sealed Cable Clamp

Accessory Type 'XLC'  
 Style: ABBH - \*\* - \*\* - XLC - F80



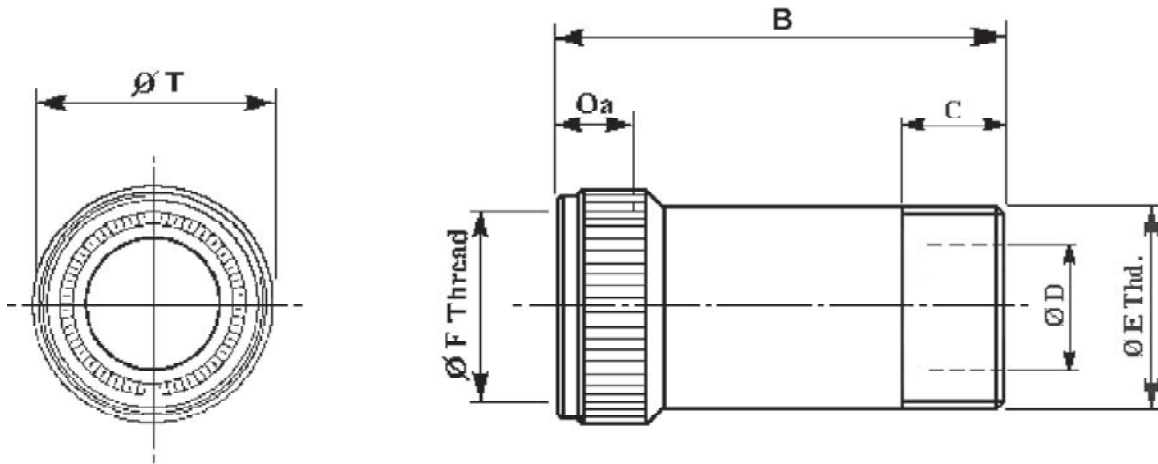
How to order:  
**ABBH - \*\* - \*\* - XLC - F80**  
 Shell size ————  
 Contact arrangement ————

Metric  
 Imperial

Shell Size	C		F Thread Dia. Class 2B	N	T Max	T1 Max	Oa Min Overlap Accessory
	Max	Min					
10SL	7,93 0.312	2,38 0.094	5/8" x 24 UNEF	79,47 3.129	22,00 0.866	23,80 0.937	7,00 0.276
14S	11,12 0.438	6,35 0.250	3/4" x 20 UNEF	79,47 3.129	25,00 0.984	26,97 1.062	7,00 0.276
16S	13,48 0.531	7,92 0.312	7/8" x 20 UNEF	79,47 3.129	28,00 1.102	30,18 1.188	7,00 0.276
16	13,48 0.531	7,92 0.312	7/8" x 20 UNEF	91,33 3.596	28,00 1.102	30,18 1.188	7,00 0.276
18	15,87 0.625	9,53 0.375	1" x 20 UNEF	91,33 3.596	31,00 1.220	33,32 1.312	7,00 0.276
20	19,00 0.748	12,70 0.500	1 1/8" x 18 UNEF	91,33 3.596	35,00 1.378	39,67 1.562	7,00 0.276
22	19,00 0.748	12,70 0.500	1 1/4" x 18 UNEF	91,33 3.596	38,00 1.496	39,67 1.562	7,00 0.276
24	23,80 0.937	15,09 0.594	1 3/8" x 18 UNEF	94,51 3.721	41,00 1.614	44,45 1.750	7,00 0.276
28	23,80 0.937	15,09 0.594	1 5/8" x 18 UNEF	101,51 3.996	48,00 1.889	44,45 1.750	7,00 0.276
32	31,75 1.250	23,83 0.938	1 7/8" x 16 UN	107,86 4.246	54,00 2.126	57,15 2.250	7,00 0.276
36	35,00 1.378	24,61 0.969	2 1/16" x 16 UNS	114,21 4.496	61,00 2.402	60,33 2.375	7,00 0.276
40	41,25 1.624	30,18 1.188	2 5/16" x 16 UN	114,21 4.496	67,00 2.638	66,68 2.625	7,00 0.276

# Long Backshell with Grommet

Accessory Type 'SHE'  
 Style: ABBH - \*\* - \*\* - SHE - F80



How to order:  
**ABBH - \*\* - \*\* - SHE - F80**  
 Shell size ————  
 Contact arrangement ————

Metric  
**Imperial**

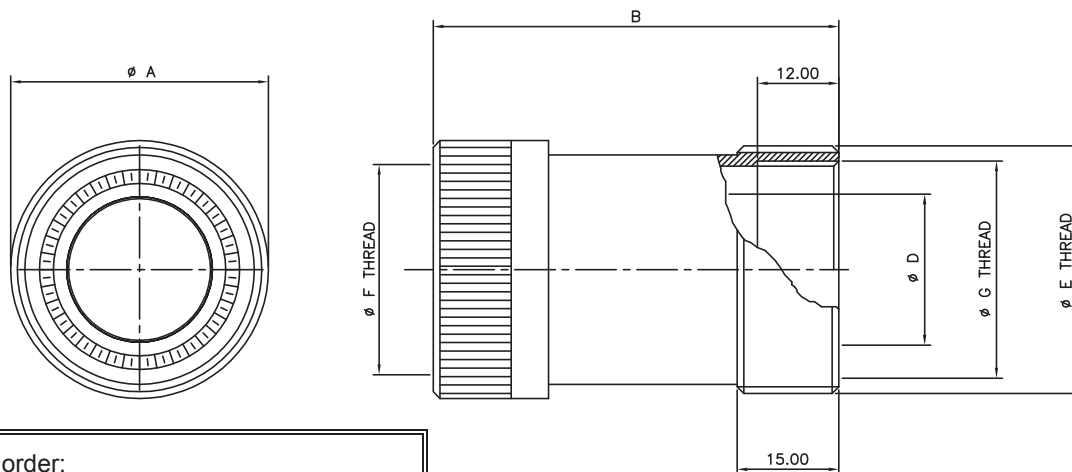
Shell Size	Ø T (Max.)	B	± 0.10	+ 0 / - 0.10	Ø E Thd.	Ø F Thd.	Ø a (Min)
10SL	22,0 <b>0.866</b>	48,5 <b>1.909</b>	15,0 <b>0.591</b>	8,5 <b>0.335</b>	5/8" x 24 UNEF	5/8" x 24 UNEF	7,0 <b>0.276</b>
14S	25,0 <b>0.984</b>	48,5 <b>1.909</b>	15,0 <b>0.591</b>	11,7 <b>0.461</b>	3/4" x 20 UNEF	3/4" x 20 UNEF	7,0 <b>0.276</b>
16S	28,0 <b>1.102</b>	48,5 <b>1.909</b>	15,0 <b>0.591</b>	13,9 <b>0.547</b>	7/8" x 20 UNEF	7/8" x 20 UNEF	7,0 <b>0.276</b>
16	28,0 <b>1.103</b>	58,8 <b>2.303</b>	15,0 <b>0.591</b>	13,9 <b>0.547</b>	7/8" x 20 UNEF	7/8" x 20 UNEF	7,0 <b>0.276</b>
18	31,0 <b>1.220</b>	58,8 <b>2.303</b>	15,0 <b>0.591</b>	16,9 <b>0.666</b>	1" x 20 UNEF	1" x 20 UNEF	7,0 <b>0.276</b>
20	35,0 <b>1.378</b>	58,8 <b>2.303</b>	15,0 <b>0.591</b>	20,9 <b>0.823</b>	1 3/16" x 18 UNEF	1 1/8" x 18 UNEF	7,0 <b>0.276</b>
22	38,0 <b>1.496</b>	58,8 <b>2.303</b>	15,0 <b>0.591</b>	20,9 <b>0.823</b>	1 3/16" x 18 UNEF	1 1/4" x 18 UNEF	7,0 <b>0.276</b>
24	41,0 <b>1.614</b>	58,8 <b>2.303</b>	15,0 <b>0.591</b>	25,9 <b>1.020</b>	1 7/16" x 18 UNEF	1 3/8" x 18 UNEF	7,0 <b>0.276</b>
28	48,0 <b>1.890</b>	65,8 <b>2.303</b>	15,0 <b>0.591</b>	25,9 <b>1.020</b>	1 7/16" x 18 UNEF	1 5/8" x 18 UNEF	7,0 <b>0.276</b>
32	54,0 <b>2.126</b>	65,8 <b>2.303</b>	15,0 <b>0.591</b>	32,0 <b>1.260</b>	1 3/4" x 18 UNS	1 7/8" x 16 UN	7,0 <b>0.276</b>
36	61,0 <b>2.402</b>	65,8 <b>2.303</b>	15,0 <b>0.591</b>	36,9 <b>1.453</b>	2" x 18 UNS	2 1/16" x 16 UNS	7,0 <b>0.276</b>
40	67,0 <b>2.638</b>	65,8 <b>2.303</b>	15,0 <b>0.591</b>	44,9 <b>1.768</b>	2 1/4" x 16 UN	2 5/16" x 16 UN	7,0 <b>0.276</b>



ABCIRH

# Step Up Adaptor Metric/PG

Accessory Type 'SUAM/SUAP'  
 Style: ABBH - \*\* - \*\* - SUA\* - F80



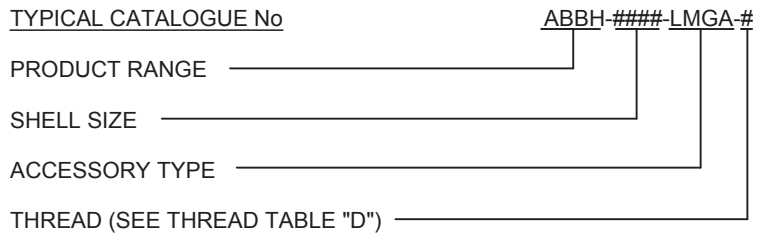
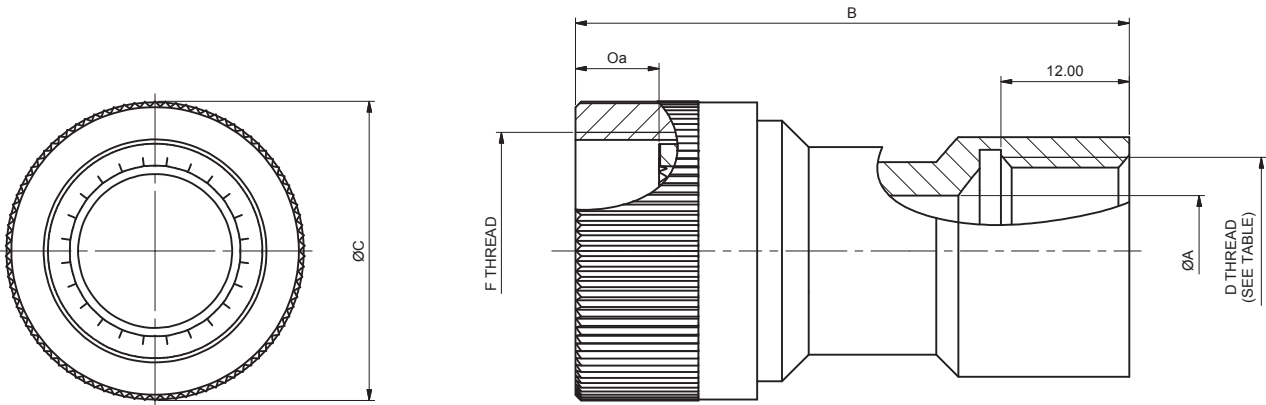
How to order:  
**ABBH - \*\* - \*\* - SUA# - F80**

Shell size ————  
 Contact arrangement ————  
 M - metric thread ————  
 P - PG thread

Shell Size	Thread F	ØA max.	B	ØD +0/-0.10 bore	Thread E	ØG Thread	
						Metric	PG
10SL	Consult Factory						
14S	Consult Factory						
16S	Consult Factory						
16	Consult Factory						
18	1" x 20 UNEF	31.0	58.8	16.7	1 3/16" x 18 UNEF	M25 x 1.5	PG 16
20	1 1/8" x 18 UNEF	35.0	58.8	19.8	1 7/16" x 18 UNEF	M32 x 1.5	PG 21
22	1 1/4" x 18 UNEF	38.0	58.8	19.8	1 7/16" x 18 UNEF	M32 x 1.5	PG 21
24	1 3/8" x 18 UNEF	41.0	58.8	25.4	1 3/4" x 18 UNEF	M40 x 1.5	PG 29
28	1 5/8" x 18 UNEF	48.0	65.8	27.0	1 3/4" x 18 UN	M40 x 1.5	PG 29
32	1 7/8" x 16 UNEF	54.0	65.8	32.5	2" x 18 UNS	M40 x 1.5	PG 29
36	2 1/16" x 16 UNS	61.0	65.8	35.7	2 1/4" x 16 UN	M50 x 1.5	PG 36
40	2 5/16" x 16 UNS	67.0	65.8	45.0	2 1/2" x 16 UN	M50 x 1.5	PG 42

# Locking Metric Gland Adaptor

Accessory Type 'LMGA'  
 Style ABBH - \*\* - \*\* - LMGA - F80



Thread Table "D"	
Metric (MGA)	Thread Size
A	M12
B	M16
C	M20
D	M25
E	M32
F	M40
G	M50
H	M63

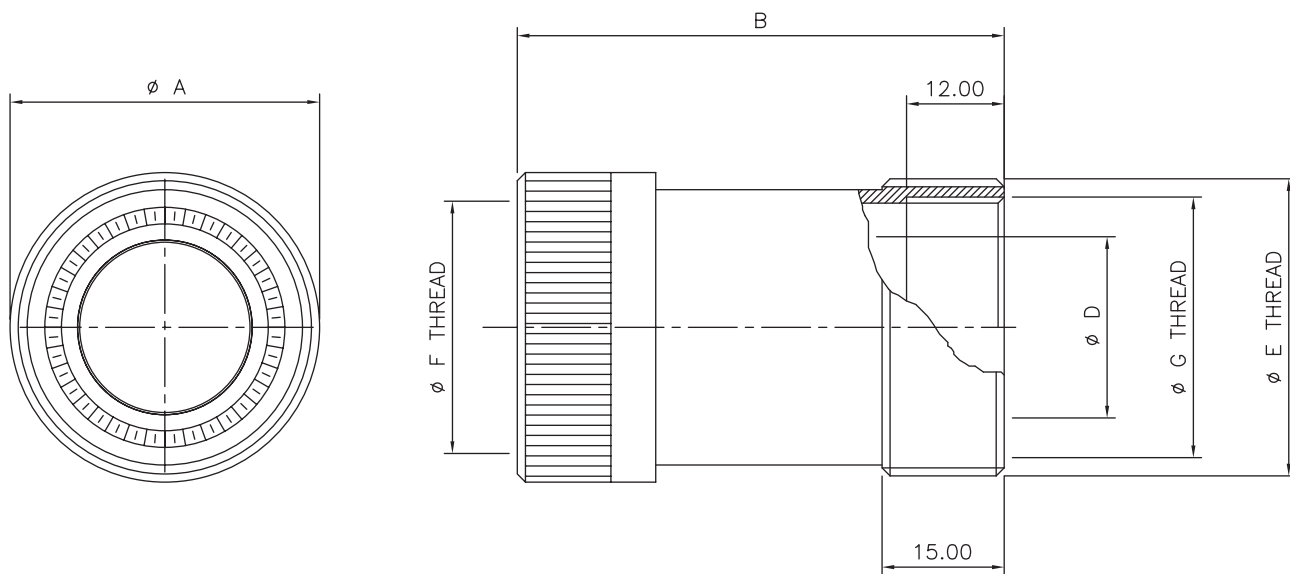
Shell Size	Part Number	Diameter "A" MI	B	Diameter "C" M	Thread D (See Table)	Thread F	Oa Min Overlap Accessory
10SL	ABBH-10SL-LMGA	8.70	48.5	22.00	A & B	5/8-24 UNEF	7.00
14S	ABBH-14S-LMGA	11.20	48.5	25.00	B & C	3/4-20 UNEF	7.00
16S	ABBH-16S-LMGA	14.40	48.5	28.00	C	7/8-20 UNEF	7.00
16	ABBH-16-LMGA	14.40	58.8	28.00	C	7/8-20 UNEF	7.00
18	ABBH-18-LMGA	16.70	58.8	31.00	C & D	1-20 UNEF	7.00
20	ABBH-20-LMGA	19.80	58.8	35.00	D & E	1 1/8-18 UNEF	7.00
22	ABBH-22-LMGA	19.80	58.8	38.00	D & E	1 1/4-18 UNEF	7.00
24	ABBH-24-LMGA	25.4	58.8	41.00	E & F	1 3/8-18 UNEF	7.00
28	ABBH-28-LMGA	27.00	65.8	48.00	E & F	1 5/8-18 UNEF	7.00
32	ABBH-32-LMGA	32.50	65.8	54.00	F & G	1 7/8-16 UN	7.00
36	ABBH-36-LMGA	35.70	65.8	61.00	G & H	2 1/16-16 UNS	7.00
40	ABBH-40-LMGA	45.00	65.8	67.00	G & H	2 5/16-16 UN	7.00

ABCIRH

# Step Down Adaptor Metric/PG

Step-down Adaptors - Metric / PG Inner Thread  
Imperial Outer Thread

Style: ABBH - \*\* - \*\* - SDA\*



How to order:  
**ABBH - \*\* - \*\* - SDA# - F80**

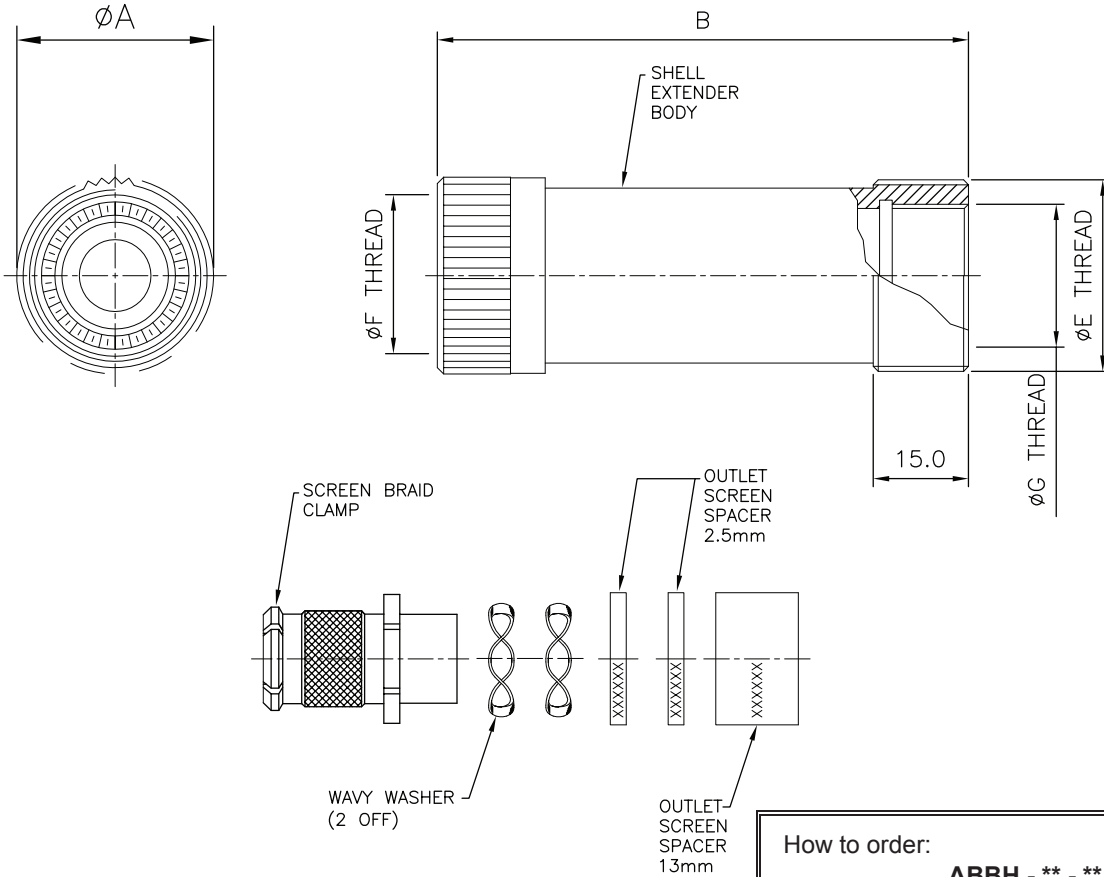
Shell size ————  
 Contact arrangement ————  
 M - metric thread ————  
 P - PG thread ————

Shell Size	ØF Thread	ØE Thread	ØG Thread		ØA max.	B	ØD +0/-0.10 Bore
			Metric	PG			
10SL	Consult Factory						
14S	Consult Factory						
16S	Consult Factory						
16	Consult Factory						
18	1" x 20 UNEF	7/8" x 20 UNEF	M18 x 1.5	PG11	31.00	58.8	TBC
20	1 1/8" x 18 UNEF	1" x UNEF	M20 x 1.5	PG13.5	35.00	58.8	TBC
22	1 1/4" x 18 UNEF	1" x UNEF	M20 x 1.5	PG13.5	38.00	58.8	TBC
24	1 3/8" x 18 UNEF	1 3/16" x 18 UNEF	M25 x 1.5	PG16	41.00	58.8	TBC
28	1 5/8" x 18 UNEF	1 3/16" x 18 UNEF	M25 x 1.5	PG16	48.00	65.8	TBC
32	1 7/8" x 16 UNEF	1 7/16" x 16 UNEF	M32 x 1.5	PG21	54.00	65.8	TBC
36	2 1/16" x 16 UNS	1 3/4" x 16 UNEF	M40 x 1.5	PG29	61.00	65.8	TBC
40	2 5/16" x 16 UNS	2" x 16 UNS	M40 x 1.5	PG29	67.00	73	TBC

# Step Down Adaptor Metric/PG Screened

Step-down Adaptors - Metric / PG Inner Thread  
Imperial Outer Thread

Style: ABBH - \*\* - \*\* - SUA\*S



**How to order:**  
**ABBH - \*\* - \*\* - SUA# - F80**

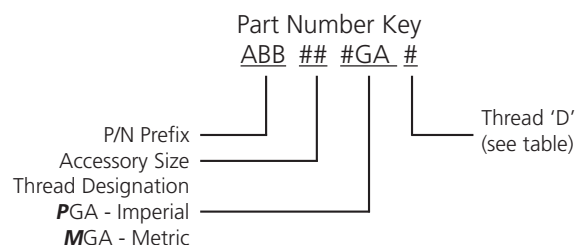
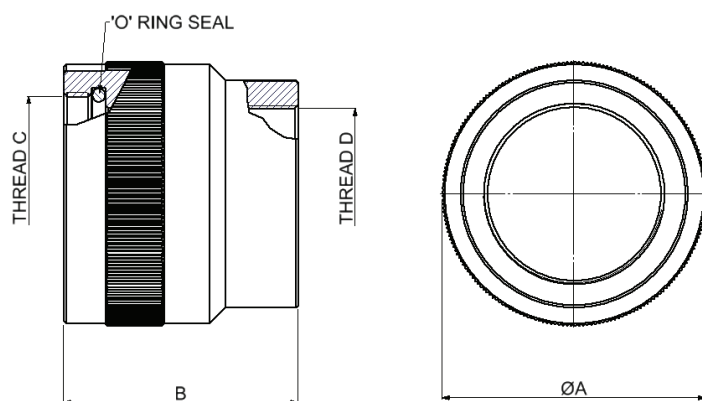
Shell size \_\_\_\_\_  
 Contact arrangement \_\_\_\_\_  
 M - metric thread \_\_\_\_\_  
 P - PG thread \_\_\_\_\_

Shell Size	$\phi F$ Thread	$\phi E$ Thread	$\phi G$ Thread		$\phi A$ max.	B
			Metric	PG		
10SL	Consult factory					
14S	Consult factory					
16S	Consult factory					
16	Consult factory					
18	1 1/8" x 20 UNEF	1 3/16" x 18 UNEF	M25 x 1.5	PG16	31.00	83.3
20	1 1/8" x 18 UNEF	1 7/16" x 18 UNEF	M32 x 1.5	PG21	35.00	83.3
22	1 1/4" x 18 UNEF	1 7/16" x 18 UNEF	M32 x 1.5	PG21	38.00	83.3
24	1 3/8" x 18 UNEF	1 3/4" x 18 UNEF	M40 x 1.5	PG29	41.00	83.3
28	1 5/8" x 18 UNEF	1 3/4" x 18 UN	M40 x 1.5	PG29	48.00	83.3
32	1 7/8" x 16 UNEF	2" x 18 UNS	M40 x 1.5	PG29	54.00	83.3
36	2 1/16" x 16 UNS	2 1/4" x 16 UN	M50 x 1.5	PG36	61.00	83.3
40	2 5/16" x 16 UNS	2 1/2" x 16 UN	M50 x 1.5	PG42	67.00	83.3

ABCIRH

# PG Threaded Adaptors

(fitting on ACA, CCA, XL & FT accessory with PG / METRIC thread)



P/N Example to fit shell size 20 with a rear metric thread size M25

**ABB 20 MGA D**

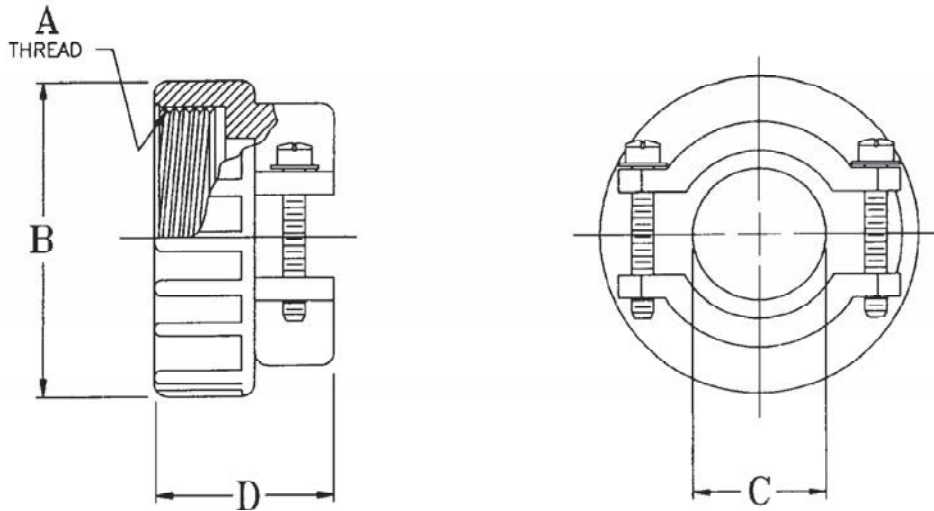
Shell Size	Part Number	ØA	B	Thread C
10SL	ABB-10SL-#GA-#M32	20.00	35.00	5/8" x 24 UNEF
14S	ABB-14S-#GA-#M32	23.50	35.00	3/4" x 20 UNEF
16S	ABB-16S-#GA-#M32	28.00	35.00	7/8" x 20 UNEF
18	ABB-18-#GA-#M32	34.00	40.00	1" x 20 UNEF
20-22	ABB-20-#GA-#M32	37.00	40.00	1 3/16" x 18 UNEF
24-28	ABB-24-#GA-#M32	43.00	40.00	1 7/16" x 18 UNEF
32	ABB-32-#GA-#M32	54.00	48.00	1 3/4" x 18 UNS
36	ABB-36-#GA-#M32	57.20	50.00	2" x 18 UNS
40	ABB-40-#GA-#M32	65.00	51.00	2 1/4" x 16 UN

Thread Table (D)			
Imperial (PGA)	Thread Size	Metric (MGA)	Thread Size
A	PG7	A	M12 x 1.5
B	PG9	B	M16 x 1.5
C	PG11	C	M20 x 1.5
D	PG13.5	D	M25 x 1.5
E	PG16	E	M32 x 1.5
F	PG21	F	M40 x 1.5
G	PG29	G	M50 x 1.5
H	PG36	H	M63 x 1.5
J	PG42		
K	PG48		



# Cable Clamp

Style: MS 3057A



Metric

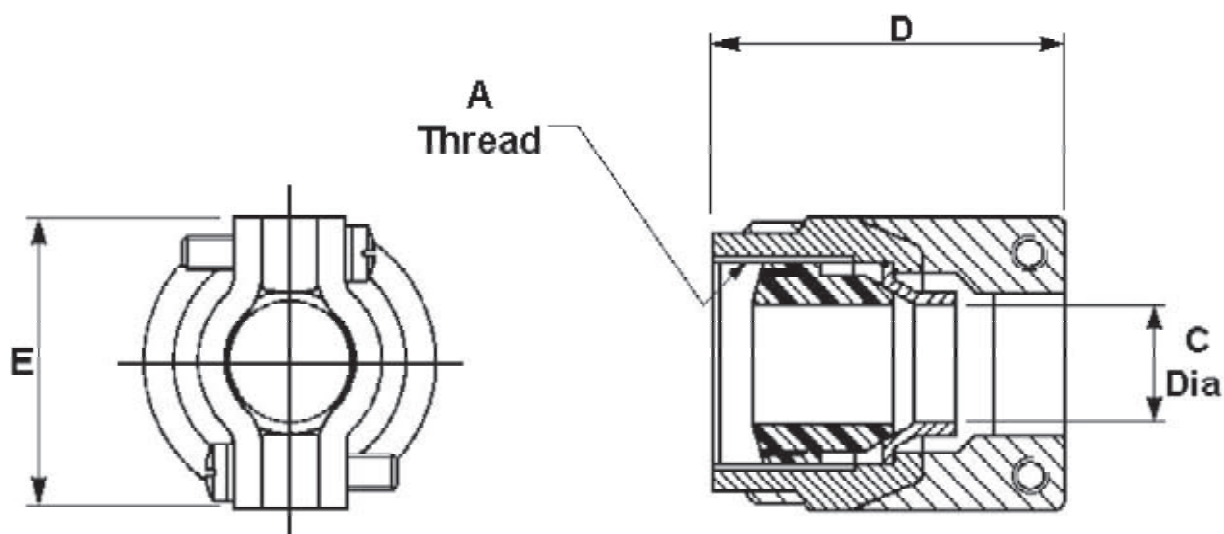
Imperial

Shell Size	MS3057 Reference	AB Connectors Part Number	A Thread Dia. Class 2A	B Max	C Max	D Max
10SL	-4A	CMSP3057A10SL	5/8" x 24 UNEF	21,41 <b>0.843</b>	7,95 <b>0.313</b>	21,41 <b>0.843</b>
14S	-6A	CMSP3057A14S	3/4" x 20 UNEF	25,40 <b>1.000</b>	11,13 <b>0.438</b>	23,01 <b>0.906</b>
16S	-8A	CMSP3057A16S	7/8" x 20 UNEF	28,58 <b>1.125</b>	14,30 <b>0.563</b>	24,61 <b>0.969</b>
16	-8A	CMSP3057A16	7/8" x 20 UNEF	28,58 <b>1.125</b>	14,30 <b>0.563</b>	24,61 <b>0.969</b>
18	-10A	CMSP3057A18	1" x 20 UNEF	30,96 <b>1.219</b>	15,88 <b>0.625</b>	24,61 <b>0.969</b>
20	-12A	CMSP3057A20	1 3/16" x 18 UNEF	35,71 <b>1.406</b>	19,05 <b>0.750</b>	24,61 <b>0.969</b>
22	-12A	CMSP3057A22	1 3/16" x 18 UNEF	35,71 <b>1.406</b>	19,05 <b>0.750</b>	24,61 <b>0.969</b>
24	-16A	CMSP3057A24	1 7/16" x 18 UNEF	42,85 <b>1.687</b>	23,83 <b>0.938</b>	26,97 <b>1.062</b>
28	-16A	CMSP3057A28	1 7/16" x 18 UNEF	42,85 <b>1.687</b>	23,83 <b>0.938</b>	26,97 <b>1.062</b>
32	-20A	CMSP3057A32	1 3/4" x 18 UNS	52,37 <b>2.062</b>	31,75 <b>1.250</b>	28,58 <b>1.125</b>
36	-24A	CMSP3057A36	2" x 18 UNS	57,15 <b>2.250</b>	34,93 <b>1.375</b>	30,15 <b>1.187</b>
40	-28A	CMSP3057A40	2 1/4" x 16 UN	64,29 <b>2.531</b>	41,28 <b>1.625</b>	43,66 <b>1.719</b>

ABCIRH

# Sealed Cable Clamp For Jacketed Cable

Style: MS 3057C

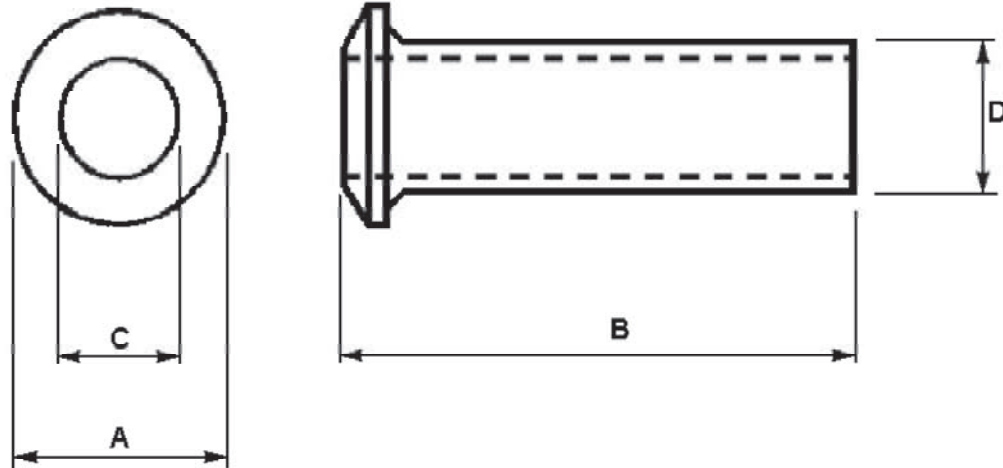


Metric
Imperial

Shell Size	MS3057 Reference	AB Connectors Part Number	A Thread Dia. Class 2A	C Dia.		D Max	E Max
				Max	Min		
10SL	-4C	CMSP3057C10SL	5/8" x 24 UNEF	7,93 <b>0.312</b>	2,38 <b>0.094</b>	34,93 <b>1.375</b>	23,80 <b>0.937</b>
14S	-6C	CMSP3057C14S	3/4" x 20 UNEF	11,12 <b>0.438</b>	6,35 <b>0.250</b>	34,93 <b>1.375</b>	26,97 <b>1.062</b>
16S	-8C	CMSP3057C16S	7/8" x 20 UNEF	13,48 <b>0.531</b>	7,92 <b>0.312</b>	34,93 <b>1.375</b>	30,18 <b>1.188</b>
16	-8C	CMSP3057C16	7/8" x 20 UNEF	13,48 <b>0.531</b>	7,92 <b>0.312</b>	34,93 <b>1.375</b>	30,18 <b>1.188</b>
18	-10C	CMSP3057C18	1" x 20 UNEF	15,87 <b>0.625</b>	9,53 <b>0.375</b>	36,50 <b>1.437</b>	33,32 <b>1.312</b>
20	-12C	CMSP3057C20	1 3/16" x 18 UNEF	19,00 <b>0.748</b>	12,70 <b>0.500</b>	36,50 <b>1.437</b>	39,21 <b>1.562</b>
22	-12C	CMSP3057C22	1 3/16" x 18 UNEF	19,00 <b>0.748</b>	12,70 <b>0.500</b>	36,50 <b>1.437</b>	39,21 <b>1.562</b>
24	-16C	CMSP3057C24	1 7/16" x 18 UNEF	23,80 <b>0.937</b>	15,09 <b>0.594</b>	39,67 <b>1.562</b>	44,45 <b>1.750</b>
28	-16C	CMSP3057C28	1 7/16" x 18 UNEF	23,80 <b>0.937</b>	15,09 <b>0.594</b>	39,67 <b>1.562</b>	44,45 <b>1.750</b>
32	-20C	CMSP3057C32	1 3/4" x 18 UNS	31,75 <b>1.250</b>	23,83 <b>0.938</b>	46,02 <b>1.812</b>	57,15 <b>2.250</b>
36	-24C	CMSP3057C36	2" x 18 UNS	35,00 <b>1.378</b>	24,61 <b>0.969</b>	52,37 <b>2.062</b>	60,33 <b>2.375</b>
40	-28C	CMSP3057C40	1 1/4" x 16 UN	41,25 <b>1.624</b>	30,18 <b>1.188</b>	52,37 <b>2.062</b>	66,68 <b>2.625</b>

# Telescopic Bushing

Style: MS 3057A



## Note

The bushings can fit inside one another to reduce the cable entry diameter and improving clamping and sealing.

Metric

Imperial

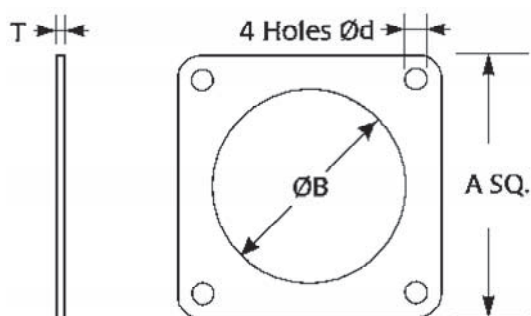
Shell Size	Part Number	A	B	C	D
10SL	SBMSH5541	12,83 0.505	69,85 2.750	5,59 0.220	7,62 0.300
14S	SBMSH5542	15,88 0.625	66,68 2.625	7,92 0.312	10,80 0.425
16S	SBMSH5543	19,05 0.750	63,50 2.500	11,10 0.437	13,97 0.550
16	SBMSH5543	19,05 0.750	63,50 2.500	11,10 0.437	13,97 0.550
18	SBMSH5544	22,23 0.875	60,33 2.375	14,27 0.562	15,57 0.613
20	SBMSH5545	25,40 1.000	57,15 2.250	15,88 0.625	18,75 0.738
22	SBMSH5546	28,58 1.125	57,15 2.250	15,88 0.625	18,75 0.738
24	SBMSH5547	31,75 1.250	53,98 2.125	19,05 0.750	23,50 0.925
28	SBMSH5548	38,23 1.505	53,98 2.125	19,05 0.750	23,50 0.925
32	SBMSH5549	44,45 1.750	50,80 2.000	23,80 0.937	31,45 1.238
36	SBMSH55410	47,88 1.885	47,63 1.875	31,75 1.250	34,62 1.363
40	SBMSH55411	52,90 2.083	44,40 1.748	34,92 1.375	40,99 1.614



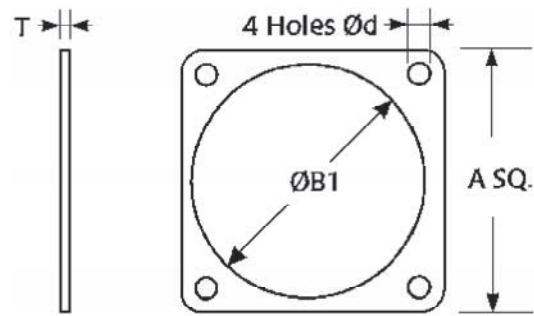
ABCIRH

# Panel Sealing Gaskets

Non-Screening, Sealing Only  
RFI Conductive Screening & Sealing



**Front Mounted Receptacle**  
**Part Number:**  
Non-Screening- SB - \*\* - RPG  
RFI Screening- SB - \*\* - RPGS

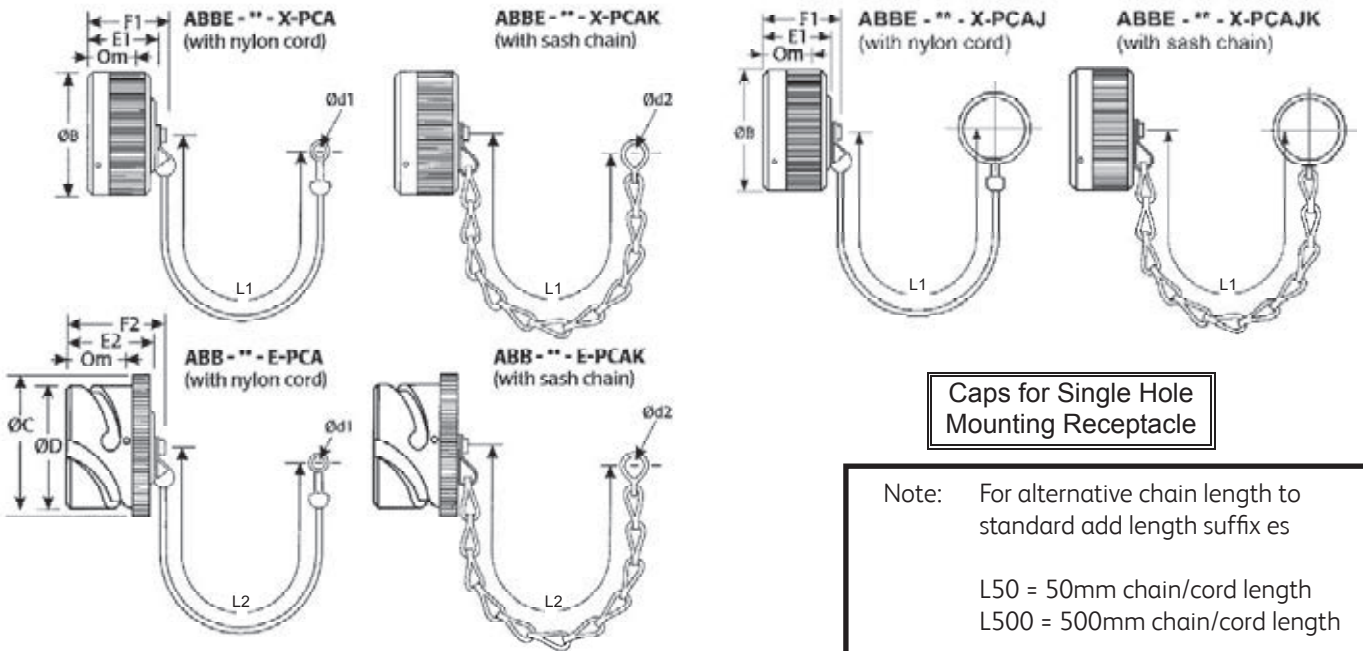


**Rear Mounted Receptacle**  
**Part Number:**  
Non-Screening- SB - \*\* - FPG  
RFI Screening- SB - \*\* - FPGS

Shell size	A Min	B Nominal	B1 Nominal	d Min	T Nominal
10SL	25,40 1.000	15,88 0.625	18,30 0.720	3,43 0.135	1,00 0.040
14S	30,20 1.188	19,00 0.750	24,70 0.972	3,43 0.135	1,00 0.040
16S	32,50 1.280	22,20 0.875	27,50 1.083	3,43 0.135	1,00 0.040
16	32,50 1.280	22,20 0.875	27,50 1.083	3,43 0.135	1,00 0.040
18	34,90 1.375	25,40 1.000	30,90 1.217	3,43 0.135	1,00 0.040
20	38,10 1.500	28,60 1.125	34,30 1.350	3,43 0.135	1,00 0.040
22	41,30 1.625	31,70 1.250	37,50 1.476	3,43 0.135	1,00 0.040
24	44,50 1.750	34,90 1.375	41,00 1.614	4,12 0.162	1,00 0.040
28	50,80 2.000	41,30 1.625	46,80 1.843	4,12 0.162	1,00 0.040
32	57,20 2.250	47,60 1.875	53,50 2.106	4,78 0.188	1,00 0.040
36	63,50 2.500	52,60 2.071	59,70 2.350	4,78 0.188	1,00 0.040
40	69,90 2.750	61,90 2.440	65,50 2.580	5,10 2.010	1,00 0.040
*49	110,00 4.331	98,10 3.862	98,10 3.862	7,90 0.311	1,25 0.049

# Protective Caps

Styles: **ABBE - \*\* - X-PCA / X-PCAK & X-PCAJ / X-PCAJK**  
**ABB - \*\* - E-PCA / E-PCAK**



**Caps for Single Hole Mounting Receptacle**

Note: For alternative chain length to standard add length suffix es  
 L50 = 50mm chain/cord length  
 L500 = 500mm chain/cord length

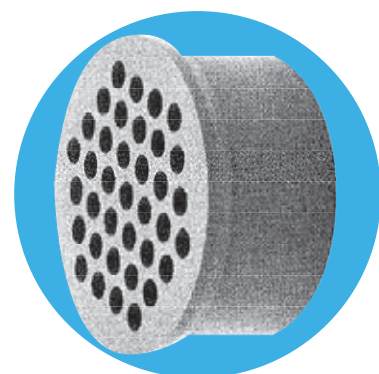
Metric  
**Imperial**

Shell Size	B Max	C Max	D Max	E1 Max	E2 Max	F1 Max	F2 Max	L1 approx. See note	d1 Min	d2 +0.5, -0 +0.02, -0	Om Min Overlap Mated	L2
10SL	22,80 <b>0.898</b>	26,10 <b>1.028</b>	18,20 <b>0.717</b>	17,50 <b>0.689</b>	21,60 <b>0.850</b>	24,60 <b>0.969</b>	28,40 <b>1.118</b>	100,00 <b>4.000</b>	4,85 <b>0.191</b>	4,30 <b>0.169</b>	11,10 <b>0.437</b>	100
14S	29,20 <b>1.150</b>	32,50 <b>1.280</b>	24,60 <b>0.969</b>	17,50 <b>0.689</b>	21,60 <b>0.850</b>	24,60 <b>0.969</b>	28,40 <b>1.118</b>	100,00 <b>4.000</b>	4,85 <b>0.191</b>	4,30 <b>0.169</b>	11,10 <b>0.437</b>	100
16S	32,40 <b>1.276</b>	35,30 <b>1.390</b>	27,40 <b>1.079</b>	17,50 <b>0.689</b>	21,60 <b>0.850</b>	24,60 <b>0.969</b>	28,40 <b>1.118</b>	100,00 <b>4.000</b>	4,85 <b>0.191</b>	4,30 <b>0.169</b>	11,10 <b>0.437</b>	100
16	32,40 <b>1.276</b>	35,30 <b>1.390</b>	27,40 <b>1.079</b>	24,00 <b>0.945</b>	27,30 <b>1.075</b>	24,60 <b>0.969</b>	28,40 <b>1.118</b>	100,00 <b>4.000</b>	4,85 <b>0.191</b>	4,30 <b>0.169</b>	15,85 <b>0.624</b>	100
18	36,50 <b>1.437</b>	38,70 <b>1.524</b>	30,80 <b>1.213</b>	24,00 <b>0.945</b>	27,30 <b>1.075</b>	29,80 <b>1.173</b>	33,90 <b>1.335</b>	150,00 <b>6.000</b>	4,85 <b>0.191</b>	4,30 <b>0.169</b>	15,85 <b>0.624</b>	150
20	39,90 <b>1.571</b>	42,10 <b>1.658</b>	34,20 <b>1.346</b>	24,00 <b>0.945</b>	27,30 <b>1.075</b>	29,80 <b>1.173</b>	33,90 <b>1.335</b>	150,00 <b>6.000</b>	4,85 <b>0.191</b>	4,30 <b>0.169</b>	15,85 <b>0.624</b>	150
22	43,10 <b>1.697</b>	45,30 <b>1.784</b>	37,40 <b>1.472</b>	24,00 <b>0.945</b>	27,30 <b>1.075</b>	29,80 <b>1.173</b>	33,90 <b>1.335</b>	150,00 <b>6.000</b>	4,85 <b>0.191</b>	4,30 <b>0.169</b>	15,75 <b>0.620</b>	150
24	46,60 <b>1.835</b>	48,80 <b>1.921</b>	40,90 <b>1.610</b>	24,00 <b>0.945</b>	27,30 <b>1.075</b>	29,80 <b>1.173</b>	33,90 <b>1.335</b>	150,00 <b>6.000</b>	4,85 <b>0.191</b>	4,30 <b>0.169</b>	15,75 <b>0.620</b>	150
28	53,40 <b>2.102</b>	54,60 <b>2.150</b>	46,70 <b>1.838</b>	24,00 <b>0.945</b>	27,30 <b>1.075</b>	29,80 <b>1.173</b>	33,90 <b>1.335</b>	170,00 <b>6.690</b>	4,85 <b>0.191</b>	4,30 <b>0.169</b>	15,75 <b>0.620</b>	200 <b>7.900</b>
32	60,10 <b>2.366</b>	61,30 <b>2.413</b>	53,40 <b>2.102</b>	27,00 <b>1.063</b>	27,30 <b>1.075</b>	29,80 <b>1.173</b>	33,90 <b>1.335</b>	170,00 <b>6.690</b>	4,85 <b>0.191</b>	5,50 <b>0.217</b>	15,75 <b>0.620</b>	200 <b>7.900</b>
36	66,30 <b>2.610</b>	67,50 <b>2.658</b>	59,60 <b>2.346</b>	27,00 <b>1.063</b>	27,30 <b>1.075</b>	29,80 <b>1.173</b>	33,90 <b>1.335</b>	170,00 <b>6.690</b>	4,85 <b>0.191</b>	5,50 <b>0.217</b>	15,75 <b>0.620</b>	200 <b>7.900</b>
40	72,10 <b>2.838</b>	73,40 <b>2.890</b>	65,50 <b>2.579</b>	27,00 <b>1.063</b>	27,30 <b>1.075</b>	29,80 <b>1.173</b>	33,90 <b>1.335</b>	170,00 <b>6.690</b>	4,85 <b>0.191</b>	5,50 <b>0.217</b>	15,75 <b>0.620</b>	200 <b>7.900</b>

ABCIRH

# Individual Wire Seal Grommet

## Dummy Pin, Socket & Grommet Filler Plug



How to order:

**ABBH - \*\* - \*\* - GAC - F80**

Shell size

Contact arrangement

Metric

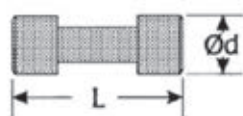
Imperial

F80 Contact Sizes AWG (Metric)	*Wire Insulation Min O/D	*Wire Insulation Max O/D
16S/16 (15S/15)	1,52 <b>0.060</b>	3,20 <b>0.126</b>
12 (25)	2,44 <b>0.096</b>	5,12 <b>0.202</b>
8 (100)	4,90 <b>0.193</b>	7,20 <b>0.283</b>
4 (160)	8,18 <b>0.322</b>	11,00 <b>0.433</b>
**0 (500)	14,00 <b>0.551</b>	16,00 <b>0.630</b>

\* Please contact sales office for further detail.

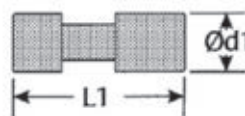
\*\* For details of grommet reducing bushes to suit 35mm<sup>2</sup>, 25mm<sup>2</sup> & 16mm<sup>2</sup> wire, please contact the sales office

### Grommet Filler Plug



**ABB - \*\* - KFP F80**

### Dummy Contact



**ABB - \*\* - KDP F80**

Metric

Imperial

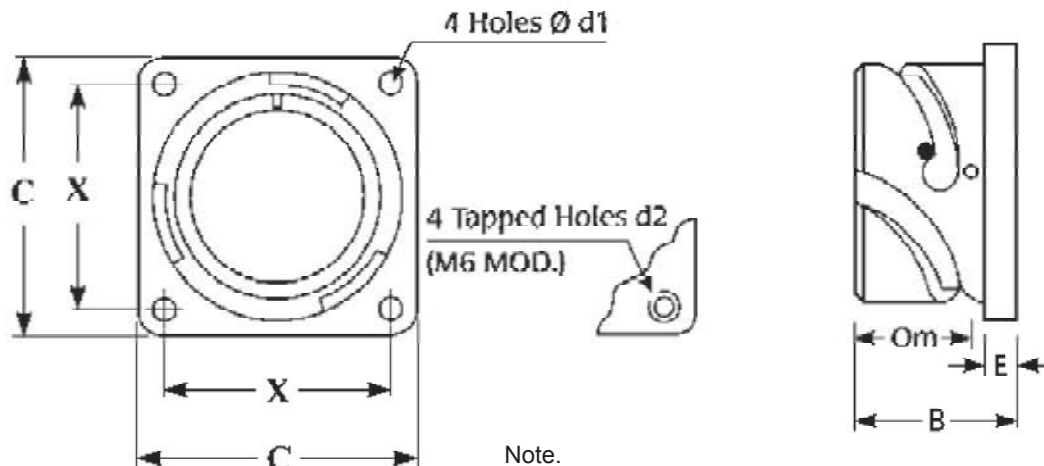
Contact Size AWG (Metric)	L Max	d Max	L1 Max	d1 Max	Colour Code
***16 (15)	12,30 <b>0.484</b>	3,90 <b>0.154</b>	20,00 <b>0.787</b>	3,20 <b>0.126</b>	Brown (KDP/KDS)
12 (25)	12,30 <b>0.484</b>	4,80 <b>0.189</b>	20,40 <b>0.803</b>	4,80 <b>0.189</b>	Orange
8 (100)	12,10 <b>0.476</b>	7,00 <b>0.276</b>	22,75 <b>0.896</b>	7,80 <b>0.307</b>	Violet
4 (160)	12,10 <b>0.476</b>	10,20 <b>0.402</b>	*	*	Black
0 (500)	12,50 <b>0.500</b>	15,60 <b>0.614</b>	24,60 <b>0.969</b>	15,00 <b>0.590</b>	White

\* Please contact sales office for further detail.

\*\* For details of grommet reducing bushes to suit 35mm<sup>2</sup>, 25mm<sup>2</sup> & 16mm<sup>2</sup> wire, please contact the sales office

# Square Flange Stowage Receptacle

Style: ABCIR - \*\* - SX / SX - M6



Note.

See page 90 for mounting details

- This part has a hole through the centre.
- In order to maintain sealing to a panel (when used with Gasket), the panel cut out should not include the connector through hole
- Not normally practical with tapped holes.

Metric

Imperial

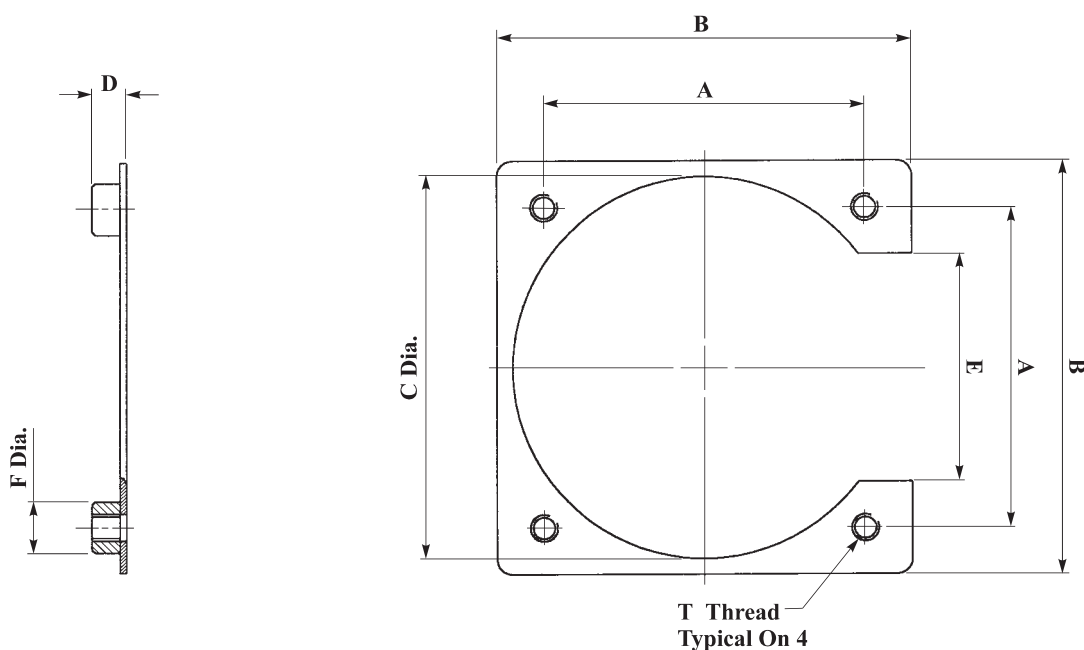
Part Number	B Max	C Max	D1 Min	d2 Thread	E Max	X	Om min overlap mated
ABCIR-10SL-SX	17,60 0.693	25,70 1.012	3,20 0.126	M4	3,00 0.118	18,20 0.717	11,10 0.437
ABCIR-14S-SX	18,00 0.709	30,30 1.193	3,20 0.126	M4	3,40 0.134	23,10 0.909	11,10 0.437
ABCIR-16S-SX	18,00 0.709	32,80 1.291	3,20 0.126	M4	3,40 0.134	24,60 0.969	11,10 0.437
ABCIR-16-SX	22,80 0.898	32,80 1.291	3,20 0.126	M4	3,40 0.134	24,60 0.969	15,85 0.624
ABCIR-18-SX	23,60 0.929	35,30 1.390	3,20 0.126	M4	4,20 0.165	27,00 1.063	15,85 0.624
ABCIR-20-SX	23,60 0.929	38,30 1.508	3,20 0.126	M4	4,20 0.165	29,40 1.157	15,85 0.624
ABCIR-22-SX	23,60 0.929	41,30 1.626	3,20 0.126	M4	4,20 0.165	31,80 1.252	15,75 0.620
ABCIR-24-SX	25,20 0.992	44,80 1.764	3,70 0.146	M4	4,20 0.165	34,90 1.374	15,75 0.620
ABCIR-28-SX	25,20 0.992	51,10 2.012	3,70 0.146	M5	4,20 0.165	39,70 1.563	15,75 0.620
ABCIR-32-SX	26,80 1.055	57,30 2.256	4,30 0.169	M5	4,20 0.165	44,50 1.752	15,75 0.620
ABCIR-36-SX	26,80 1.055	63,80 2.512	4,30 0.169	M5	4,20 0.165	49,20 1.937	15,75 0.620
ABCIR-40-SX	26,80 1.055	70,20 2.763	4,30 0.169	M5	4,20 0.165	55,50 2.185	15,75 0.620
ABCIR-49-SX	56,73 2.233	110,40 4.346	8,50 0.335	-	8,20 0.323	90,00 3.543	

ABCIRH

# Square Flange Receptacle

## Nut Plates

Style: ABB \*\* NP (Metric Thread) / NPA (UNC Thread)



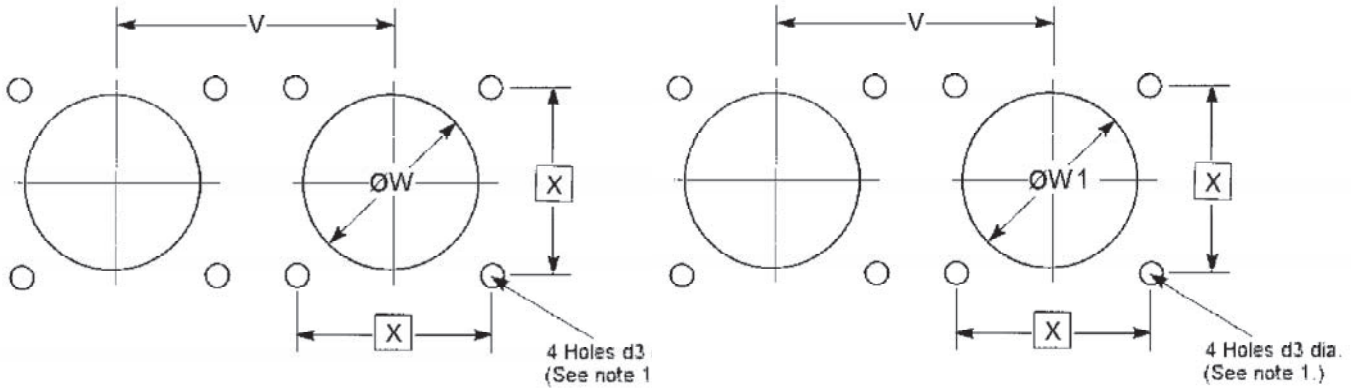
Metric

Imperial

Shell Size	A	B Max	C Dia. Max	D	E Max	F Dia. Max	T Thread	Part Number	T Thread	Part Number
10SL	18,26 0.719	26,26 1.034	17,85 0.702	2,69/4,22 0.106/0.166	11,50 0.453	6,00 0.236	M3 x 0,5	ABB10SLNP	4 - 40 UNC	ABB10SLNPA
14S	23,01 0.906	30,66 1.207	24,59 0.968	2,69/4,22 0.106/0.166	16,25 0.640	6,00 0.236	M3 x 0,5	ABB14SNP	4 - 40 UNC	ABB14SNPA
16S	24,61 0.969	32,26 1.270	28,17 1.109	2,69/4,22 0.106/0.166	17,85 0.703	6,00 0.236	M3 x 0,5	ABB16SNP	4 - 40 UNC	ABB16SNPA
16	24,61 0.969	32,26 1.270	28,17 1.109	2,69/4,22 0.106/0.166	17,85 0.703	6,00 0.236	M3 x 0,5	ABB16NP	4 - 40 UNC	ABB16NPA
18	26,97 1.062	34,62 1.363	30,48 1.250	2,69/4,22 0.106/0.166	20,21 0.796	6,00 0.236	M3 x 0,5	ABB18NP	4 - 40 UNC	ABB18NPA
20	29,36 1.156	38,48 1.515	33,53 1.320	2,69/4,22 0.106/0.166	22,47 0.885	6,00 0.236	M3 x 0,5	ABB20NP	4 - 40 UNC	ABB20NPA
22	31,75 1.250	40,84 1.608	36,65 1.443	2,69/4,22 0.106/0.166	23,54 0.927	6,00 0.236	M3 x 0,5	ABB22NP	4 - 40 UNC	ABB22NPA
24	34,93 1.375	44,83 1.765	40,00 1.575	2,69/4,22 0.106/0.166	25,90 1.020	7,50 0.295	M3 x 0,5	ABB24NP	4 - 40 UNC	ABB24NPA
28	39,67 1.562	51,18 2.015	46,61 1.835	2,69/4,22 0.106/0.166	29,08 1.145	7,50 0.295	M3 x 0,5	ABB28NP	4 - 40 UNC	ABB28NPA
32	44,45 1.750	59,10 2.327	52,75 2.077	3,50/5,00 0.138/0.197	30,68 1.208	8,00 0.315	M4 x 0,7	ABB32NP	8 - 32 UNC	ABB32NPA
36	49,23 1.968	63,86 2.514	59,10 2.327	3,50/5,00 0.138/0.197	35,43 1.395	8,00 0.315	M4 x 0,7	ABB36NP	8 - 32 UNC	ABB36NPA
40	55,58 2.188	74,68 2.940	68,33 2.690	3,50/5,00 0.138/0.197	38,60 1.520	8,00 0.315	M4 x 0,7	ABB40NP	8 - 32 UNC	ABB40NPA

# Square Flange Receptacles

## Panel Mounting Detail



**Front Mounting Style: ABCIRH00  
ABCIRH04  
ABCIRH12A**

**Rear Mounting Style: ABCIRH03  
ABCIRH05 & 07**

**Note 1.**  
When fixed connectors are used with threaded mounting holes, refer to hole sizes in column **d4**.

**Note 2.**  
When fixed connectors are used with plugs having rubber coupling nuts, please consult factory for panel cut-out dimensions.

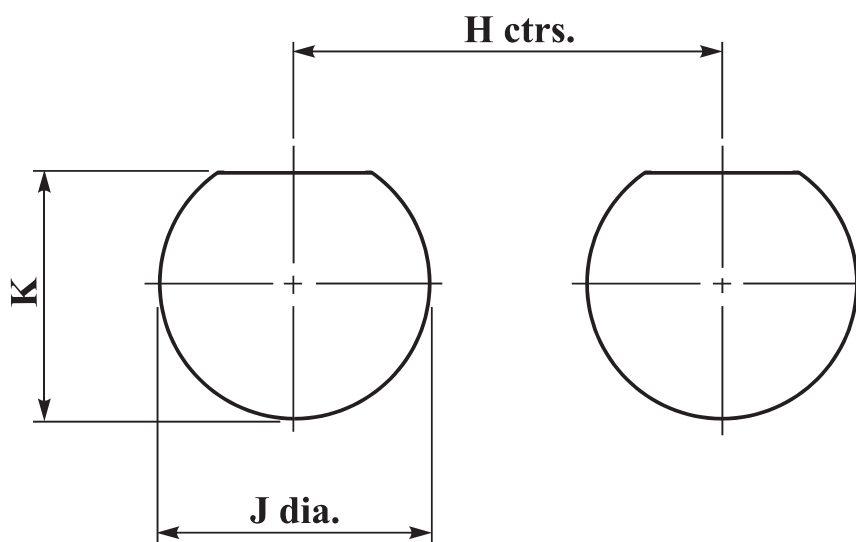
Metric
Imperial

Shell Size	d3 dia.	d4 dia.	V	W	W1	X
10SL	3,40 0.134	4,50 0.177	26,60 1.047	17,00 0.670	18,58 0.732	18,20 0.717
14S	3,40 0.134	4,50 0.177	31,60 1.244	20,00 0.780	24,98 0.984	23,00 0.906
16S	3,40 0.134	4,50 0.177	34,40 1.354	23,00 0.906	27,78 1.094	24,60 0.969
16	3,40 0.134	4,50 0.177	34,40 1.354	23,00 0.906	27,78 1.094	24,60 0.969
18	3,40 0.134	4,50 0.177	38,30 1.508	26,00 1.024	31,18 1.228	27,00 1.063
20	3,40 0.134	4,50 0.177	41,70 1.642	30,00 1.181	34,58 1.361	29,40 1.157
22	3,40 0.134	4,50 0.177	45,20 1.780	33,00 1.300	37,78 1.487	31,80 1.252
24	3,90 0.154	4,50 0.177	48,70 1.917	36,00 1.417	41,28 1.625	34,90 1.374
28	3,90 0.154	5,50 0.217	55,50 2.185	42,00 1.654	47,08 1.854	39,70 1.563
32	4,50 0.177	5,50 0.217	62,40 2.475	48,50 1.909	53,78 2.117	44,50 1.752
36	4,50 0.177	5,50 0.217	69,00 2.717	55,00 2.165	59,98 2.361	49,20 1.937
40	4,50 0.177	5,50 0.217	75,00 2.953	59,10 2.327	66,4 2.614	55,50 2.186
49	8,50 0.315	-	140,00 5.512	91,00 3.583	91,00 3.583	90,00 3.543

ABCIRH

# Single Hole Mounting Receptacle

## Panel Mounting Detail



### Note.

When fixed connectors are used with plugs having rubber coupling nuts, please consult factory for panel cut-out dimensions.

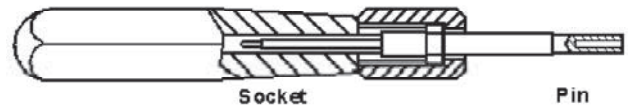
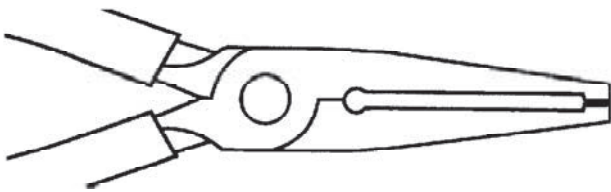
Metric

Imperial

Shell Size	H ctrs.	J dia.	K
10SL	32,55 <b>1.281</b>	22,53 <b>0.887</b>	20,83 <b>0.820</b>
14S	42,05 <b>1.656</b>	28,88 <b>1.137</b>	27,23 <b>1.072</b>
16S	45,15 <b>1.776</b>	32,08 <b>1.263</b>	30,78 <b>1.212</b>
16	45,15 <b>1.776</b>	32,08 <b>1.263</b>	30,78 <b>1.212</b>
18	48,85 <b>1.923</b>	35,23 <b>1.387</b>	33,58 <b>1.322</b>
20	52,05 <b>2.049</b>	38,43 <b>1.513</b>	36,68 <b>1.444</b>
22	55,45 <b>2.183</b>	41,56 <b>1.636</b>	39,88 <b>1.570</b>
24	58,45 <b>2.301</b>	44,78 <b>1.763</b>	43,18 <b>1.700</b>
28	65,25 <b>2.569</b>	51,13 <b>2.013</b>	49,37 <b>1.944</b>
32	71,55 <b>2.817</b>	57,48 <b>2.263</b>	55,78 <b>2.196</b>
36	77,95 <b>3.069</b>	63,83 <b>2.513</b>	62,18 <b>2.448</b>
40	85,25 <b>3.356</b>	70,18 <b>2.763</b>	68,38 <b>2.692</b>

# F80 Crimp Contacts

## Insertion & Extraction Tools Socket Contact Guide Pins



### Insertion Tool

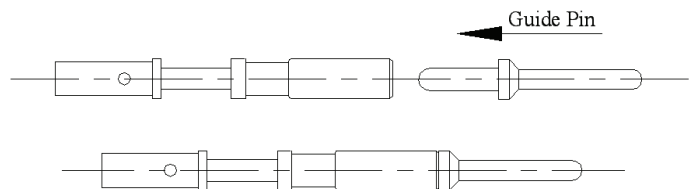
Contact Size AWG (Metric)	Insertion Tool Part Number
16 (16S)	ABB-IT-16
16 (15)	ABB-IT-16
12 (25)	ABB-IT-12
8 (100)	Tool Not Required
4 (160)	
0 (500)	

### Extraction Tool

Socket Contact Size AWG (Metric)	Guide Pin Part Number
16 (16S)	ABB ET 16
16 (15)	ABB ET 16
12 (25)	ABB ET 12
8 (100)	Tool Not Required
4 (160)	
0 (500)	

### Socket Contact Guide Pin

Socket Contact Size AWG (Metric)	Guide Pin Part Number
16 (16S)	ABB-16-SGP
16 (15)	ABB-16-SGP
12 (25)	ABB-12-SGP
8 (100)	Guide Pin Not Required
4 (160)	
0 (500)	



**Note.**  
For full assembly instructions, see  
AB Specification 514.  
Available online at  
[www.ttelectronics.com/ab-connectors](http://www.ttelectronics.com/ab-connectors)



ABCIRH

# F80 Contacts

## Crimp & Tooling Data

Contact Size & Type	Contact Part Number	Wire Size C.S.A. mm <sup>2</sup>	Tool Required	Turret/ Locator	Tool Setting	Tool Pos'n If Applicable	Insertion Tool	Extraction Tool	Guide Pins
16S/20 Pin	ABB16S/20KPKF80	0,5/0,6	FT8/WA27F	ABBTP1249	3	-	ABBIT16	ABBET16	-
16S/20 Skt.	ABB16S/20KSKF80	0,5/0,6	FT8/WA27F	ABBTP1249	3	-	ABBIT16	ABBET16	ABB16SG
16S/18 Pin	ABB16S/18KPKF80	0,75/0,93	FT8/WA27F	ABBTP1249	4	-	ABBIT16	ABBET16	-
16S/18 Skt.	ABB16S/18KSKF80	0,75/0,93	FT8/WA27F	ABBTP1249	4	-	ABBIT16	ABBET16	ABB16SG
16S/14 Pin	ABB16S/14KPKf80	1,94/2,08	FT8/WA27F	ABBTP1249	5	-	ABBIT16	ABBET16	-
16S/14 Skt.	ABB16S/14KSKf80	1,94/2,08	FT8/WA27F	ABBTP1249	5	-	ABBIT16	ABBET16	ABB16SG
16S/12 Pin	ABB16S/12KPKF80	2,50/3,00	FT8/WA27F	ABBTP1249	7	-	ABBIT16	ABBET16	-
16S/12 Skt.	ABB16S/12KSKF80	2,50/3,00	FT8/WA27F	ABBTP1249	7	-	ABBIT16	ABBET16	ABB16SG
16S Pin	ABB16SKPKF80	0,93/1,5	FT8/WA27F	ABBTP1249	5	-	ABBIT16	ABBET16	-
16S Skt.	ABB16SKSKF80	0,93/1,5	FT8/WA27F	ABBTP1249	5	-	ABBIT16	ABBET16	ABB16SG
LIF 16S Skt.	ABB16SKLKF80	0,93/1,5	FT8/WA27F	ABBTP1249	5	-	ABBIT16	ABBET16	ABB16SG
16/22 Pin	ABB16/22KPKF80	0,22/0,34	FT8/WA27F	ABBTH592	2/3	Red	ABBIT16	ABBET16	-
16/22 Skt.	ABB16/22KSKF80	0,22/0,34	FT8/WA27F	ABBTH592	2/3	Blue	ABBIT16	ABBET16	ABB16SG
16/20 Pin	ABB16/20KPKF80	0,5/0,6	FT8/WA27F	ABBTH592	3	Blue	ABBIT16	ABBET16	-
16/20 Skt.	ABB16/20KSKF80	0,5/0,6	FT8/WA27F	ABBTH592	3	Red	ABBIT16	ABBET16	ABB16SG
LIF16/20 Skt.	ABB16/20KPKF80	0,5/0,6	FT8/WA27F	ABBTH592	3	Red	ABBIT16	ABBET16	ABB16SG
16/18 Pin	ABB16/18KPKF80	0,75/0,93	FT8/WA27F	ABBTH592	4	Blue	ABBIT16	ABBET16	-
16/18 Skt.	ABB16/18KSKF80	0,75/0,93	FT8/WA27F	ABBTH592	4	Red	ABBIT16	ABBET16	ABB16SG
16 Pin	ABB16KPKF80	0,93/1,5	FT8/WA27F	ABBTH592	5	Blue	ABBIT16	ABBET16	-
16 Skt.	ABB16KSKF80	0,93/1,5	FT8/WA27F	ABBTH592	5	Red	ABBIT16	ABBET16	ABB16SG
LIF 16 Skt.	ABB16KPKF80	0,93/1,5	FT8/WA27F	ABBTH592	5	Red	ABBIT16	ABBET16	ABB16SG
16/14 Pin	ABB16/14KPKF80	1,94/2,08	FT8/WA27F	ABBTH592	5	Blue	ABBIT16	ABBET16	-
16/14 Skt.	ABB16/14KSKF80	1,94/2,08	FT8/WA27F	ABBTH592	5	Red	ABBIT16	ABBET16	ABB16SG
16/12 Pin	ABB16/12KPKF80	2,50/3,00	FT8/WA27F	ABBTH592	7	Yellow	ABBIT16	ABBET16	-
16/12Skt.	ABB16/12KSKF80	2,50/3,00	FT8/WA27F	ABBTH592	7	Yellow	ABBIT16	ABBET16	ABB16SG
12/20 Pin	ABB12/20KPKF80	0,5/0,6	FT8/WA27F	ABBTH592	3	Yellow	ABBIT12	ABBET12	-
12/20 Skt.	ABB12/20KSKF80	0,5/0,6	FT8/WA27F	ABBTH592	3	Yellow	ABBIT12	ABBET12	ABB12SG
LIF 12/20 Skt.	ABB12/20KPKF80	0,5/0,6	FT8/WA27F	ABBTH592	3	Yellow	ABBIT12	ABBET12	ABB12SG
12/18 Pin	ABB12/18KPKF80	0,75/0,93	FT8/WA27F	ABBTH592	4	Yellow	ABBIT12	ABBET12	-
12/18 Skt.	ABB12/18KSKF80	0,75/0,93	FT8/WA27F	ABBTH592	4	Yellow	ABBIT12	ABBET12	ABB12SG
12/16 Pin	ABB12/16KPKF80	0,93/1,5	FT8/WA27F	ABBTH592	5	Yellow	ABBIT12	ABBET12	-
12/16 Skt.	ABB12/16KSKF80	0,93/1,5	FT8/WA27F	ABBTH592	5	Yellow	ABBIT12	ABBET12	ABB12SG
LIF 12/16 Skt.	ABB12/16KPKF80	0,93/1,5	FT8/WA27F	ABBTH592	5	Yellow	ABBIT12	ABBET12	ABB12SG
12/14 Pin	ABB12/14KPKF80	1,94/2,08	FT8/WA27F	ABBTH592	5	Yellow	ABBIT12	ABBET12	-
12/14 Skt.	ABB12/14KSKF80	1,94/2,08	FT8/WA27F	ABBTH592	5	Yellow	ABBIT12	ABBET12	ABB12SG
12 Pin	ABB12KPKF80	2,50/3,00	FT8/WA27F	ABBTH592	7	Yellow	ABBIT12	ABBET12	-
12 Skt.	ABB12KSKF80	2,50/3,00	FT8/WA27F	ABBTH592	7	Yellow	ABBIT12	ABBET12	ABB12SG
LIF 12 Skt.	ABB12KPKF80	2,50/3,00	FT8/WA27F	ABBTH592	7	Yellow	ABBIT12	ABBET12	ABB12SG
12/10 Pin	ABB12/10KPKF80	5,53	M310	ABBTH592	5	Yellow	ABBIT12	ABBET12	-
12/10 Skt.	ABB12/10KSKF80	5,53	M310	ABBTH592	5	Yellow	ABBIT12	ABBET12	ABB12SG
12/40 Pin	ABB12/40KPKF80	4,0	M310	ABBTH592	5	Yellow	ABBIT12	ABBET12	-
12/40 Skt.	ABB12/40KSKF80	4,0	M310	ABBTH592	5	Yellow	ABBIT12	ABBET12	ABB12SG

# F80 Contacts

## Crimp & Tooling Data Cont.

Contact Size & Type	Contact Part Number	Wire Size C.S.A. mm <sup>2</sup>	Tool Required	Turret/ Locator Or Die Set	Tool Setting	Tool Pos'n If Applicable	Insertion Tool	Extraction Tool	Guide Pins
8/40 Pin	ABB8/40KPKF80	4,0	ABBPL0550A1130	Die Set MRP 31042	-	-	-	-	-
8/40 SkI.	ABB8/40KSKF80	4,0	ABBPL0550A1130	Die Set MRP 31042	-	-	-	-	-
8/12 Pin	ABB8/12KPKF80	2,5	ABBM310	Consult Factory	3	-	-	-	-
8/12 SkI.	ABB8/12KSKF80	2,5	ABBM310	Consult Factory	3	-	-	-	-
8/10 Pin	ABB8/10KPKF80	5,53	ABBPL0550A1130	Die Set MRP 31042	-	-	-	-	-
8/10 SkI.	ABB8/10KSKF80	5,53	ABBPL0550A1130	Die Set MRP 31042	-	-	-	-	-
8 Pin	ABB8KPKF80	9,0	ABBD36	Die Set 02541	-	-	-	-	-
8 SkI.	ABB8KSKF80	9,0	ABBD36	Die Set 02541	-	-	-	-	-
100/60 Pin	ABB100/60KPKF80	6,0	ABBPL0550A1130	Die Set MRP 31038	-	-	-	-	-
100/60 SkI.	ABB100/60KSKF80	6,0	ABBPL0550A1130	Die Set MRP 31038	-	-	-	-	-
100 Pin	ABB100KPKF80	10,0	ABBPL0550A1130	Die Set MRP0925	-	-	-	-	-
100 SkI.	ABB100KSKF80	10,0	ABBPL0550A1130	Die Set MRP0925	-	-	-	-	-
4/10 Pin	ABB4/10KPKF80	5,53	ABBPL0550A1130	Die Set MRP 31042	-	-	-	-	-
4/10 SkI.	ABB4/10KSKF80	5,53	ABBPL0550A1130	Die Set MRP 31042	-	-	-	-	-
4 Pin	ABB4KPKF80	22,0	ABBD36	Die Set 02542	-	-	-	-	-
4 SkI.	ABB4KSKF80	22,0	ABBD36	Die Set 02542	-	-	-	-	-
160 Pin	ABB160KPKF80	16,0	ABBPL0550A1130	Die Set MRP0924	-	-	-	-	-
160 SkI.	ABB160KSKF80	16,0	ABBPL0550A1130	Die Set MRP0924	-	-	-	-	-
0 Pin	ABB0KPKF80	53,0	ABBD36	Die Set 02614	-	-	-	-	-
0 SkI.	ABB0KSKF80	53,0	ABBD36	Die Set 02614	-	-	-	-	-
500/160 Pin	ABB500/160KPKF8	16,0	ABBPL0550A1130	Die Set MRP0924	-	-	-	-	-
500/160 SkI.	ABB500/160KSKF8	16,0	ABBPL0550A1130	Die Set MRP0924	-	-	-	-	-
500/250 Pin	ABB500/250KPKF8	25,0	ABBPL0550A1130	Die Set 31041	-	-	-	-	-
500/250 SkI.	ABB500/250KSKF8	25,0	ABBPL0550A1130	Die Set 31041	-	-	-	-	-
500/350 Pin	ABB500/350KPKF8	35,0	ABBPL0550A1130	Die Set 31038	-	-	-	-	-
500/350 SkI.	ABB500/350KSKF8	35,0	ABBPL0550A1130	Die Set 31038	-	-	-	-	-
500 Pin	AB B500KPKF80	50,0	ABBPL0550A1130	Die Set MRP0925	-	-	-	-	-
500 SkI.	ABB500KSKF80	50,0	ABBPL0550A1130	Die Set MRP0925	-	-	-	-	-

**Note.**

For full assembly instructions, see

AB Specification 514.

Available online at

[www.ttelectronics.com/ab-connectors](http://www.ttelectronics.com/ab-connectors)

ABCIRH

# F80 Coax & Twinax Contacts

## Crimp & Tooling Data

Contact Size & Type	Contact Part Number	Wire Size C.S.A. mm <sup>2</sup>	Contact Section	Tool Required	Turret/ Locator	Tool Setting	Tool Pos'n If Applicable
4 Coax Pin	ABB4CKPKF80P1001	0.5	Inner	ABBFT8	ABBTH619	4	Red
			Screen	ABBPL0550A1130	ABMRP31038	-	-
4 Coax Skt	ABB4CKSKF80P1001	0.5	Inner	ABBFT8	ABBTH619	4	Blue
			Screen	ABBPL0550A1130	ABMRP31038	3	-
4 Coax Pin	ABB4CKPKF80P1002	1.0	Inner	ABBFT8	ABBTH619	4	Red
			Screen	ABBPL0550A1130	ABBHD51150	-	-
4 Coax Skt.	ABB4CKSKF80P1002	1.0	Inner	ABBFT8	ABBTH619	4	Blue
			Screen	ABBPL0550A1130	ABBHD51150	-	-
4 Twinax Pin	ABB4TKPKF80P1	0.5/0.6	Inner	ABBFT8	ABBTH608	4	Red
			Intermediate	ABBHX4	ABBY946	-	-
			Screen	ABBPL0550A1130	ABBHD51150	-	-
4 Twinax Skt	ABB4TKSKF80P1	0.5/0.6	Inner	ABBFT8	ABBTH608	4	Blue
			Intermediate	ABBHX4	ABBY946	-	-
			Screen	ABBPL0550A1130	ABBHD51150	-	-
4 Twinax Pin	ABB4TKPKF80P1001	0.75/1.0	Inner	ABBFT8	ABBTH608	4	Red
			Intermediate	ABBHX4	ABBY946	-	-
			Screen	ABBPL0550A1130	ABBHD51150	-	-
4 Twinax Skt.	ABB4TKSKF80P1001	0.75/1.0	Inner	ABBFT8	ABBTH608	4	Blue
			Intermediate	ABBHX4	ABBY946	-	-
			Screen	ABBPL0550A1130	ABBHD51150	-	-

**Note.**

For full assembly instructions, see

AB Specification 514.

Available online at

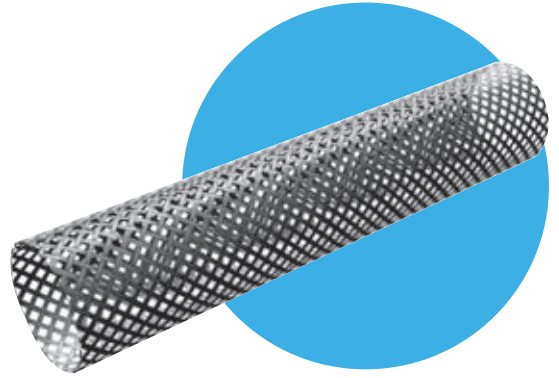
[www.ttabconnectors.com](http://www.ttabconnectors.com)

# ABCIRH

## RFI braid sock, bandit strap & knitmesh braid

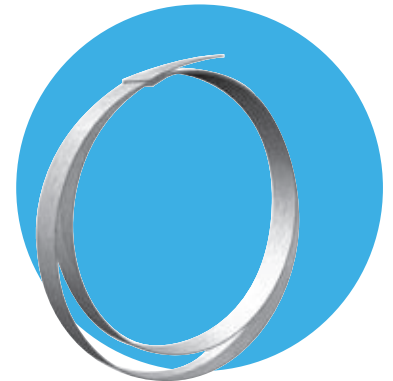
### RFI Braid Sock

AB Connectors Part Number	Diameter	Length	Max Shell Size
ABBMBS020010	ø 20 mm	100 mm	22
ABBMBS025015	ø 25 mm	150 mm	22
ABBMBS035015	ø 35 mm	150 mm	32
ABBMBS050015	ø 50 mm	150 mm	36 & 40



### Bandit Strap

AB Connectors Part Number	Length	Width	Max Shell Size
ABB600052	520 mm	6.1 mm	32
ABB600090	900 mm	6.1 mm	36 & 40
ABB608109	362mm	4 mm	22
ABB600057	207mm	3 mm	22

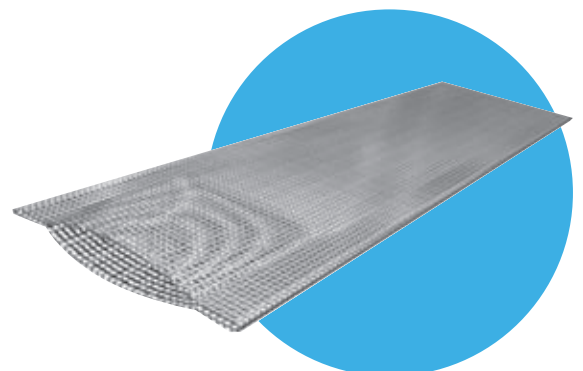


### Bandit Tools

AB Connectors Part Number	Tool Description
ABB600058	Standard Bandit Tool
ABB600061	Micro Bandit Tool (3mm Band Straps)
ABB601200	Calibration Kit

### Knitmesh Braid

AB Connectors Part Number	Length	Width
ABBMKM1050	500 mm	25 mm



ABCIRH

# Product Safety Information

## Safety Information

This information is to be used in conjunction with the Product Catalogue and Product Specification. Products may be safely used in the applications for which they have been designed and within the specified ratings and environments. If products are exposed to conditions outside the performance ratings or specified environments they may constitute a hazard. In particular it should be noted that:

### 1) Material Content of Products

Circular connectors generally use metalwork parts made of copper, copper alloy, aluminium alloy, aluminium - bronze or steel, which, dependant on the particular application, may be passivated and protected with cadmium or zinc plate - in conjunction with chromated or anodised surface finishes. The insulating materials can be either natural or synthetic rubber, together with plastic or glass moulded parts. Contact materials vary with product type but are usually made of copper, copper alloy, nickel, phosphor -bronze, alumel chromel or steel.

### 2) Electric Shock, Burns and Fire

Hazard can occur if the product is used outside the specified parameters or if the product is damaged, wrongly wired or poorly assembled, or poorly integrated into larger equipments, or contaminated with conductive fluids. Live circuit terminations must be protected and live circuits never broken by demating products. Hotspots may be created when resistance is increased due to damage or incorrect integration particularly soldering, crimping or loose terminations. Overheating can cause breakdown of insulation, electric shot, burns or, ultimately, fire. In the event of fire noxious and/or toxic fumes may be released and, in these circumstances, any fire involving the product should be dealt with by personnel properly equipped. Connector products with exposed terminations or contacts should not be used on the current supply side of a circuit with exposed contacts on an unmated product. Before making a circuit live, the product and wiring should be checked to ensure that there is no damage and no electrically conducting debris present. Circuit resistance checks should also be conducted before making the circuit live. Always ensure that the correct tools, (specified by AB Connectors Ltd.) are employed for crimping and assembled and wired by properly trained personnel.

### 3) Disposal or Products

Products should not be burnt.

### 4) Use, Transport and Storage of Products

Care must be taken to avoid damage to any part of the products during transportation, storage or use. The products as manufactured, are free of sharp edges. Abnormal transit or storage conditions and abuse during installation can give rise to damage. Products should not be used in a damaged condition. Improper storage (particularly of damaged products)

can give rise to additional hazards particularly corrosion. Your attention is specifically drawn to the need of proper storage of products containing cadmium and you are advised to see the Guidance Note from the Health and Safety Executive on Cadmium - Health and Safety Precautions.

## Safety Rules

1. Ensure all conductor wires are capable of withstanding the electrical and environmental conditions of the application.
2. Always use the correct assembly tools for cables, contacts and connectors.
3. Make circuit resistance checks before making a circuit live.
4. Always protect live circuits and never demate a live connector.
5. Never use a damaged connector.
6. Never burn discarded connectors or cable.
7. IF IN DOUBT, ASK.

N. B. Additional information on the products and the materials used in them may be obtained from the Sales Department of AB Connectors Ltd.

## Shelf Life for Rubber Components

AB Connectors incorporate a number of rubber components within their connectors. Most rubbers change in physical properties during storage e.g. excessive hardening, softening, cracking or other surface degradation. These changes may be the result of particular factors or a combination of factors such as light, heat, humidity, oils or solvents.

With a few simple precautions the shelf life may be considerably lengthened.

The storage temperature should be between +5° and +25°C. Direct contact with sources of heat such as boilers, radiators and direct sunlight should be avoided. It is advisable to cover any windows of storage rooms with a red or orange coating or screen. The relative humidity in the storeroom should be below 70%. Very moist or very dry conditions should be avoided. Condensation should not occur.

If the above recommendations are adhered to, then AB Connectors would warrant a shelf life of four years for its products.

N. B. The company reserves the right and may change or vary specification without prior written notice.

ABCIRH

# Global Presence

The world's demand for electronics is increasing as new technologies, with a higher dependence on complex components, are being adopted by a broader customer base. This growth provides TT electronics an assured future as we focus on efforts to deliver excellence in customer service and quality products to these markets. From our strong UK base, the company has achieved truly global reach. We have established technical and manufacturing facilities in strategic countries maintaining the successful formula of close liaison with our customers in all major overseas markets.

In addition, through strategic relationships with Original Equipment Manufacturers around the world, we are now in the enviable position where we gain double benefit - from growth in their markets and from the increase in the electronic content of end products.

Information on TT electronics companies can be found by contacting:-

Head Office:

TT Electronics plc  
Fourth Floor, St Andrews House  
West Street  
Woking  
Surrey  
GU21 6EB  
UK

Tel: +44 (0) 1932 825300

Fax: +44 (0) 1932 836450

Email: [info@ttelelectronics.com](mailto:info@ttelelectronics.com)

Web: [www.ttelelectronics.com](http://www.ttelelectronics.com)

## AB Connectors

AB Connectors Limited  
Abercynon,  
Mountain Ash  
Rhondda Cynon Taff  
CF45 4SF, UK.  
Tel: +44(0)1443 740331  
Fax: +44(0)1443 741676  
Internet:  
<http://www.ttelectronics.com/ab-connectors>  
[connectors@ttelectronics.com](mailto:connectors@ttelectronics.com)

**General Note** TT Electronics reserves the right to make changes in product specification without notice or liability. All information is subject to TT Electronics' own data and is considered accurate at time of going to print.

## X-ON Electronics

Largest Supplier of Electrical and Electronic Components

*Click to view similar products for* [Circular MIL Spec Tools, Hardware & Accessories](#) *category:*

*Click to view products by* [TT Electronics](#) *manufacturer:*

Other Similar products are found below :

[0113-201-2025](#) [600-079-06](#) [600-146-06](#) [M10-101982-143](#) [M10-101982-163](#) [M10-101983-183](#) [M10-150912-083](#) [M10-454396-008](#)  
[602GB18808](#) [6134-333-1990](#) [6134-334-1590](#) [6134-334-2190](#) [CS3102A-22-14PW](#) [M2887615-CD](#) [627-009](#) [M38999/9-19B](#)  
[630A007NF083A](#) [630B007M051A](#) [630BJ003NF032H](#) [637-149NF04B](#) [M39029/29-215](#) [6408-203V-09273](#) [6426-201-11343](#) [650FS002NF16](#)  
[660-008NF14S7-01](#) [660-009M22H8-03](#) [660-013NF19U6-210](#) [660-015M10S6-17](#) [660-015NF10S5-01](#) [660-015NF14R3.5-01](#) [660-](#)  
[023NF19H6-19](#) [660-024NF11S12-01](#) [660-024NF11S3-01](#) [660-024NF17S4-109](#) [660-050XM17F4-01](#) [660-068NF25R6-30G](#) [660-070M23S8-](#)  
[04](#) [660-073MTCH9-20](#) [M83723/61-18W](#) [M83723/61-218R](#) [M83723/61-224W](#) [667-084-23C](#) [667-084-35C](#) [667-224NF16](#) [687-697NF-1](#)  
[M85049/94-10-A](#) [M85049/96-7-A](#) [M855282-10A01A](#) [M85528/2-10B](#) [M855282-18A01A](#)