

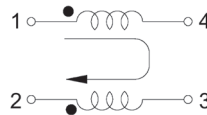
Surface Mount Common Mode Chokes

MODEL HM67

- Operating Temperature Range -40°C to +125°C
- Ambient Temperature, Maximum 85°C
- Temperature Rise, Maximum 40°C
- Dielectric Withstanding Voltage 300Vdc
- R0HS Compliant



Schematics



Specification

Part Number	Terminals	Common Mode Inductance @100 kHz - 0.1 V (1-4 or 2-3) μ H	Inductance Leakage @100 kHz - 0.1 Vrms (1-4) ⁽¹⁾ Typ. μ H	Rated Current mA	DCR ⁽²⁾ Max. (Ω Max))	Marking Code	Figure
HM67-B5R0LF	1-4, 2-3	5.0 \pm 30%	0.08	1000	0.12	A	1
HM67-B110LF	1-4, 2-3	11.0 \pm 30%	0.10	500	0.15	B	1
HM67-S250LF	1-4, 2-3	25.0 \pm 30%	1.60	500	0.18	C	1
HM67-B510LF	1-4, 2-3	51.0 \pm 30%	1.90	500	0.10	D	1
HM67-S510LF	1-4, 2-3	51.0 \pm 30%	2.80	500	0.25	E	1
HM67-B471LF	1-4, 2-3	470.0 \pm 30%	0.80	500	0.28	F	1
HM67-B102(3)LF	1-4, 2-3	1000.0 +50%, -30%	0.16	500	0.30	G	1
HM67-B222(3)LF	1-4, 2-3	2200.0 +50%, -30%	0.16	400	0.42	H	1
HM67-B472(3)LF	1-4, 2-3	4700.0 +50%, -30%	0.24	200	0.67	I	1
HM67-10510LF	1-4, 2-3	51.0 \pm 30% ⁽⁴⁾	2.40 ⁽⁴⁾	200	0.403	0510	2

- Notes: (1) Leakage inductance is measured with pin 2 & 3 shorted.
 (2) DC resistance is measured at 25°C.
 (3) Maximum operating temperature is +85°C.
 (4) Common mode inductance & leakage inductance of HM67-10510LF are measured at 100 kHz, 0.05V

Packaging

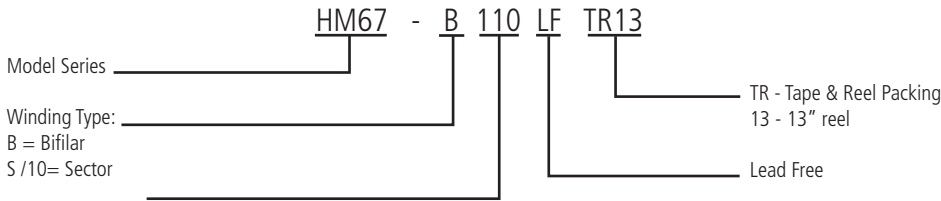
Standard:	Embossed Tape and Reel		
	Reel:	Diameter:	
		Figure 1 & 2	= 13" (330.2mm)
		Capacity:	
Figure 1	= 400 Units		
Figure 2	= 2000 Units		

General Note

TT electronics reserves the right to make changes in product specification without notice or liability.
 All information is subject to TT electronics' own data and is considered accurate at time of going to print.

MODEL HM67

Ordering Information



Inductance Code:

First 2 digits are significant.

Last digit denotes the number of trailing zeros.

For values below 10µH, "R" denotes the decimal point.

Outline Dimensions (Inch/mm)

Figure 1

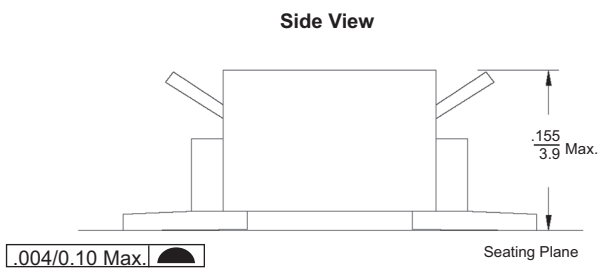
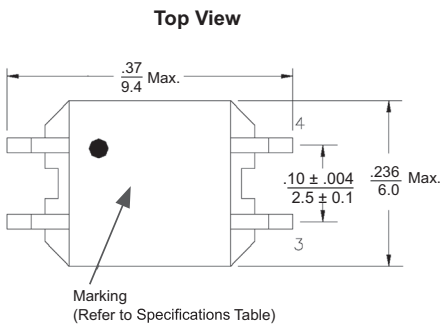
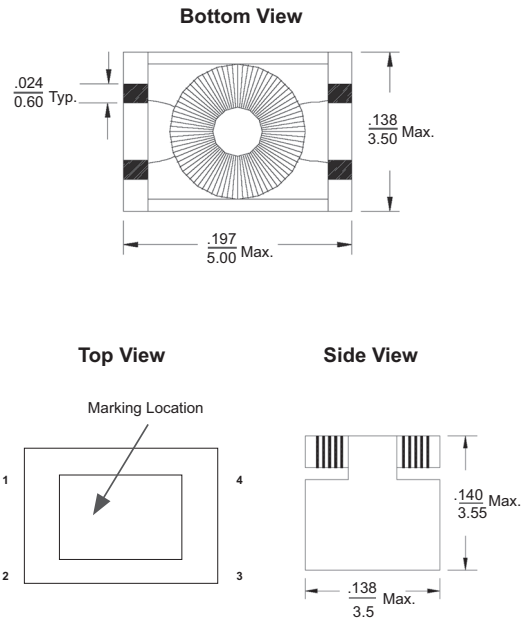
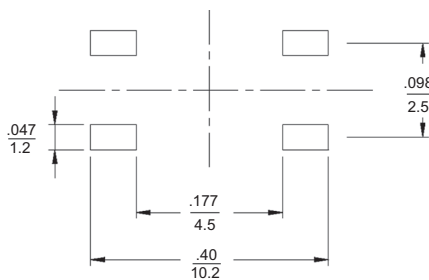


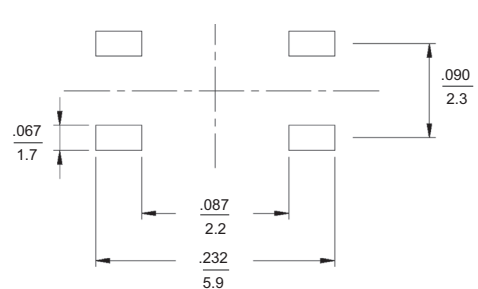
Figure 2



Recommended Solder Pad Layout



Recommended Solder Pad Layout

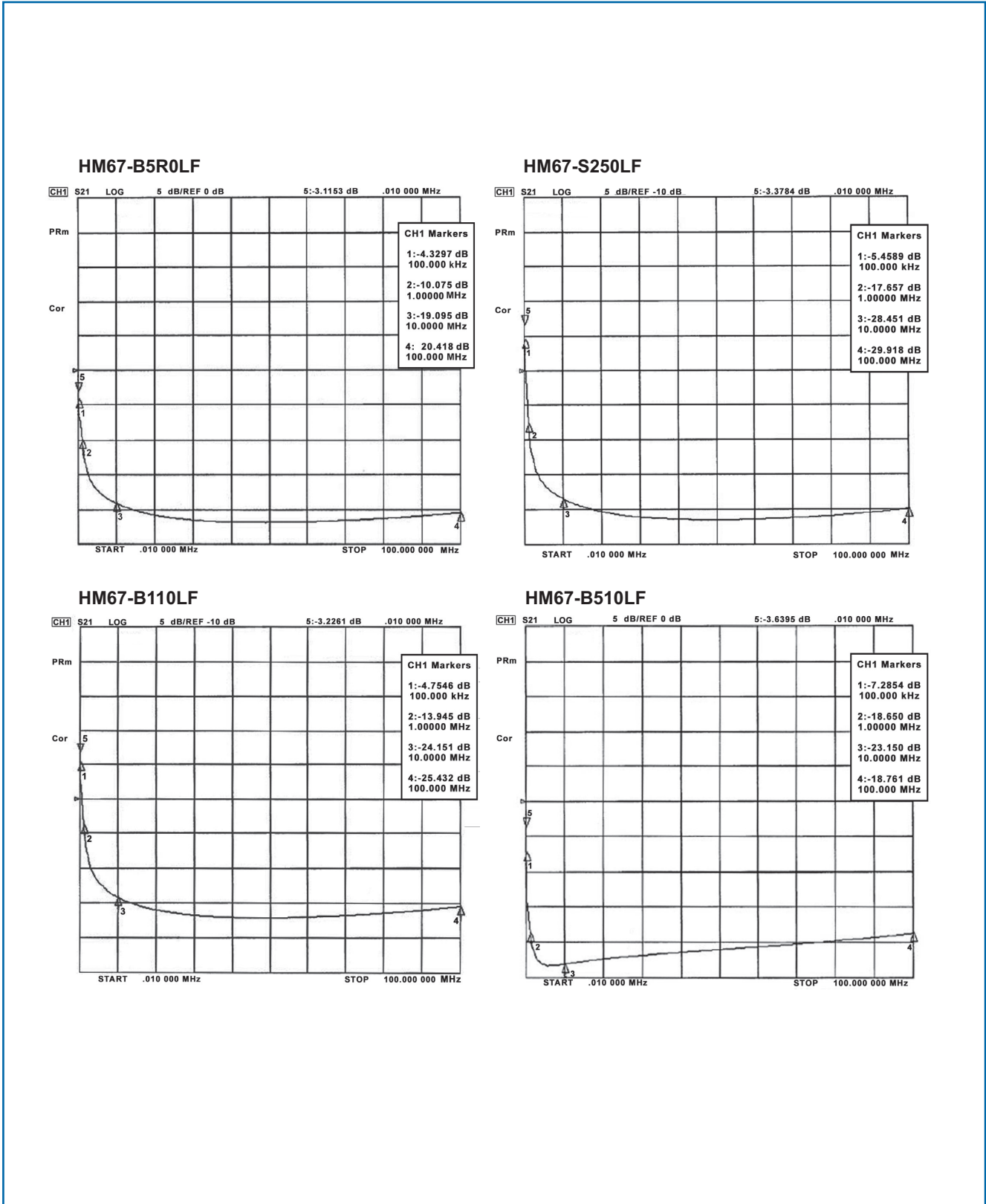


General Note

TT electronics reserves the right to make changes in product specification without notice or liability. All information is subject to TT electronics' own data and is considered accurate at time of going to print.

MODEL HM67

Electrical Characteristics @ 25°C



General Note

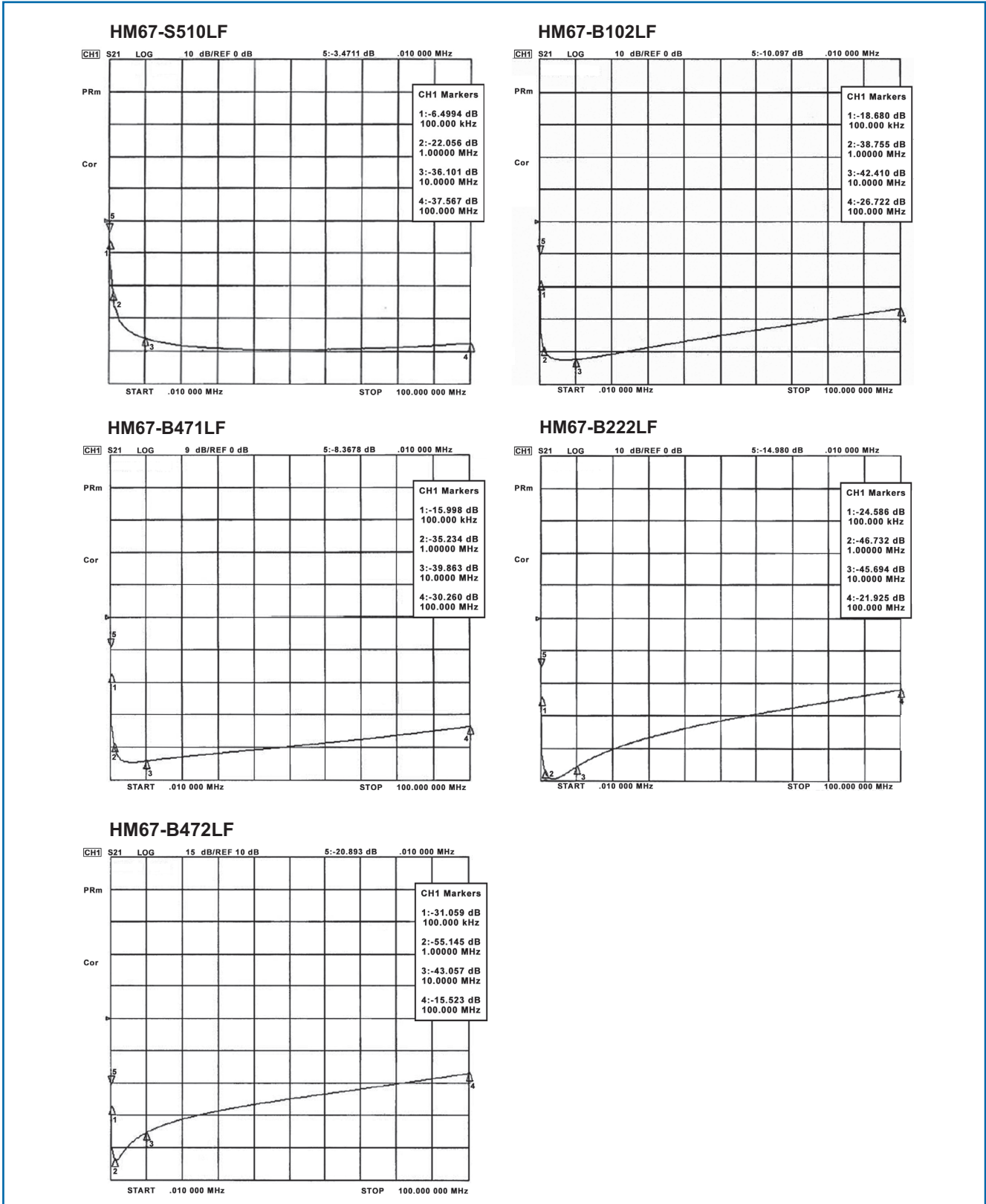
TT electronics reserves the right to make changes in product specification without notice or liability. All information is subject to TT electronics' own data and is considered accurate at time of going to print.



www.bitechtechnologies.com

MODEL HM67

Electrical Characteristics @ 25°C (Continued)



General Note

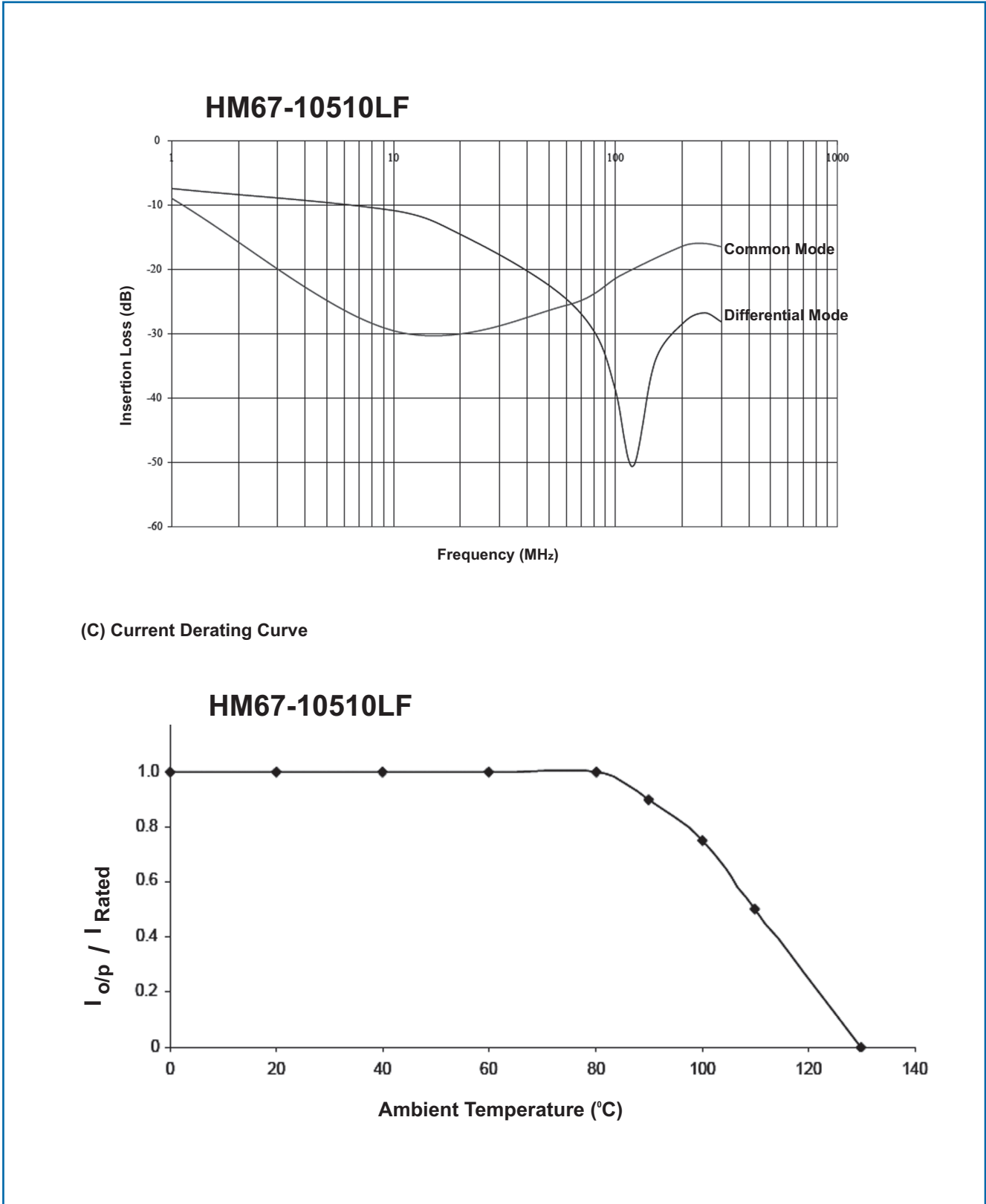
TT electronics reserves the right to make changes in product specification without notice or liability. All information is subject to TT electronics' own data and is considered accurate at time of going to print.



www.bitechnologies.com

MODEL HM67

Electrical Characteristics @ 25°C (Continued)



General Note

TT electronics reserves the right to make changes in product specification without notice or liability. All information is subject to TT electronics' own data and is considered accurate at time of going to print.



www.bitechnologies.com

X-ON Electronics

Largest Supplier of Electrical and Electronic Components

Click to view similar products for [Common Mode Chokes / Filters](#) *category:*

Click to view products by [TT Electronics](#) *manufacturer:*

Other Similar products are found below :

[74279408](#) [PE-62911NL](#) [PE-64683](#) [ST6118T-R](#) [T8114NLT](#) [RD5122-10-6M0](#) [TCM0806G-350-2P-T](#) [TCM0806G-650-2P-T](#) [IND-0110](#)
[UAL21V07012500](#) [UAL21VR0802000](#) [UAL24VR06500CH](#) [UALSC023000000](#) [UALSC1020JH000](#) [UALSC1520JH000](#)
[UALSU10VR20010](#) [UALSU16VD30030](#) [UALSU16VD40010](#) [UALSU9H0305000](#) [UALSU9HF060300](#) [UALSU9VD070100](#) [36-00037](#)
[5701610000](#) [UALW21HS072450](#) [UALSU9VD070400](#) [UALSU9HF050500](#) [UALSU9H0208000](#) [UALSCF25081300](#) [UAL24VK06450CH](#)
[PLT10HH501100PNB](#) [PLT10HH401100PNB](#) [PLT10HH1026R0PNB](#) [PE-67531](#) [EXC-X4CH120X](#) [TLH10UB 113 0R5](#) [2752041447](#)
[2752045447](#) [CMS3-11-R](#) [7351V](#) [CMF16-153131](#) [744252510](#) [T8116NLT](#) [FE2X10-4-2NL](#) [744253200](#) [744253101](#) [744252220](#) [TX8111NLT](#)
[UAL30VR3500470](#) [CTX01-19077-R](#) [T8003NLT](#)