

High Power High Performance Molded Surface Mount Inductors



MODEL HM72E-06

- Operating & Storage Temperature -40°C to +155°C
- Temperature Rise, Maximum 50°C
- Operating Frequency Up to 3MHz



Specifications @ 25°C

| Part Number | Inductance ⁽¹⁾ μH±20% | Heating Current ⁽²⁾ (A _{dc}) | Isat ⁽³⁾ (A _{dc}) | DCR (mΩ) | |
|---------------|-------------------------------------|--|---|----------|-------|
| | | | | Typ. | Max. |
| HM72E-06R10LF | 0.10 | 26.2 | 45.0 | 1.5 | 1.7 |
| HM72E-06R20LF | 0.20 | 20.3 | 34.0 | 2.5 | 2.8 |
| HM72E-06R33LF | 0.33 | 18.0 | 22.0 | 3.2 | 3.9 |
| HM72E-06R47LF | 0.47 | 16.1 | 19.0 | 4.0 | 4.2 |
| HM72E-06R68LF | 0.68 | 14.4 | 16.5 | 5.0 | 5.5 |
| HM72E-061R0LF | 1.00 | 10.3 | 15.0 | 9.0 | 10.0 |
| HM72E-061R5LF | 1.50 | 8.4 | 10.0 | 13.0 | 14.0 |
| HM72E-062R2LF | 2.20 | 8.3 | 8.5 | 18.0 | 20.0 |
| HM72E-063R3LF | 3.30 | 6.6 | 8.0 | 26.5 | 30.0 |
| HM72E-064R7LF | 4.70 | 5.4 | 6.5 | 39.0 | 42.0 |
| HM72E-06330LF | 33.0 | 1.8 | 2.5 | 302.0 | 332.0 |

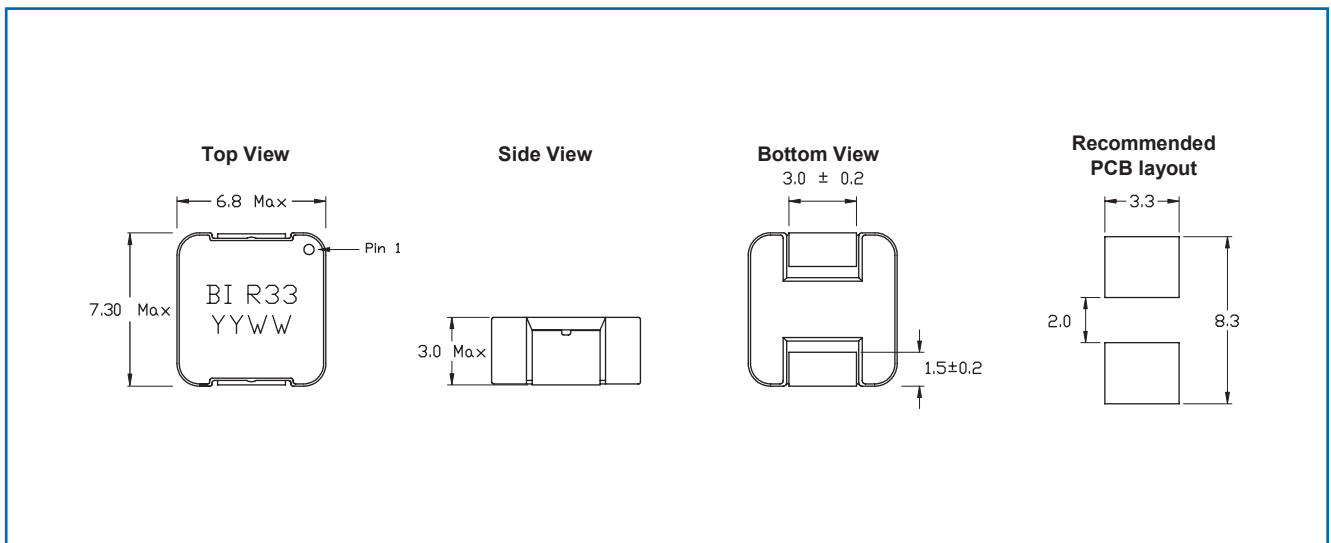
Notes: (1) Inductance is measured at 100 kHz, 0.1Vac without DC current.

(2) The Heating Current is the approximate DC current which causes the component temperature to increase by 50°C. This current is determined by soldering the component on a typical application PCB, and then applying the current to the device for 30 minutes.

(3) The saturation current (Isat) is the approximate current at which the inductance will be decreased by 20% typical from its initial (zero DC) value.

(4) The part temperature (ambient + temperature rise) should not exceed 155°C.

Mechanical Outline Dimensions (mm)



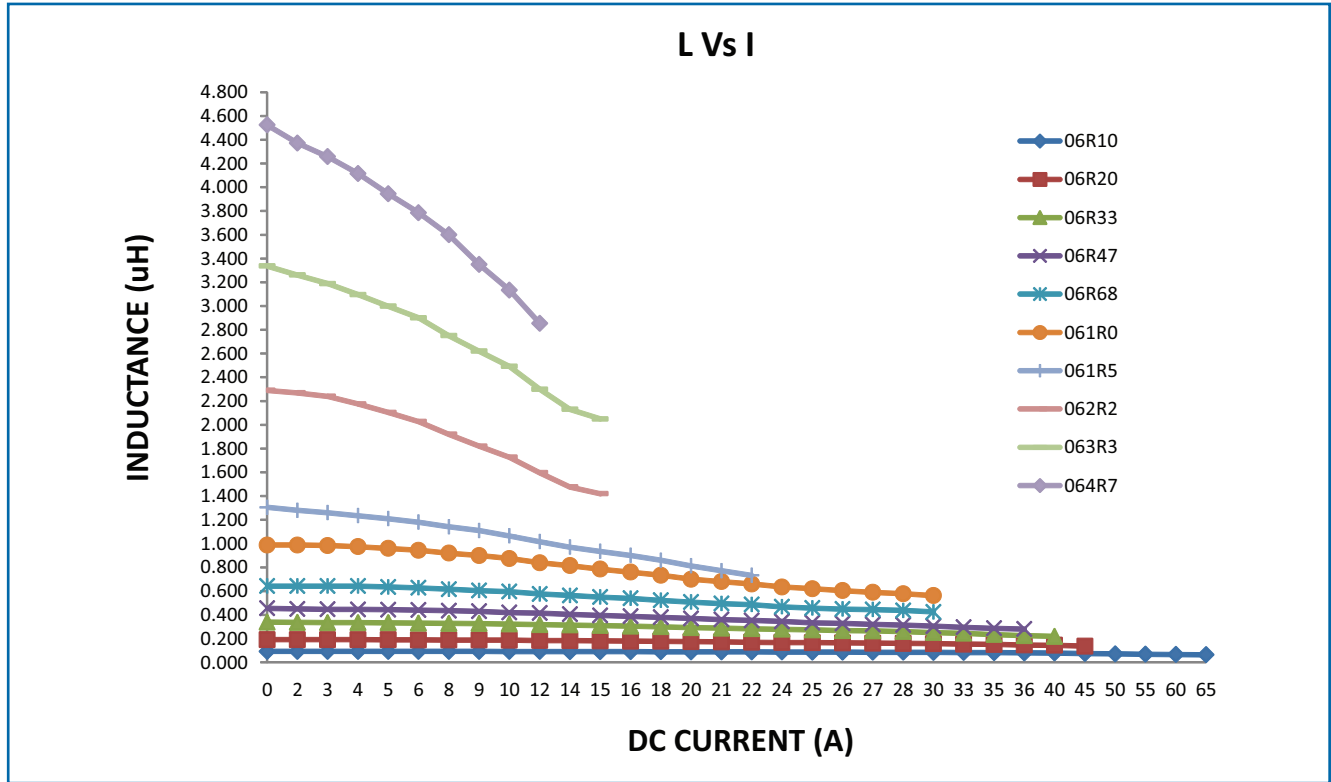
General Note

TT electronics reserves the right to make changes in product specification without notice or liability. All information is subject to TT electronics' own data and is considered accurate at time of going to print.



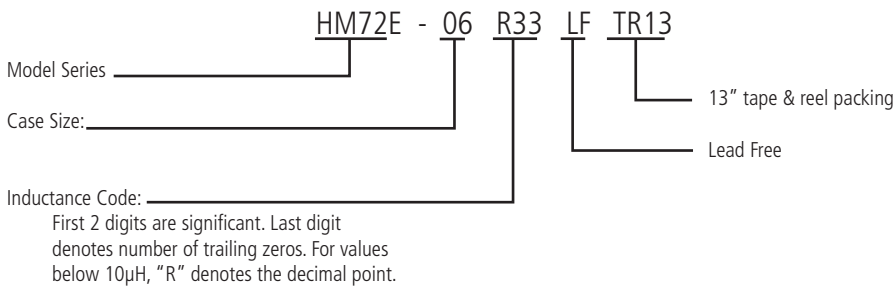
www.bitechnologies.com

Electrical Characteristic @ 25°C



Packing / Ordering Information

| | |
|-------------------------------|-----------|
| One reel (13") | 2000 pcs |
| One shipping carton (6 reels) | 12000 pcs |



General Note

TT electronics reserves the right to make changes in product specification without notice or liability. All information is subject to TT electronics' own data and is considered accurate at time of going to print.

X-ON Electronics

Largest Supplier of Electrical and Electronic Components

Click to view similar products for [Fixed Inductors](#) category:

Click to view products by [TT Electronics](#) manufacturer:

Other Similar products are found below :

[CR43NP-680KC](#) [CR54NP-820KC](#) [CR54NP-8R5MC](#) [CTX32CT-100](#) [70F224AI](#) [MGDQ4-00004-P](#) [MHL1ECTTP18NJ](#) [MHL1JCTTD12NJ](#)
[PE-51506NL](#) [PE-53601NL](#) [PE-53602NL](#) [PE-53630NL](#) [PE-53824SNLT](#) [PE-62892NL](#) [PE-92100NL](#) [PG0434.801NLT](#) [PG0936.113NLT](#)
[9310-16](#) [PM06-2N7](#) [PM06-39NJ](#) [A01TK](#) [1206CS-471XJ](#) [HC2-2R2TR](#) [HC2LP-R47-R](#) [HC3-2R2-R](#) [1206CS-151XG](#) [RCH664NP-140L](#)
[RCH664NP-4R7M](#) [RCH8011NP-221L](#) [RCP1317NP-332L](#) [RCP1317NP-391L](#) [RCR1010NP-470M](#) [RCR110DNP-331L](#) [DH2280-4R7M](#)
[DS1608C-106](#) [ASPI-4020HI-R10M-T](#) [B10TJ](#) [B82477P4333M](#) [B82498B3101J000](#) [B82498B3680J000](#) [ELJ-RE27NJF2](#) [1812CS-153XJ](#)
[1812CS-183XJ](#) [1812CS-223XJ](#) [1812LS-104XJ](#) [1812LS-105XJ](#) [1812LS-124XJ](#) [1812LS-154XJ](#) [1812LS-223XJ](#) [1812LS-224XJ](#)