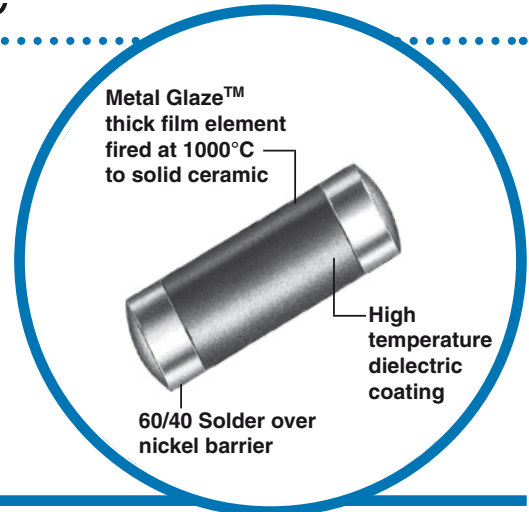


High Surge Film Surface Mount Metal Glaze™

HSF Series

- 1 Watt and 1/2 Watt power rating
- 150°C maximum operating temperature
- RoHS - compatible components available
- Up to triple the surge rating of the rugged CHP1
- Replaces costly surface-mount wirewound resistors



Electrical Data

Industry Footprint	IRC Type	Maximum Power Rating	Working Voltage	Maximum Voltage	Resistance Range (Ω)	Tolerance (±%)	TCR (ppm/°C)	Product Category
2010	HSF-1/2	1/2W @ 70°C	300	700	*	10	±200	High Surge
2512	HSF-1	1W @ 70°C	350	*	*	10	±200	High Surge

Note*: Consult factory for available resistance values and maximum voltage.

Environmental Data

Characteristics	Maximum Change	Test Method
Temperature Coefficient	As specified	MIL-R-55342H Par 4.7.9 (-55°C +125°C)
Thermal Shock	±0.5% +0.01 ohm	MIL-R-55342H Par 4.7.3 (-65°C +150°C, 5 cycles)
Low Temperature Operation	±0.25% +0.01 ohm	MIL-R-55342H Par 4.7.4 (-65°C @ working voltage)
Short Time Overload	±0.5% +0.01 ohm	MIL-R-55342H Par 4.7.5 $2.5 \times \sqrt{P \times R}$ for 5 seconds
High Temperature Exposure	±0.5% +0.01 ohm	MIL-R-55342H Par 4.7.6 (+150°C for 100 hours)
Resistance to Bonding Exposure	±0.25% +0.01 ohm	MIL-R-55342H Par 4.7.7 (reflow soldered to board at 260°C for 10 seconds)
Solderability	95% min. coverage	MIL-STD-202, Method 208 (245°C for 5 seconds)
Moisture Resistance	±0.5% +0.01 ohm	MIL-R-55342H Par 4.7.8 (10 cycles, total 240 hours)
Life Test	±0.5% +0.01 ohm	MIL-R-55342H Par 4.7.10 (2000 hours at 70°C intermittent)
Terminal Adhesion Strength	±1% +0.01 ohm no mechanical damage	1200 gram push from underside of mounted chip for 60 seconds
Resistance to Board bending	±1% +0.01 ohm no mechanical damage	Chip mounted in center of 90mm long board, deflected 5mm so as to exert pull on chip contacts for 10 seconds

General Note

TT electronics reserves the right to make changes in product specification without notice or liability. All information is subject to TT electronics' own data and is considered accurate at time of going to print.

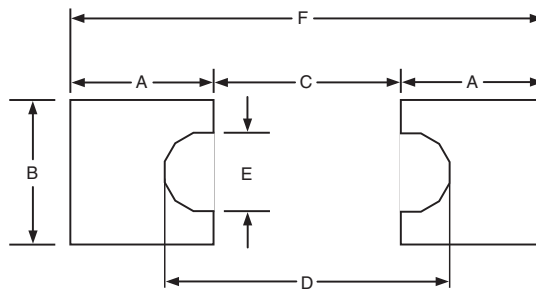
Physical Data



Dimensions (Inches and (mm))

Industry Footprint	IRC Type	L (Length)	W (Width/Diameter)	C (Termination Width)
2010	HSF-1/2	0.200 ± 0.010 (5.08 ± 0.25)	0.079 ± 0.006 (2.01 ± 0.15)	0.030 ± 0.010 (0.761 ± 0.25)
2512	HSF-1	0.251 ± 0.010 (6.38 ± 0.25)	0.079 ± 0.006 (2.01 ± 0.15)	0.040 ± 0.010 (1.02 ± 0.25)
3612	HSF-2	0.367 ± 0.010 (9.32 ± 0.25)	0.105 ± 0.006 (2.67 ± 0.15)	0.050 ± 0.010 (1.27 ± 0.25)

Recommended Solder Pad Dimensions (Reflow):



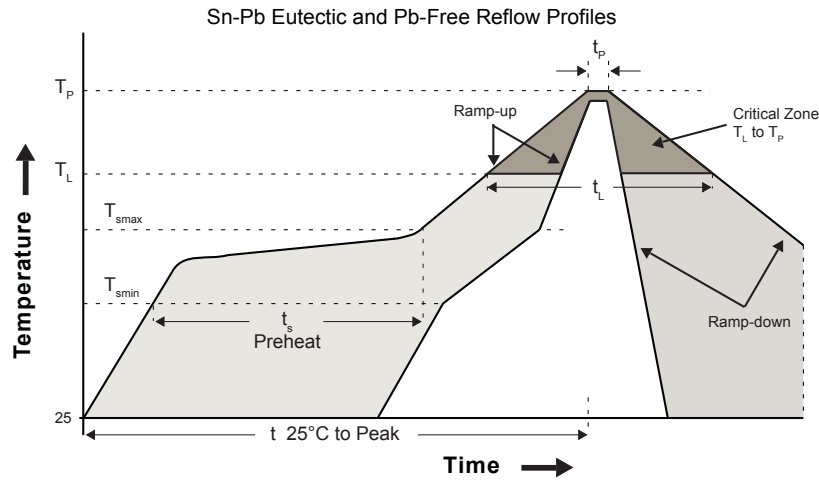
Dimensions (Inches and (mm))

Industry Footprint	Dimensions (Inches and (mm))					
	A	B	C	D	E	F
HSF 1/2 2010	0.111 (1.93)	0.126 (2.36)	0.096 (1.47)	0.152 (2.49)	0.040 (0.81)	0.211 (5.36)
HSF 1 2512	0.121 (3.07)	0.126 (3.20)	0.127 (3.23)	0.183 (4.65)	0.040 (1.02)	0.369 (9.37)
HSF 2 3610	0.17 (4.32)	0.16 (4.06)	0.213 (5.41)	0.273 (6.93)	0.044 (1.12)	0.553 (14.05)

General Note

TT electronics reserves the right to make changes in product specification without notice or liability. All information is subject to TT electronics' own data and is considered accurate at time of going to print.

IRC Solder Reflow Recommendations



* Based on Industry Standards and IPC recommendations

Profile Feature	Sn-Pb Eutectic Assembly	Pb-Free Assembly
Average Ramp-up rate (T_{smax} to T_p)	3°C / second max.	3°C / second max.
Preheat - Temperature Min (T_{smin}) - Temperature Max (T_{smax}) - Time (T_{smin} to T_{smax}) (t_s)	100°C 150°C 60 - 120 seconds	150°C 200°C 60 - 180 seconds
Time maintained above - Temperature (T_L) - Time (t_L)	183°C 60 - 150 seconds	217°C 60 - 150 seconds
Peak Temperature (T_p)	See Table 1	See Table 2
Time within 5°C of actual Peak Temperature (t_p) ²	10 - 30 seconds	20 - 40 seconds
Ramp-down Rate	6°C / second max.	6°C / second max.
Time 25°C to Peak Temperature	6 minutes max.	8 minutes max.

Note 1: All temperatures refer to topside of the package, measured on the package body surface.

Note 2: Time within 5 °C of actual peak temperature (t_p) specified for the reflow profiles is a “supplier” minimum and a “user” maximum.

Tabel 1: SnPb Eutectic Process - Package Peak Reflow Temperatures		
Package Thickness	Volume mm ³ < 350	Volume mm ³ ≥ 350
< 2.5 mm	240 +0/-5°C	225 +0/-5°C
≥ 2.5 mm	225 +0/-5°C	225 +0/-5°C

Note 1: Package volume excludes external terminals (balls, bumps, lands, leads) and/or non-integral heat sinks.

Tabel 2: Pb-free Process - Package Peak Reflow Temperatures			
Package Thickness	Volume mm ³ < 350	Volume mm ³ 350 - 2000	Volume mm ³ > 2000
< 1.6 mm	260°C *	260°C *	260°C *
1.6 mm - 2.5 mm	260°C *	250°C *	245°C *
≥ 2.5 mm	250°C *	245°C *	245°C *

Note 2: The maximum component temperature reached during reflow depends on package thickness and volume. The use of convection reflow processes reduces the thermal gradients between packages. However, thermal gradients due to differences in thermal mass of SMD packages may still exist.

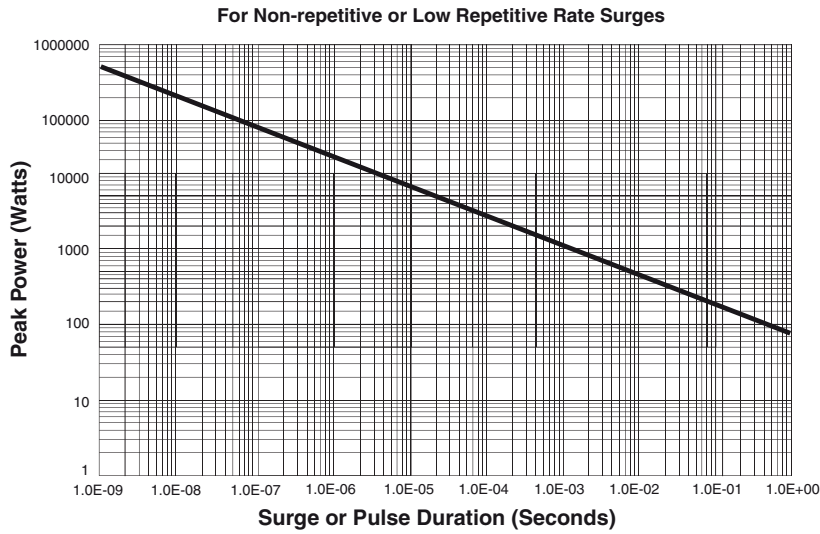
Note 3: Components intended for use in “lead-free” assembly process shall be evaluated using the “lead-free” peak temperature and profiles defined in Table 1, 2 and reflow profile whether or not lead-free.

* Tolerance: The device manufacturer/supplier shall assure process compatibility up to and including the stated classification temperature at the rated MSL level.

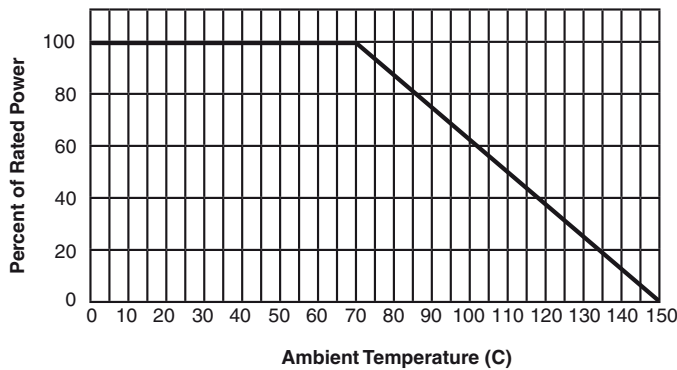
General Note

TT electronics reserves the right to make changes in product specification without notice or liability. All information is subject to TT electronics’ own data and is considered accurate at time of going to print.

Surge Capability Data



Power Derating Curve



Note: Use for low repetitive pulses where the average power dissipation is not to exceed the component rating at 70°C. Surge handling capacity for low-repetitive surges may be significantly greater than shown above. Contact factory

Ordering Data

Sample Part No.....	HSF-1	100	11R0	K	LF	13
IRC Type	HSF-1/2 or HSF-1					
Temperature Coefficient	50 = ±50ppm/°C; 100 = ±100ppm/°C					
Resistance Value	Standard 4-digit resistance code. Consult factory for available values.					
Tolerance	K = 10%					
Lead-Free Construction						
Packaging Code	BLK = Bulk, 7 = 7" Reel, 13 = 13" Reel					

General Note

TT electronics reserves the right to make changes in product specification without notice or liability. All information is subject to TT electronics' own data and is considered accurate at time of going to print.

X-ON Electronics

Largest Supplier of Electrical and Electronic Components

Click to view similar products for [MELF Resistors](#) category:

Click to view products by [TT Electronics](#) manufacturer:

Other Similar products are found below :

[1-21002-2](#) [CMB02070X1209JB200](#) [3-2176315-8](#) [4-2176315-4](#) [4-2176315-8](#) [4-2176316-8](#) [5-2176315-1](#) [5-2176315-2](#) [5-2176315-6](#) [5-2176315-8](#) [5-2176316-0](#) [6-2176315-1](#) [6-2176315-9](#) [1-2176315-3](#) [2176315-1](#) [2176317-2](#) [2176317-3](#) [2176317-6](#) [7-2176315-5](#) [7-2176316-1](#) [7-2176316-4](#) [8-2176315-8](#) [8-2176316-5](#) [9-2176316-0](#) [9-2176316-3](#) [SMA-A0102BTNL100R](#) [SMA-A0102BTNL10K](#) [SMA-A0102BTNL12K](#) [SMA-A0102BTNL150R](#) [SMA-A0102BTNL15K](#) [SMA-A0102BTNL180R](#) [SMA-A0102BTNL1K0](#) [SMA-A0102BTNL1K5](#) [SMA-A0102BTNL1K8](#) [SMA-A0102BTNL220R](#) [SMA-A0102BTNL22K](#) [SMA-A0102BTNL27K](#) [SMA-A0102BTNL2K2](#) [SMA-A0102BTNL2K7](#) [SMA-A0102BTNL330R](#) [SMA-A0102BTNL33K](#) [SMA-A0102BTNL39K](#) [SMA-A0102BTNL3K3](#) [SMA-A0102BTNL470R](#) [SMA-A0102BTNL47K](#) [SMA-A0102BTNL4K7](#) [SMA-A0102BTNL560R](#) [SMA-A0102BTNL56K](#) [SMA-A0102BTNL820R](#) [SMA-A0102FTDL12K](#)