

# Hi-Reliability Optically Coupled Isolator

JAN/JANTX/JANTXV 4N47, 4N48, 4N49 [A]



## Features:

- TO-78 hermetically sealed package
- High current transfer ratio
- 1 kV electrical isolation
- Base contact provided for conventional transistor biasing
- JAN, JANTX and JANTXV devices processed to MIL-PRF-19500
- Patent No. 4124860

## Description:

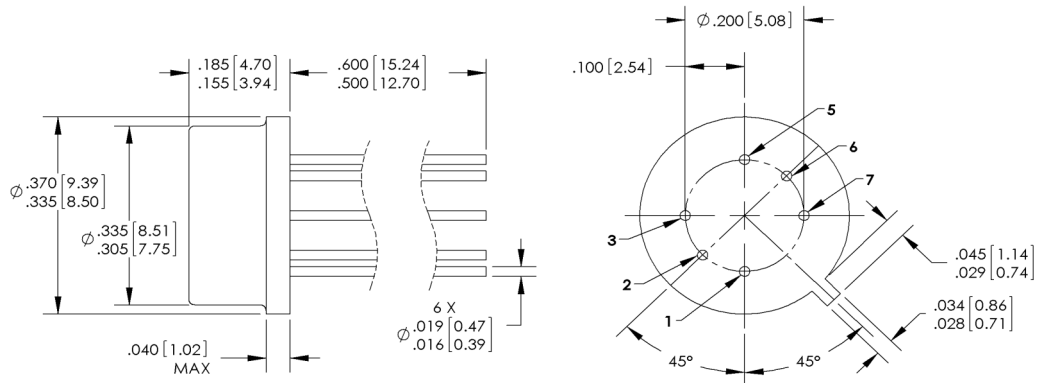
Each isolator in this series consists of an infrared emitting diode and a NPN silicon phototransistor, which are mounted in a hermetically sealed TO-78 package. Devices are designed for military and/or harsh environments. The suffix letter "A" denotes the collector is electrically isolated from the case.

The JAN / JANTX / JANTXV 4N47, 4N47A, 4N48, 4N48A, 4N49, and 4N49A devices are processed to MIL-PRF-19500/548. This series of 4N products are JEDEC registered, DSCC qualified.

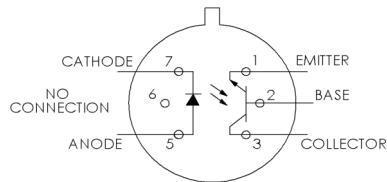
Please contact your local representative for more information.

## Applications:

- High-voltage isolation between input and output
- Electrical isolation in dirty environments
- Industrial equipment
- Medical equipment
- Office equipment



DIMENSIONS ARE IN INCHES [MIM]



**BOTTOM VIEW**

Pin #	Function	Pin #	Function
3	Collector	5	Anode
2	Base	6	Open
1	Emitter	7	Cathode

## General Note

TT Electronics reserves the right to make changes in product specification without notice or liability. All information is subject to TT Electronics' own data and is considered accurate at time of going to print.

TT Electronics | OPTEK Technology  
 1645 Wallace Drive, Carrollton, TX 75006 | Ph: +1 972 323 2200  
[www.ttelectronics.com](http://www.ttelectronics.com) | [sensors@ttelectronics.com](mailto:sensors@ttelectronics.com)

# Hi-Reliability Optically Coupled Isolator

JAN/JANTX/JANTXV 4N47, 4N48, 4N49 [A]



## Electrical Specifications

### Absolute Maximum Ratings (T<sub>A</sub> = 25° C unless otherwise noted)

Storage Temperature Range	-55° C to +150° C
Operating Temperature Range	-55° C to +125° C
Input-to-Output Isolation Voltage	± 1.00 kVDC <sup>(1)</sup>
Lead Soldering Temperature [1/16 inch (1.6 mm) from case for 5 seconds with soldering iron]	260° C <sup>(2)</sup>

### Input Diode

Forward DC Current (65° C or below)	40 mA
Reverse Voltage	2 V
Power Dissipation	60 mW <sup>(3)</sup>

### Output Phototransistor:

Continuous Collector Current	50 mA
Collector-Emitter Voltage	40 V
Collector-Base Voltage	45 V
Emitter-Base Voltage	7.0 V
Power Dissipation	300 mW <sup>(4)</sup>

#### Notes:

1. Measured with input leads shorted together and output leads shorted together.
2. RMA flux is recommended. Duration can be extended to 10 seconds maximum when flow soldering.
3. Derate linearly 1.0 mW/° C above 65° C.
4. Derate linearly 3.0 mW/° C above 25° C.

Ordering Information				
Part Number	Isolation Voltage (kV)	I <sub>F</sub> (mA) Typ / Max	V <sub>CE</sub> (Volts) Max	Processing MIL-PRF-195000
JAN4N47 or JAN4N47A	1	1 / 40	40	548
JANTX4N47 or JANTX4N47A				
JANTXV4N47 or JANTXV4N47A				
JAN4N48 or JAN4N48A				
JANTX4N48 or JANTX4N48A				
JANTXV4N48 or JANTXV4N48A				
JAN4N49 or JAN4N49A				
JANTX4N49 or JANTX4N49A				
JANTXV4N49 or JANTXV4N49A				

#### General Note

TT Electronics reserves the right to make changes in product specification without notice or liability. All information is subject to TT Electronics' own data and is considered accurate at time of going to print.

TT Electronics | OPTEK Technology  
1645 Wallace Drive, Carrollton, TX 75006 | Ph: +1 972 323 2200  
www.ttelectronics.com | sensors@ttelectronics.com

# Hi-Reliability Optically Coupled Isolator

JAN/JANTX/JANTXV 4N47, 4N48, 4N49 [A]



## Electrical Characteristics (T<sub>A</sub> = 25°C unless otherwise noted)

SYMBOL	PARAMETER	MIN	TYP	MAX	UNITS	TEST CONDITIONS
--------	-----------	-----	-----	-----	-------	-----------------

### Input Diode

V <sub>F</sub>	Forward Voltage	0.80 1.00 0.70	- - -	1.50 1.70 1.30	V	I <sub>F</sub> = 10.0 mA I <sub>F</sub> = 10.0 mA, T <sub>A</sub> = -55° C <sup>(1)</sup> I <sub>F</sub> = 10.0 mA, T <sub>A</sub> = 100° C <sup>(1)</sup>
I <sub>R</sub>	Reverse Current	-	-	100	μA	V <sub>R</sub> = 2.0 V

### Output Phototransistor

V <sub>(BR)CEO</sub>	Collector-Emitter Breakdown Voltage	40	-	-	V	I <sub>C</sub> = 1.0 mA, I <sub>B</sub> = 0, I <sub>F</sub> = 0
V <sub>(BR)CBO</sub>	Collector-Base Breakdown Voltage	45	-	-	V	I <sub>C</sub> = 100 μA, I <sub>B</sub> = 0, I <sub>F</sub> = 0
V <sub>(BR)EBO</sub>	Emitter-Base Breakdown Voltage	7	-	-	V	I <sub>E</sub> = 100 μA, I <sub>C</sub> = 0, I <sub>F</sub> = 0
I <sub>C(OFF)</sub> <sup>1</sup>	Collector-Emitter Dark Current	-	-	100	nA	V <sub>CE</sub> = 20 V, I <sub>B</sub> = 0, I <sub>F</sub> = 0
I <sub>C(OFF)</sub> <sup>2</sup>	Collector-Emitter Dark Current	-	-	100	μA	V <sub>CE</sub> = 20 V, I <sub>B</sub> = 0, I <sub>F</sub> = 0, T <sub>A</sub> = 100° C <sup>(1)</sup>
I <sub>CB(OFF)</sub>	Collector-Base Dark Current	-	-	10	nA	V <sub>CB</sub> = 20 V, I <sub>E</sub> = 0, I <sub>F</sub> = 0

### Coupled

I <sub>C(ON)</sub>	On-State Collector Current JAN / JANTX / JANTXV 4N47 [A]	0.50 0.70 0.50	- - -	- - -	mA	I <sub>F</sub> = 1.0 mA, V <sub>CE</sub> = 5.0 V, I <sub>B</sub> = 0 I <sub>F</sub> = 2.0 mA, V <sub>CE</sub> = 5.0 V, I <sub>B</sub> = 0, T <sub>A</sub> = -55° C <sup>(1)</sup> I <sub>F</sub> = 2.0 mA, V <sub>CE</sub> = 5.0 V, I <sub>B</sub> = 0, T <sub>A</sub> = 100° C <sup>(1)</sup>
	JAN / JANTX / JANTXV 4N48 [A]	1.00 1.40 1.00	- - -	5 - -		I <sub>F</sub> = 1.0 mA, V <sub>CE</sub> = 5.0 V, I <sub>B</sub> = 0 I <sub>F</sub> = 2.0 mA, V <sub>CE</sub> = 5.0 V, I <sub>B</sub> = 0, T <sub>A</sub> = -55° C <sup>(1)</sup> I <sub>F</sub> = 2.0 mA, V <sub>CE</sub> = 5.0 V, I <sub>B</sub> = 0, T <sub>A</sub> = 100° C <sup>(1)</sup>
	JAN / JANTX / JANTXV 4N49 [A]	2.00 2.80 2.00	- - -	10 - -		I <sub>F</sub> = 1.0 mA, V <sub>CE</sub> = 5.0 V, I <sub>B</sub> = 0 I <sub>F</sub> = 2.0 mA, V <sub>CE</sub> = 5.0 V, I <sub>B</sub> = 0, T <sub>A</sub> = -55° C <sup>(1)</sup> I <sub>F</sub> = 2.0 mA, V <sub>CE</sub> = 5.0 V, I <sub>B</sub> = 0, T <sub>A</sub> = 100° C <sup>(1)</sup>
I <sub>CB(ON)</sub>	On-State Collector Base	30	-	-	μA	V <sub>CB</sub> = 5 V, I <sub>E</sub> = 0, I <sub>F</sub> = 10 mA
V <sub>CE(SAT)</sub>	Collector-Emitter Saturation Voltage JAN / JANTX / JANTXV 4N47 [A]	-	-	0.30	V	I <sub>F</sub> = 2.0 mA, I <sub>C</sub> = 0.5 mA, I <sub>B</sub> = 0
	JAN / JANTX / JANTXV 4N48 [A]	-	-	0.30		I <sub>F</sub> = 2.0 mA, I <sub>C</sub> = 1.0 mA, I <sub>B</sub> = 0
	JAN / JANTX / JANTXV 4N49 [A]	-	-	0.30		I <sub>F</sub> = 2.0 mA, I <sub>C</sub> = 2.0 mA, I <sub>B</sub> = 0
H <sub>FE</sub>	DC Current Gain	100	-	-	V	V <sub>CE</sub> = 5.0 V, I <sub>C</sub> = 10.0 mA, I <sub>F</sub> = 0 mA
R <sub>IO</sub>	Resistance (Input-to-Output)	10 <sup>11</sup>	-	-	Ω	V <sub>I-O</sub> = ± 1000 VDC <sup>(3)</sup>
C <sub>IO</sub>	Capacitance (Input-to-Output)	-	-	5	pF	V <sub>I-O</sub> = 0 V, f = 1.0 MHz <sup>(3)</sup>
T <sub>R</sub> , T <sub>F</sub>	Rise and Fall Time	-	-	20	μs	V <sub>CC</sub> = 10.0 V, I <sub>F</sub> = 5.0 mA, R <sub>L</sub> = 100 Ω

#### Notes:

1. Guaranteed but not tested.
2. Sample tested, LTPD = 10.
3. Measured with input leads shorted together and output leads shorted together.

#### General Note

TT Electronics reserves the right to make changes in product specification without notice or liability. All information is subject to TT Electronics' own data and is considered accurate at time of going to print.

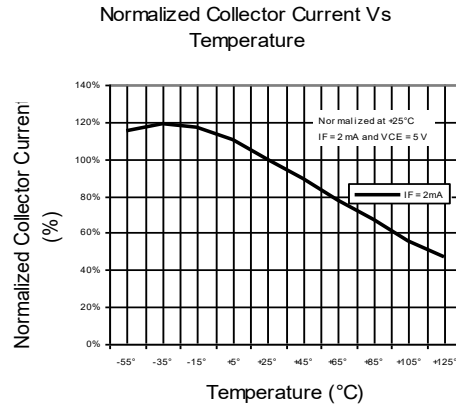
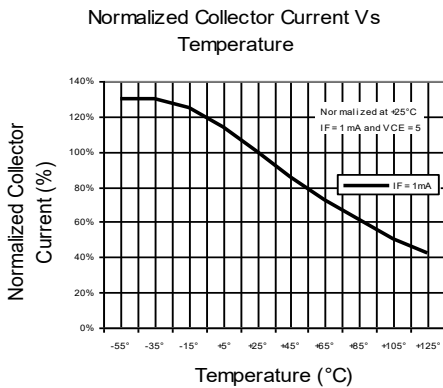
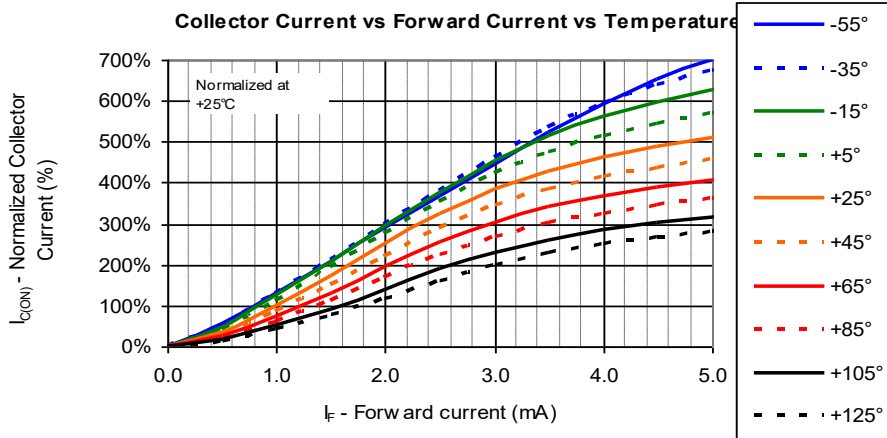
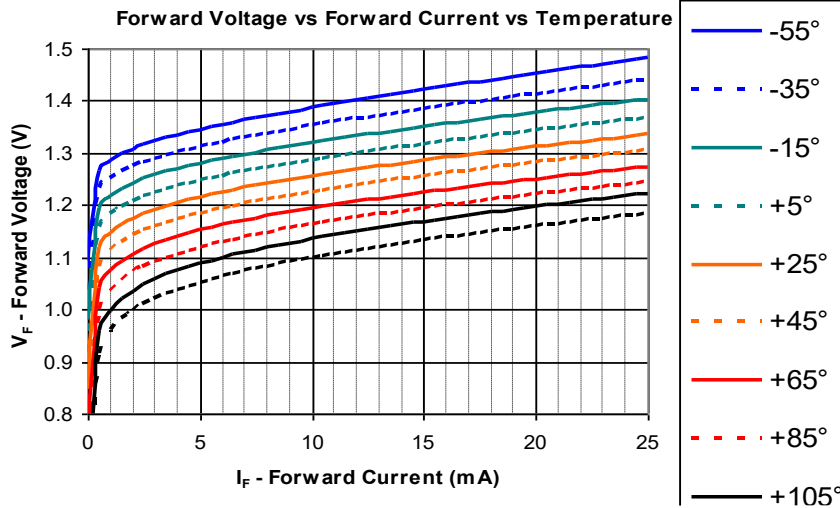
TT Electronics | OPTEK Technology  
1645 Wallace Drive, Carrollton, TX 75006 | Ph: +1 972 323 2200  
www.ttelectronics.com | sensors@ttelectronics.com

# Hi-Reliability Optically Coupled Isolator

JAN/JANTX/JANTXV 4N47, 4N48, 4N49 [A]



## Typical Performance Curves



### General Note

TT Electronics reserves the right to make changes in product specification without notice or liability. All information is subject to TT Electronics' own data and is considered accurate at time of going to print.

## X-ON Electronics

Largest Supplier of Electrical and Electronic Components

*Click to view similar products for [Transistor Output Optocouplers](#) category:*

*Click to view products by [TT Electronics](#) manufacturer:*

Other Similar products are found below :

[LTV-814S-TA](#) [LTV-824HS](#) [66095-001](#) [6N136-X017T](#) [MCT6-X007](#) [MOC8101-X017T](#) [PS2561A-1-W-A](#) [PS2561B-1-L-A](#) [PS2561L-1-V-A](#)  
[MRF658](#) [IL755-1X007](#) [ILD2-X006](#) [ILD74-X001](#) [ILQ615-2X017](#) [ILQ615-3X016](#) [LDA102S](#) [LDA110S](#) [PS2561-1-V-W-A](#) [PS2561AL-1-V-](#)  
[A](#) [PS2561L1-1-L-A](#) [PS2701A-1-F3-P-A](#) [PS2801-1-F3-P-A](#) [PS2911-1-L-AX](#) [CNY17-2X017](#) [CNY17-4X001](#) [CNY17-4X017](#) [CNY17F-](#)  
[1X007](#) [CNY17F-2X017](#) [CNY17F-4X001](#) [CNY17G-1](#) [LTV-214](#) [LTV-702VB](#) [LTV-733S](#) [LTV-816S-TA](#) [LTV-825S](#) [TCET1113](#) [TCET2100](#)  
[4N25-X007T](#) [IL215AT](#) [ILD615-1X007](#) [ILQ2-X007](#) [VOS615A-2T](#) [WPPC-A11066AA](#) [WPPC-A11066AD](#) [WPPC-A11084ASS](#) [WPPC-](#)  
[A21068AA](#) [WPPC-D11066AA](#) [WPPC-D21068ED](#) [WPPC-D410616EA](#) [WPPC-D410616ED](#)