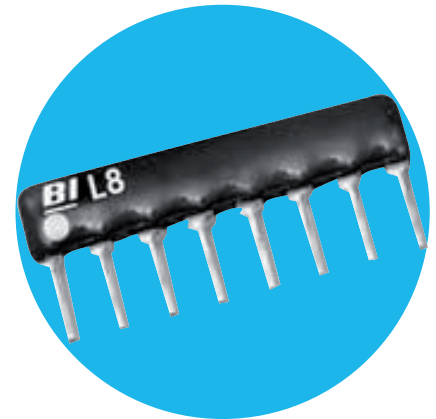


SIL Resistor Network

L Series

- Thick Film
- Low Profile SIP
- Conformal Coated
- Resistor Networks
- RoHS Compliant



 All parts are Pb-free and comply with EU Directive 2011/65/EU amended by (EU) 2015/863 (RoHS3)

Electrical

| | |
|---|---|
| Standard Resistance Range, Ohms | 1%: 22R - 1M; 2%:10R - 5M6; 5%: 10R - 10M |
| Standard Resistance Tolerance, at 25°C | ±2% Optional: ±1% (F Tol.), ±5% (J Tol.) |
| Operating Temperature Range | -55°C to +125°C |
| Temperature Coefficient of Resistance | ±100ppm/°C (<50 Ohms = ±250ppm/°C) |
| Temperature Coefficient of Resistance, Tracking | ±50ppm/°C |
| Power Rating @70°C (per resistor element) | Circuits -1 & -5: 125mW, circuit -3: 200mW |
| Maximum Operating Voltage | 100Vdc or VPR |
| Insulation Resistance | ≥10,000 Megohms |

Environmental

| | |
|---|-------------------------|
| Thermal Shock plus Power Conditioning | ΔR 0.70% |
| Short Time Overload | ΔR 0.25% |
| Terminal Strength | ΔR 0.25% |
| Moisture Resistance | ΔR 0.50% |
| Mechanical Shock | ΔR 0.25% |
| Vibration | ΔR 0.25% |
| Low Temperature Storage | ΔR 0.25% |
| High Temperature Exposure | ΔR 0.50% |
| Load Life, 1,000 Hours | ΔR 1.00% |
| Resistance to Solder Heat (Per MIL-STD-202, Method 210, Cond.B) | ΔR 0.25% |
| Dielectric Withstand Voltage | 200V for 1 minute |
| Marking Permanency | MIL-STD 202, Method 215 |
| Lead Solderability | MIL-STD 202, Method 208 |
| Flammability | UL-94V-O Rated |
| Storage Temperature Range | -55°C to +150°C |

Specifications subject to change without notice.

General Note

TT Electronics reserves the right to make changes in product specification without notice or liability.
All information is subject to TT Electronics' own data and is considered accurate at time of going to print.

L Series

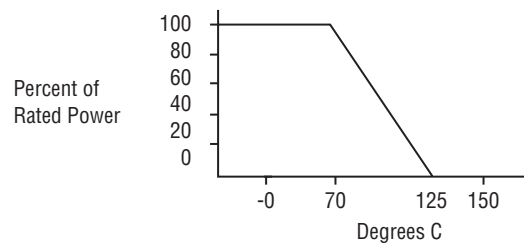
Mechanical

| | |
|--------------------|-------------------------------------|
| Lead Finish | SnAgCu |
| Substrate Material | Alumina |
| Resistor Material | Cermet |
| Body Material | Conformal Epoxy Resin, red or black |

Standard Resistance Values, Ohms

Power Derating Curve

| -3 Circuit (Isolated Resistors) & -1 Circuits (Bussed Resistors) | | | | | |
|--|---------|---------|---------|---------|---------|
| Ohms | Code | Ohms | Code | Ohms | Code |
| 22 | 220 | 820 | 821 | 33K | 333 |
| 27 | 270 | 1K | 102 | 39K | 393 |
| 33 | 330 | 1.2K | 122 | 47K | 473 |
| 39 | 390 | 1.5K | 152 | 51K | 513 |
| 47 | 470 | 1.8K | 182 | 56K | 563 |
| 51 | 510 | 2K | 202 | 68K | 683 |
| 56 | 560 | 2.2K | 222 | 82K | 823 |
| 68 | 680 | 2.7K | 272 | 100K | 104 |
| 82 | 820 | 3.3K | 332 | 120K | 124 |
| 100 | 101 | 3.9K | 392 | 150K | 154 |
| 120 | 121 | 4.7K | 472 | 180K | 184 |
| 150 | 151 | 5.1K | 512 | 200K | 204 |
| 180 | 181 | 5.6K | 562 | 220K | 224 |
| 200 | 201 | 6.8K | 682 | 270K | 274 |
| 220 | 221 | 8.2K | 822 | 330K | 334 |
| 270 | 271 | 10K | 103 | 390K | 394 |
| 330 | 331 | 12K | 123 | 470K | 474 |
| 390 | 391 | 15K | 153 | 510K | 514 |
| 470 | 471 | 18K | 183 | 560K | 564 |
| 510 | 511 | 20K | 203 | 680K | 684 |
| 560 | 561 | 22K | 223 | 820K | 824 |
| 680 | 681 | 27K | 273 | 1Meg | 105 |
| -5 Circuit (Dual Terminators) | | | | | |
| Ohms | Code | Ohms | Code | Ohms | Code |
| R1/R2 | R1/R2 | R1/R2 | R1/R2 | R1/R2 | R1/R2 |
| 180/390 | 181/391 | 330/390 | 331/391 | 3K/6.2K | 302/622 |
| 220/270 | 221/271 | 330/470 | 331/471 | - | - |
| 220/330 | 221/331 | 330/680 | 331/681 | - | - |

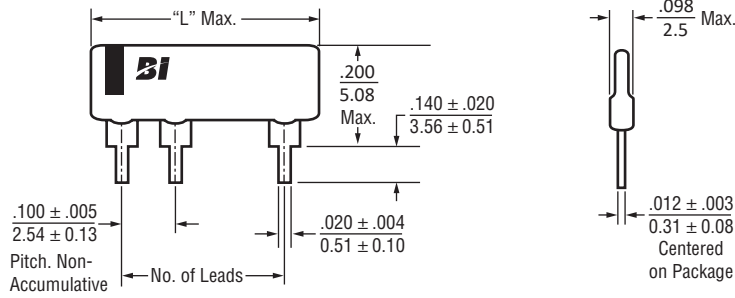


General Note

TT Electronics reserves the right to make changes in product specification without notice or liability. All information is subject to TT Electronics' own data and is considered accurate at time of going to print.

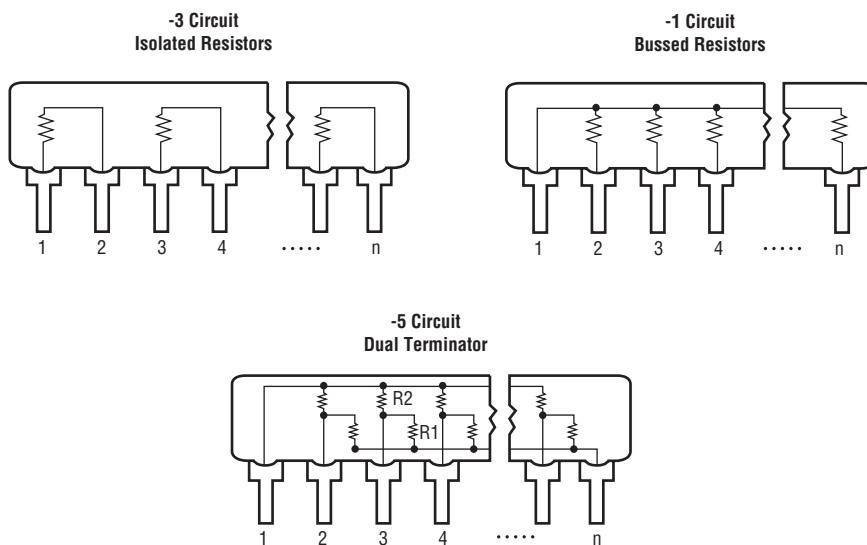
L Series

Outline Dimensions (Inch/mm)



| # of Leads | 4 | 5 | 6 | 7 | 8 | 9 | 10 | 11 | 12 | 13 | 14 |
|---------------|--------------|--------------|--------------|--------------|--------------|--------------|---------------|---------------|---------------|---------------|---------------|
| Dim. "L" Max. | .40 10.16 | .50 12.70 | .60 15.24 | .70 17.78 | .80 20.32 | .90 22.86 | 1.00 25.40 | 1.10 27.94 | 1.20 30.48 | 1.30 33.02 | 1.40 35.56 |

Schematics

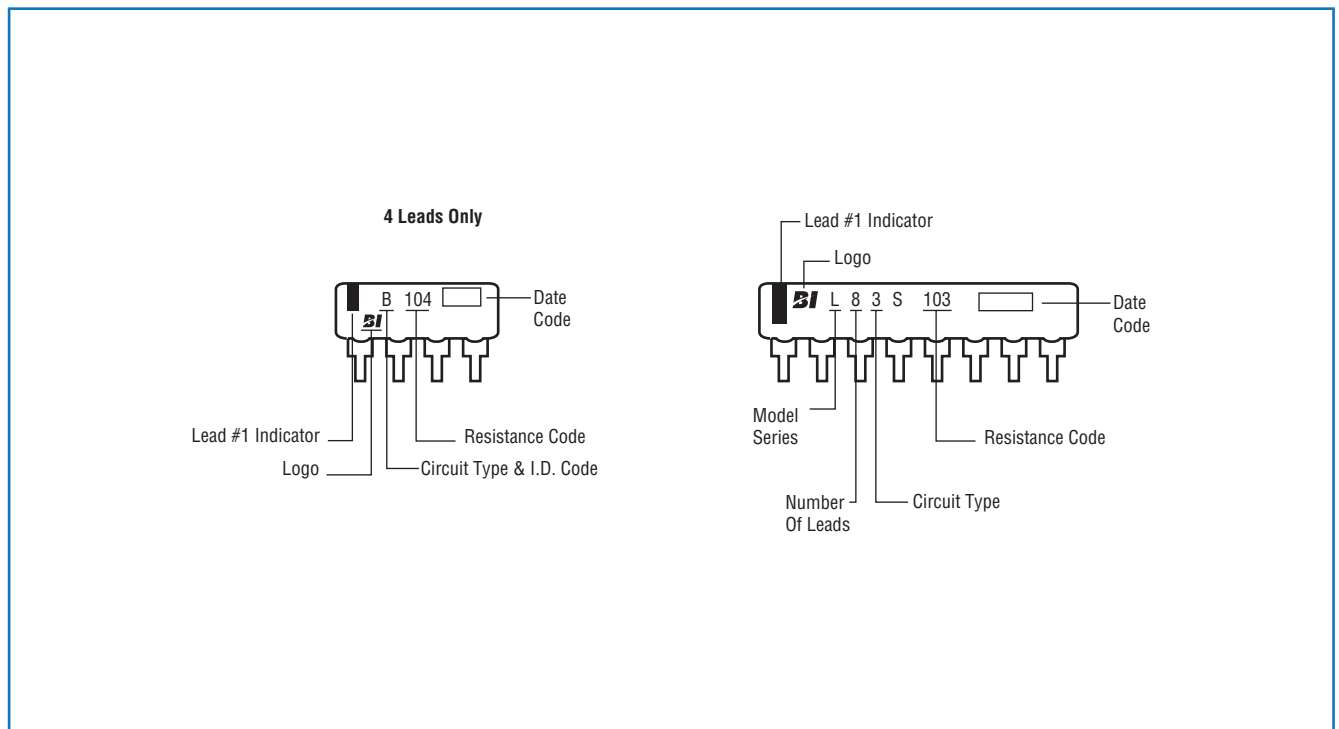


General Note

TT Electronics reserves the right to make changes in product specification without notice or liability. All information is subject to TT Electronics' own data and is considered accurate at time of going to print.

L Series

Typical Part Marking



Packaging

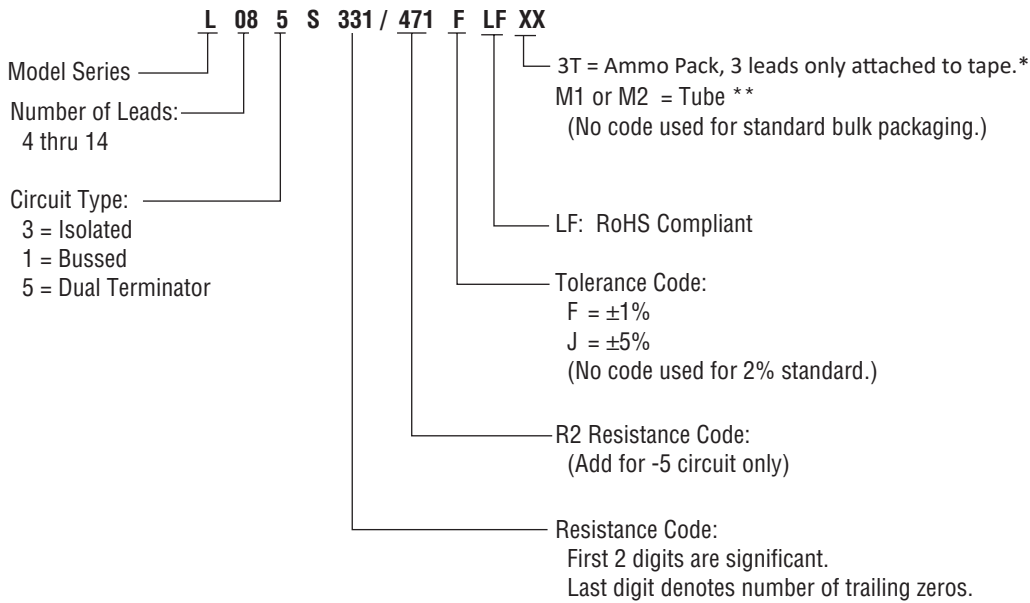
| | | | | |
|-----------|---|----------|--|--|
| Standard: | Bulk: | Quantity | = | 4 -10 pins: 200 per bag, 1000 per box 11 -14 pins: 100 per bag, 500 per box |
| Option: | Tape in Ammo Box (4 - 10 pins only). All Units oriented with lead #1 to the left of direction of feed. | | | |
| | Tape: | Width | = | 18mm |
| | | Pitch | = | 12.7mm |
| Ammo Box: | Capacity | = | 1,000 units per box. 12,000 units per carton | |

General Note

TT Electronics reserves the right to make changes in product specification without notice or liability.
All information is subject to TT Electronics' own data and is considered accurate at time of going to print.

L Series

Ordering Information



* Refer to Packaging for Automation section (Page A-3) for Ammo Pack capacity and dimensions.

** Refer to Packaging for Automation section (Page A-4) for M1 and M2 tube capacity and dimensions.

Applicable Documents

| |
|---|
| MIL-R-83401 — Resistor Networks, Fixed, Film, General Specifications |
| MIL-STD-105 — Sampling Procedures and Tables for Inspection by Attributes |
| MIL-STD-202 — Test Methods for Electronic and Electrical Component Parts |

General Note

TT Electronics reserves the right to make changes in product specification without notice or liability.

All information is subject to TT Electronics' own data and is considered accurate at time of going to print.

X-ON Electronics

Largest Supplier of Electrical and Electronic Components

Click to view similar products for [Resistor Networks & Arrays](#) category:

Click to view products by [TT Electronics](#) manufacturer:

Other Similar products are found below :

[CS6600552K000B8768](#) [CSC08A01470KGEK](#) [M8340105K1002FGD03](#) [M8340106K1002GCD03](#) [M8340106MA010FHD03](#)
[M8340107K1471FGD03](#) [M8340108K1001FCD03](#) [M8340108K2402GGD03](#) [M8340108K3242FGD03](#) [M8340108K6202GGD03](#)
[M8340109K2002FCD03](#) [M8340109MA010GHD03](#) [EXB-24N121JX](#) [EXB-24N470JX](#) [EXB-A10E102J](#) [EXB-A10E104J](#) [744C083101JTR](#)
[MDP1603100KGE04](#) [PRA100I2-1KBWNW](#) [GUS-SS4-BLF-01-1002-G](#) [ACAS06S0830339P100](#) [ACAS06S0830343P100](#)
[ACAS06S0830344P100](#) [RM2012A-102/104-PBVW10](#) [RM2012A-102503-PBVW10](#) [RM3216B-102302-PBVW10](#) [L091S102LF](#)
[ACAS06S0830341P100](#) [ACAS06S0830342P100](#) [ACAS06S0830345P100](#) [EXB-14V300JX](#) [EXB-U18330JX](#) [EXB-V8V220GV](#) [PRA100I2-](#)
[10KBWN](#) [PRA100I4-10KBWN](#) [M8340102M4701JAD04](#) [M8340105K1002GGD03](#) [M8340105M1001JCD03](#) [M8340107K3402FCD03](#)
[M8340108K1000FGD03](#) [M8340108K1000GGD03](#) [M8340108K1002GGD03](#) [M8340108K2002FCD03](#) [M8340108K3901GGD03](#)
[M8340108K4992FGD03](#) [M8340109K2002GCD03](#) [M8340109K2202GCD03](#) [RKC8BD104J](#) [RM3216B-103103-PBXW10](#) [TDP16031001BUF](#)