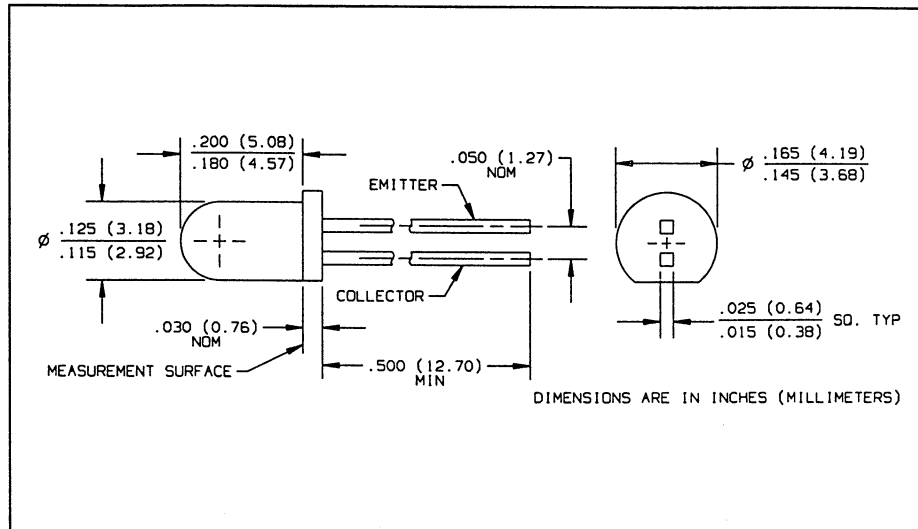
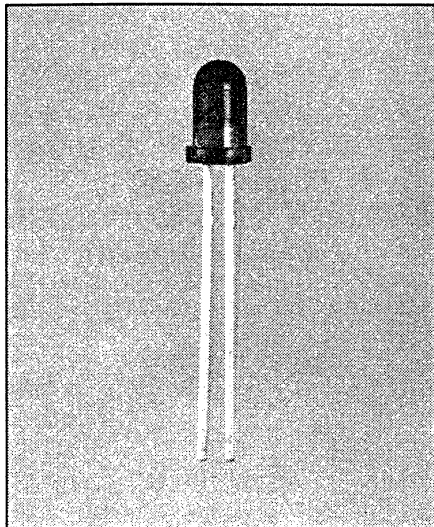


Infrared Selected NPN Silicon Phototransistors Types OP505A, OP505B, OP505C, OP505D



Features

- Narrow receiving angle
- Variety of sensitivity ranges
- T-1 package style
- Small package size for space limited applications

Description

The OP505 series devices consist of NPN silicon phototransistors molded in blue tinted epoxy packages. The narrow receiving angle provides excellent on-axis coupling. These devices are 100% production tested using infrared light for close correlation with Optek's GaAs and GaAlAs emitters.

Replaces

K5500 Series

Absolute Maximum Ratings ($T_A = 25^\circ\text{C}$ unless otherwise noted)

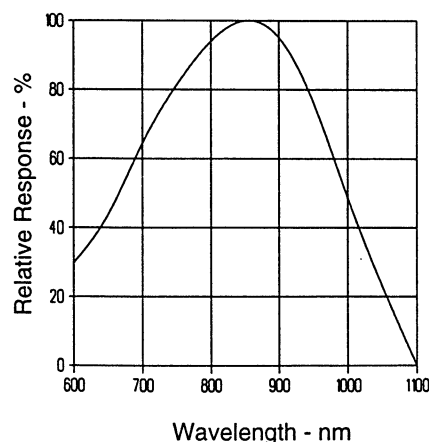
Collector-Emitter Voltage	30 V
Emitter-Collector Voltage	5.0 V
Storage and Operating Temperature Range	-40°C to $+100^\circ\text{C}$
Lead Soldering Temperature [1/16 inch (1.6 mm) from case for 5 sec. with soldering iron]	$260^\circ\text{C}^{(1)}$
Power Dissipation	100 mW ⁽²⁾

Notes:

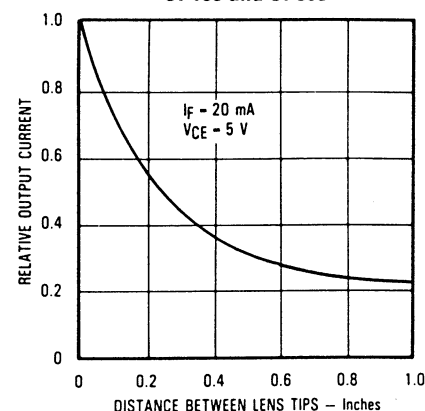
- (1) RMA flux is recommended. Duration can be extended to 10 sec. max. when flow soldering. Max. 20 grams force may be applied to leads when soldering.
- (2) Derate linearly $1.33\text{ mW}/^\circ\text{C}$ above 25°C .
- (3) Light source is an unfiltered GaAs LED with a peak emission wavelength of 935 nm and a radiometric intensity level which varies less than 10% over the entire lens surface of the phototransistor being tested.
- (4) To calculate typical collector dark current in μA , use the formula $I_{CED} = 10^{(0.040 T_A - 3.4)}$ where T_A is ambient temperature in $^\circ\text{C}$.

Typical Performance Curves

Typical Spectral Response



Coupling Characteristics
OP165 and OP505



Types OP505A, OP505B, OP505C, OP505D

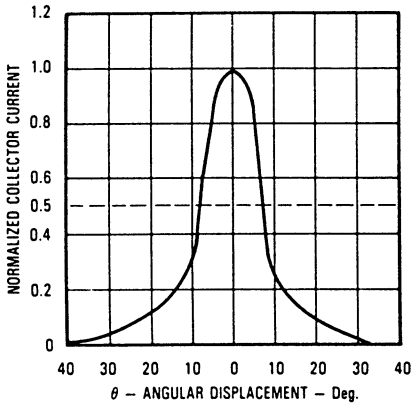
Electrical Characteristics ($T_A = 25^\circ\text{C}$ unless otherwise noted)

SYMBOL	PARAMETER	MIN	TYP	MAX	UNITS	TEST CONDITIONS
$I_{C(ON)}$	On-State Collector Current	OP505D 0.55 OP505C 1.10 OP505B 2.15 OP505A 4.30		3.00 5.95	mA	$V_{CE} = 5\text{ V}$, $E_e = 0.50\text{ mW/cm}^{2(3)}$ $V_{CE} = 5\text{ V}$, $E_e = 0.50\text{ mW/cm}^{2(3)}$ $V_{CE} = 5\text{ V}$, $E_e = 0.50\text{ mW/cm}^{2(3)}$ $V_{CE} = 5\text{ V}$, $E_e = 0.50\text{ mW/cm}^{2(3)}$
$\Delta I_C/\Delta T$	Relative I_C Changes with Temperature		1.00		%/ $^\circ\text{C}$	$V_{CE} = 5\text{ V}$, $E_e = 1.00\text{ mW/cm}^2$ $\lambda = 935\text{ nm}$
I_{CEO}	Collector Dark Current			100	nA	$V_{CE} = 10.0\text{ V}$, $E_e = 0^{(4)}$
$V_{(BR)CEO}$	Collector-Emitter Breakdown Voltage	30			V	$I_C = 100\text{ }\mu\text{A}$
$V_{(BR)ECO}$	Emitter-Collector Breakdown Voltage	5.0			V	$I_E = 100\text{ }\mu\text{A}$
$V_{CE(SAT)}$	Collector-Emitter Saturation Voltage			0.40	V	$I_C = 250\text{ }\mu\text{A}$, $E_e = 0.50\text{ mW/cm}^2$ $\lambda = 935\text{ nm}$

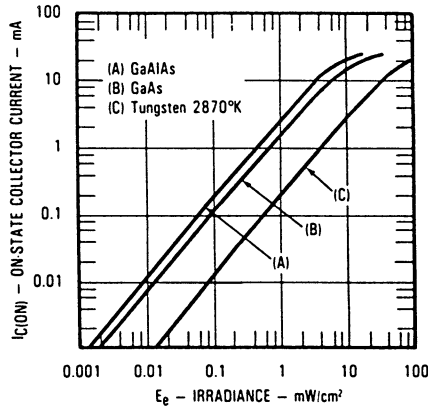
PHOTOSENSORS

Typical Performance Curves

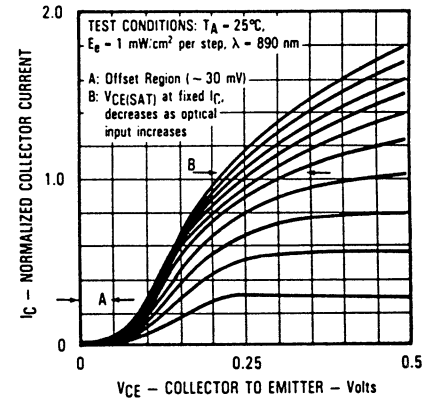
Normalized Collector Current vs. Angular Displacement



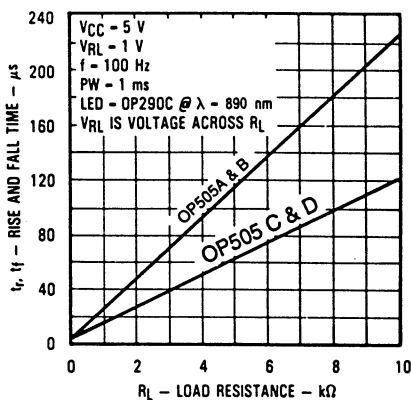
On-State Collector Current vs. Irradiance



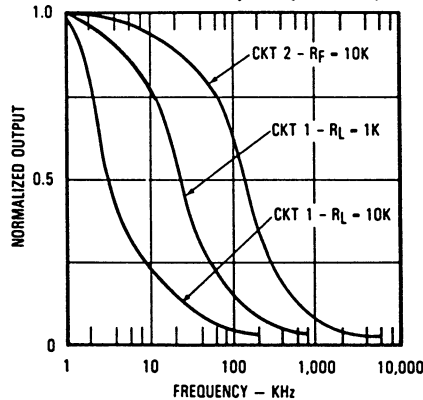
Normalized Collector Current vs. Collector to Emitter Voltage



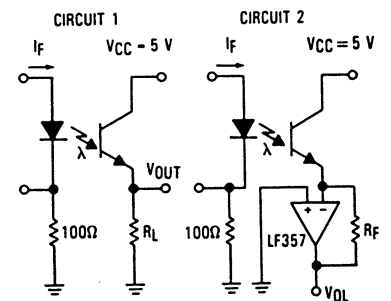
Rise and Fall Time vs. Load Resistance



Normalized Output vs. Frequency



Switching Time Test Circuit



Test Conditions:
Light source is pulsed LED with t_r and $t_f \leq 500\text{ ns}$.
 I_f is adjusted for $V_{OUT} = 1\text{ Volt}$.

X-ON Electronics

Largest Supplier of Electrical and Electronic Components

Click to view similar products for [Phototransistors](#) category:

Click to view products by [TT Electronics](#) manufacturer:

Other Similar products are found below :

[LTR-5576D](#) [PT17-21B/L41/TR8](#) [PT908-7B-F](#) [ASDL-6620-C22](#) [OED-ST-8LR2](#) [OED-STR44B90-TR](#) [SD5410-109](#) [PT26-21C/CT](#) [PT15-21B-TR8](#) [PT-IC-AC-3528-520](#) [PT-IC-BC-3528-550](#) [MHT153PTBT](#) [MHS153PTBT](#) [PT5529B/L2/H2-F](#) [PT91-21C/TR10](#) [BP 103-3/4](#) [BPX 38-3](#) [BPY 62](#) [KPS-3227SP1C](#) [L-53P3BT](#) [L-53P3C](#) [L-93DP3BT](#) [L-93DP3C](#) [LL-503PTC2E-1AD](#) [LL-S150PTC-1A](#) [LL-S150PTD-1A](#) [SFH 320](#) [SFH 320-3](#) [SFH 320 FA](#) [OP508FA](#) [TEMT1030](#) [LTR-301](#) [PGM5516-MP](#) [PGM5526-MP](#) [PGM5549](#) [PGM5637D](#) [VTT7125H](#) [VEMT4700F-GS08](#) [PT19-21B/L41/TR8](#) [KP-2012P3C](#) [TEKT5400S](#) [SD1410-128L](#) [SFH 313 FA-3/4](#) [SFH 313 FA-2/3](#) [SFH 320-4-Z](#) [SFH 309 FA-5/6](#) [PT4800FE000F](#) [SFH 309-5/6](#) [SFH 3410-1/2-Z](#) [SFH 3410R](#)