

Secondary Lens With Holder

OVLENSxx4



Features:

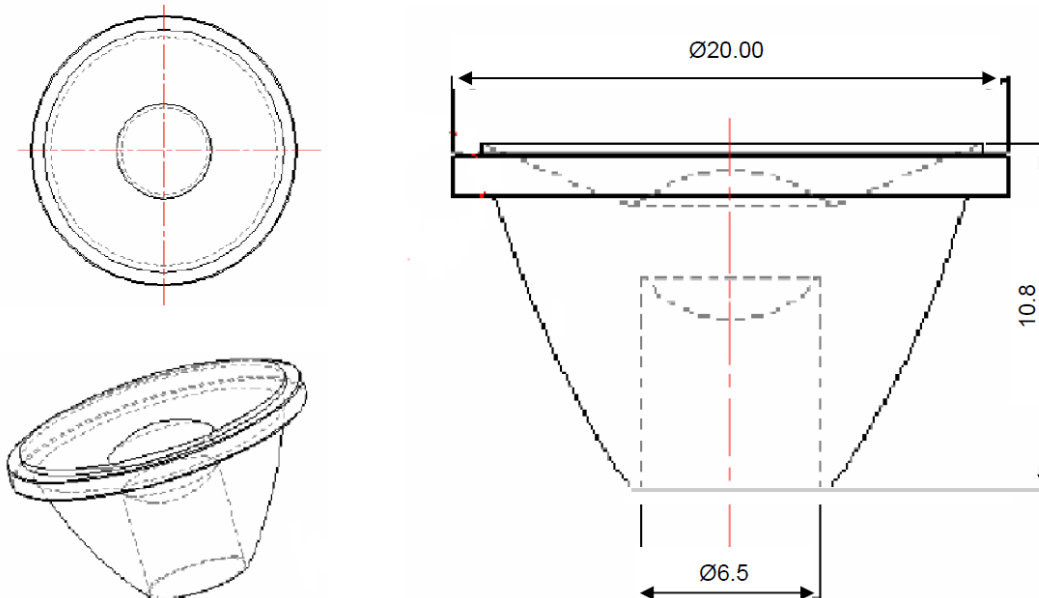
- Custom designed for Optek OVSPxxT7 LED Series
- Efficient light extraction and high flux output
- Narrow viewing angles
- Precision molded with optical grade plastic



These water-clear polycarbonate lenses with black holders are specifically designed to mate with Optek's 6x6mm power surface mount LEDs (OVSxxxCR4 Series) to provide a more narrow beam angle. Lenses are available in both 15° and 23° viewing angles. The lenses and holders sit firmly over the LED component and is easily attached to the PCB/MPCB with adhesive.

Part Number	Material	Emitted Color	Intensity Typ. mcd	Lens Color
OVLENS234	23°	Polycarbonate	Water Clear	Black

Lens Dimensions



RoHS



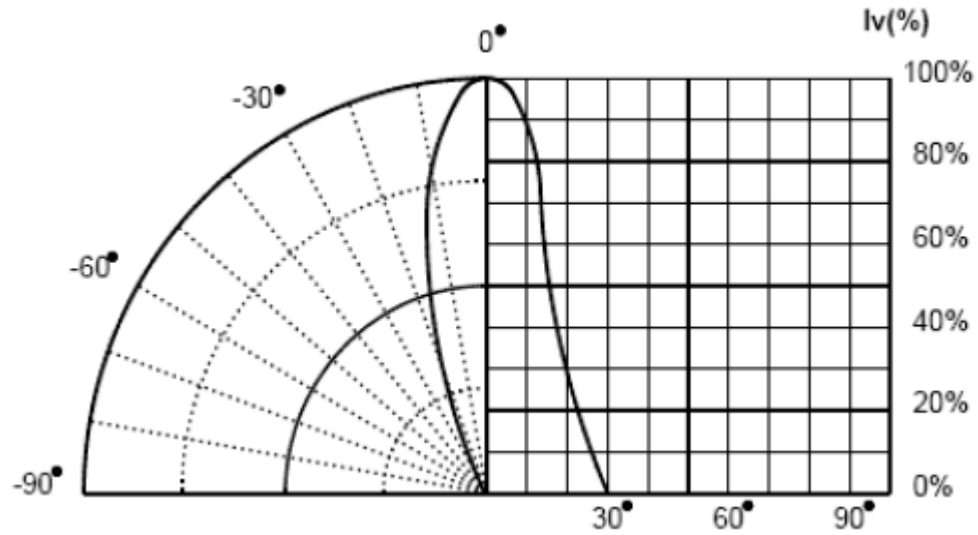
DO NOT LOOK DIRECTLY AT LED WITH UNSHIELDED EYES OR DAMAGE TO RETINA MAY

General Note

TT Electronics reserves the right to make changes in product specification without notice or liability. All information is subject to TT Electronics' own data and is considered accurate at time of going to print.

TT Electronics | Optek Technology, Inc.
1645 Wallace Drive, Ste. 130, Carrollton, TX USA 75006 | Ph: +1 972 323 2200
www.ttelectronics.com | sensors@ttelectronics.com

Radiation Pattern for OVLENS234



X-ON Electronics

Largest Supplier of Electrical and Electronic Components

Click to view similar products for [LED Lenses](#) category:

Click to view products by [TT Electronics](#) manufacturer:

Other Similar products are found below :

[139A-403R](#) [2857](#) [SSN-LX13049L-CD](#) [SSN-LX18754A](#) [SSN-LX18754C](#) [2817](#) [3122](#) [39-30-W03](#) [4623](#) [4752](#) [3121](#) [3124](#) [3125](#) [4327](#) [4371](#)
[4743](#) [4747](#) [4757](#) [3113](#) [4317](#) [4342](#) [4347](#) [4343](#) [4345](#) [4346](#) [CMC321YTP](#) [4742](#) [CMS444CTP](#) [13788360933552](#) [4745](#) [SML190RTP](#) [177-](#)
[0931-003](#) [177-0933-003](#) [8652](#) [8658](#) [8662](#) [8665](#) [TL50LA1T](#) [SGLC-250-D YW](#) [SGLC-250-D BE](#) [SGLC-250-D GN](#) [SGLC-250-D RD](#)
[SGLC-3MM-F YW](#) [SGLC-3MM-F RD](#) [SGLC-3MM-F BE](#) [SGLC-3MM-F](#) [SGLC-3MM-F GN](#) [4344](#) [080-0535-303](#) [080-0512-203](#)