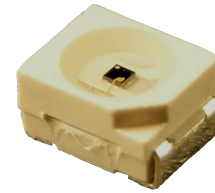


Yellow LED in PLCC-2 SMT Package (120° Viewing Angle)

OVS9YBCR7



Features:

- PLCC-2 SMT Package
- Compatible with automatic placement machine
- Pb free and RoHS compliant

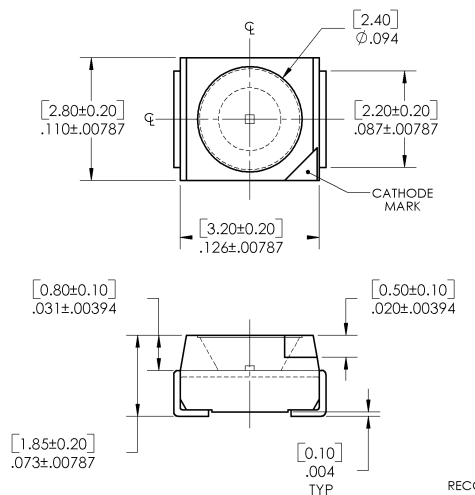
Description:

The **OVS9YBCR7** is a 120° yellow LED mounted in a plastic PLCC-2 SMT package. The device can be used for many applications in both indoor and outdoor environments.

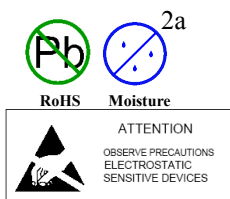
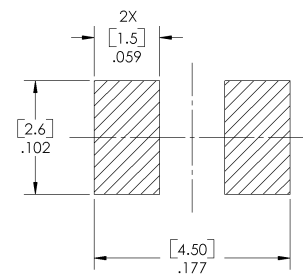
Applications:

- Interior automotive lighting
- Indoor and outdoor displays
- Indicator
- Backlighting (LCD, displays, switches, office equipment)
- General use

Part Number	Material	Emitted Color	Intensity Typ. (mcd)	Lens Color
OVS9YBCR7	AlInGaP	Yellow	120	Water Clear



Recommended Soldering Pad



**DO NOT LOOK DIRECTLY
AT LED WITH
UNSHIELDED EYES OR
DAMAGE TO RETINA MAY**

General Note

TT Electronics reserves the right to make changes in product specification without notice or liability. All information is subject to TT Electronics' own data and is considered accurate at time of going to print.

TT Electronics | OPTEK Technology
1645 Wallace Drive, Carrollton, TX 75006 | Ph: +1 972 323 2200
www.ttelectronics.com | www.optekinc.com

Yellow LED in PLCC –2 SMT Package (120° Viewing Angle)

OVS9YBCR7



Electrical Specifications

Absolute Maximum Ratings ($T_A = 25^\circ\text{C}$ unless otherwise noted)

Storage Temperature Range	-40 ~ +100° C
Operating Temperature Range	-40 ~ +100° C
DC Forward Current	30 mA
Peak Forward Current (I_{FP}) (10% Duty Cycle, $PW \leq 10 \mu s$)	1000 mA
Reverse Voltage (V_R)	5 V
Current Linearity vs. Ambient Temperature	-0.5 mA/° C
LED Junction Temperature	125° C
Power Dissipation	82.5 mW

Electrical Characteristics ($T_A = 25^\circ\text{C}$ unless otherwise noted)

SYMBOL	PARAMETER	MIN	TYP	MAX	UNITS	TEST CONDITIONS
I_V	Luminous Intensity ¹	71.5	120	----	mcd	$I_F = 20\text{ mA}$
V_F	Forward Voltage ²	----	2.0	2.75	V	$I_F = 20\text{ mA}$
I_R	Reverse Current	----	----	10	μA	$V_R = 5\text{ V}$
$2 \Theta_{\frac{1}{2}}$	50% Power Angle	----	120	----	deg	$I_F = 20\text{ mA}$
λ_D	Dominant Wavelength ³	582	589	594	nm	$I_F = 20\text{ mA}$
$\Delta\lambda$	Spectral Half Width	----	25	----	nm	$I_F = 20\text{ mA}$

Notes:

1. Tolerance of measurement of luminous intensity is $\pm 10\%$.
2. Tolerance of measurement of V_F is $\pm 0.05\text{V}$.
3. Tolerance of measurement of dominant wavelength is $\pm 1\text{ nm}$.
4. For cleaning, an alcohol-based solvent such as isopropyl alcohol (IPA) is recommended.

General Note

TT Electronics reserves the right to make changes in product specification without notice or liability. All information is subject to TT Electronics' own data and is considered accurate at time of going to print.

TT Electronics | OPTEK Technology
1645 Wallace Drive, Carrollton, TX 75006 | Ph: +1 972 323 2200
www.ttelectronics.com | www.optekinc.com

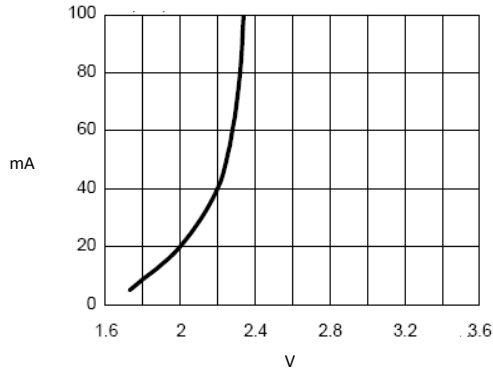
Yellow LED in PLCC –2 SMT Package (120° Viewing Angle)

OVS9YBCR7

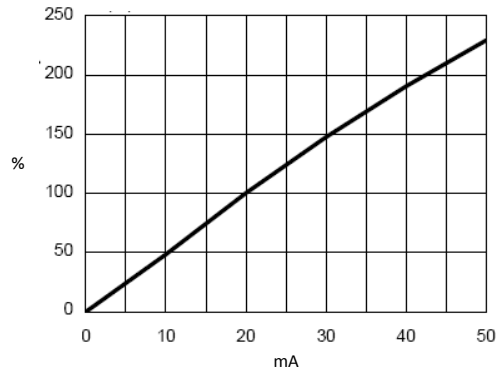


Performance

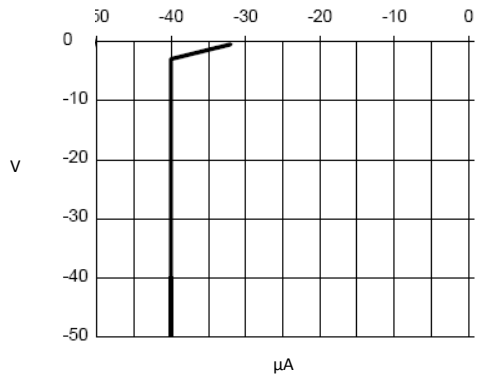
Typical Electro-Optical Characteristics Curves



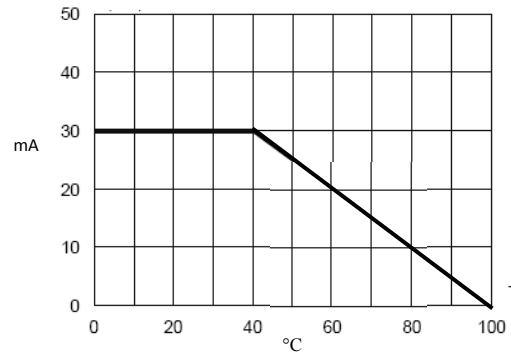
Forward Current vs Forward Voltage



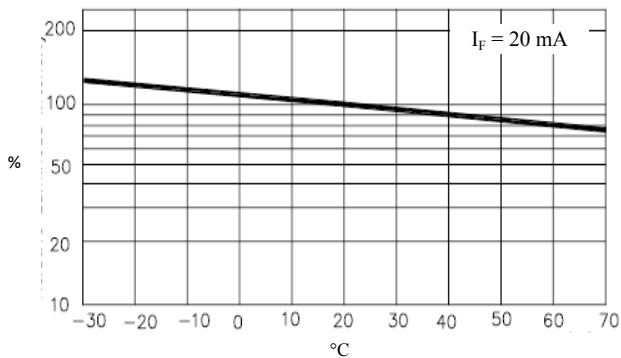
Luminous Intensity vs Forward Current



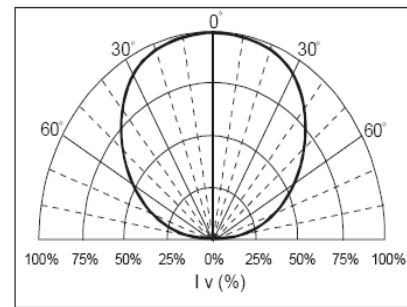
Reverse Current vs Reverse Voltage



Allowable Forward Current vs Ambient Temperature



Luminous Intensity vs Ambient Temperature



Beam Pattern

General Note

TT Electronics reserves the right to make changes in product specification without notice or liability. All information is subject to TT Electronics' own data and is considered accurate at time of going to print.

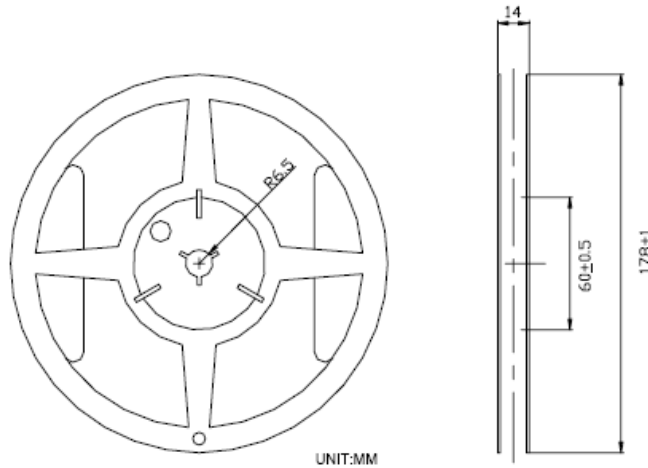
TT Electronics | OPTEK Technology
1645 Wallace Drive, Carrollton, TX 75006 | Ph: +1 972 323 2200
www.ttelectronics.com | www.optekinc.com

Yellow LED in PLCC –2 SMT Package (120° Viewing Angle)

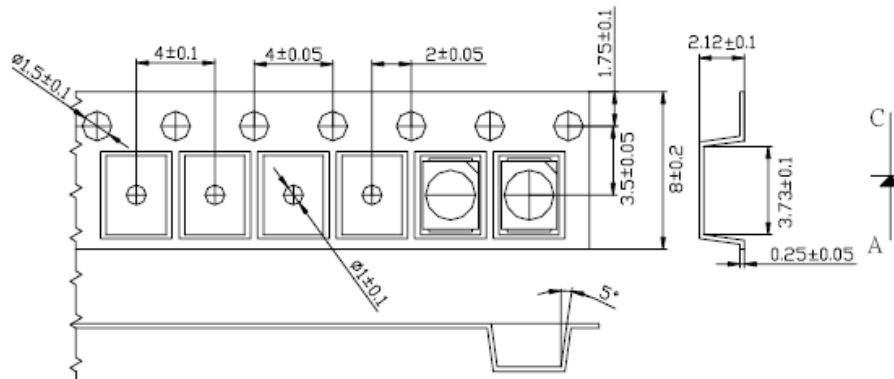
OVS9YBCR7



Packaging



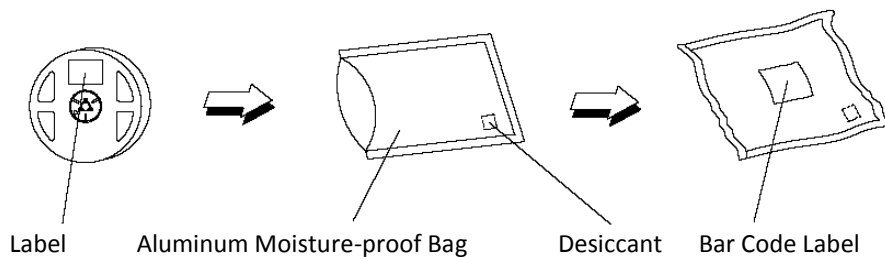
Carrier Tape Dimensions: Loaded quantity 2000 pieces per reel



Notes:

1. Polarity referring onto the cathode mark/line is reversed on the UR/HR (N-side-up chips).
2. The carrier tape and components loading specifications meet the EIA 481-1a Standard.

Moisture Resistant Packaging



General Note

TT Electronics reserves the right to make changes in product specification without notice or liability. All information is subject to TT Electronics' own data and is considered accurate at time of going to print.

TT Electronics | OPTEK Technology
1645 Wallace Drive, Carrollton, TX 75006 | Ph: +1 972 323 2200
www.ttelectronics.com | www.optekinc.com

X-ON Electronics

Largest Supplier of Electrical and Electronic Components

Click to view similar products for [Standard LEDs - SMD category](#):

Click to view products by [TT Electronics manufacturer](#):

Other Similar products are found below :

[LTST-C19GD2WT](#) [LTST-N683GBEW](#) [LTW-170ZDC](#) [LTW-M140SZS40](#) [598-8110-100F](#) [598-8170-100F](#) [598-8610-202F](#) [67-22VRVGC/TR8](#) [AAAF5060QBFSEEZGS](#) [HLMP-6305-L0011](#) [ALMD-LB36-SV002](#) [APT1608QGW](#) [15-21UYC/S530-A3/TR8](#) [EASV1803BA0](#) [LG M67K-H1J2-24-0-2-R18-Z](#) [LS A676-P2S1-1](#) [SML310BATT86](#) [SML-512VWT86A](#) [SML-LX0606SISUGC/A](#) [SML-LXL1307SRC-TR](#) [SML-LXR851SIUPGUBC](#) [LT1ED53A](#) [FAT801-S](#) [AM27ZGC03](#) [APB3025SGNC](#) [APFA3010SURKCGKQBDC](#) [APHK1608VGCA](#) [APT2012QGW](#) [CLX6D-FKB-CN1R1H1BB7D3D3](#) [LTST-C250KGKT](#) [LTW-020ZDCG](#) [LTW-21TS5](#) [LTW-220DS5](#) [JANTXM19500/521-02](#) [UYGT801-S](#) [LO T67F-V1AB-24-1](#) [YGFR411-H](#) [SML-LX0402IC-TR](#) [CMDA20AYAA7D1S](#) [CMDA16AYDR7A1X](#) [339-1SURSYGW/S530-A2](#) [598-8040-100F](#) [598-8070-100F](#) [598-8140-100F](#) [598-8610-200F](#) [EAPL3527GA5](#) [67-11/BHC-M1N2B8Y/2A0](#) [SML-LXL1209SYC/ATR](#) [EASV3020YGA0](#) [EAST16086YA5](#)