

# Panel Potentiometer

## Model P260 / P261 Series



### Features:

- 12.7 mm (1/2") square rotary
- Sealed / dust proof
- 1,000,000 cycle life
- Rotary switch option
- Detent and wire lead options
- Multiple gangs available



### Model Styles Available

Side Adjust, PCB Leads, Potentiometer Module (Up to 6 gangs)	P260P
Side Adjust, PCB Leads, with Rotary Switch Module (Up to 5 gangs)	P260S
Side Adjust, PCB Leads, with Detent Module (Up to 6 gangs)	P260D
Top Adjust, PCB Leads, Potentiometer Module (Up to 2 gangs)	P260T
Potentiometer Module with Wire Leads (Up to 6 gangs)	P260L
Potentiometer Module with Ribbon Cable (Up to 6 gangs)	P260R
Side Adjust, Solder Lug Leads, Potentiometer Module (Up to 6 gangs)	P261P
Side Adjust, Solder Lug Leads, with Rotary Switch Module (Up to 5 gangs)	P261S
Side Adjust, Solder Lug Leads, with Detent Module (Up to 6 gangs)	P261D

### Electrical

Resistance Range, Ohms	500 -1M (for "B" taper) 2K-1M (for other tapers)
Standard Resistance Tolerance	± 10%
Residual Resistance, Maximum	2 ohms
Input Voltage, Maximum	350 Vac
Power rating, Watts	0.5W- B taper, 0.25W- others
Dielectric Strength	1,500Vac, sea level
Insulation Resistance, Minimum	1,000 Megohms
Gang Error (Multi-ganged), Maximum	+/-3 dB (-40 dB to 0dB)
Actual Electrical Travel, Nominal	265°
Switch Contact Resistance, Maximum	150 milliohms max.
Switch Power Rated	0.5A at 30Vdc

#### General Note

TT Electronics reserves the right to make changes in product specification without notice or liability. All information is subject to TT Electronics' own data and is considered accurate at time of going to print.

TT Electronics | BI Technologies  
 Circulo de la Amistad #102 PIMSA IV Mexicali B.C. Mexico C.P 21210  
 Ph: +1 714 447 2345  
[www.ttelectronics.com/bi-technologies](http://www.ttelectronics.com/bi-technologies)

### Mechanical

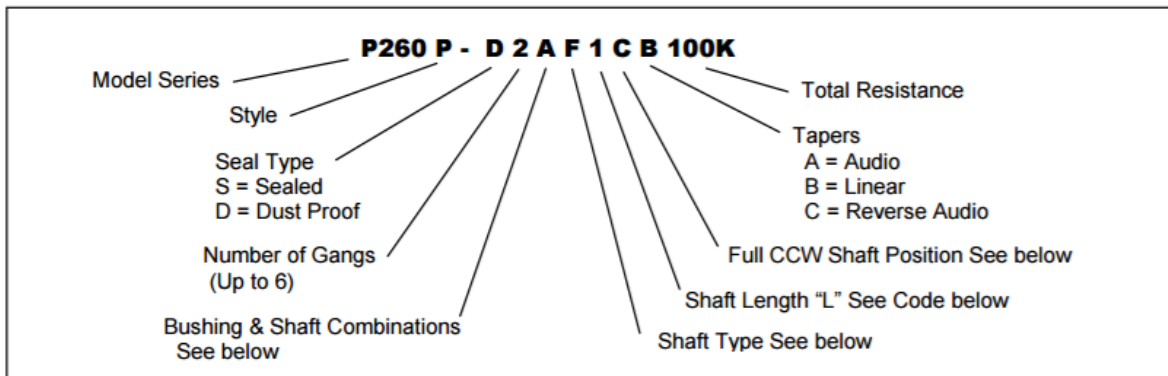
Total Mechanical Travel	295°± 10°
Static Stop Strength	40 oz-in
Rotational Torque, Maximum	1.5 oz-in ( 0.5 oz-in each additional gang)
Switch Detent, Minimum	2.0 oz-in

### Environmental

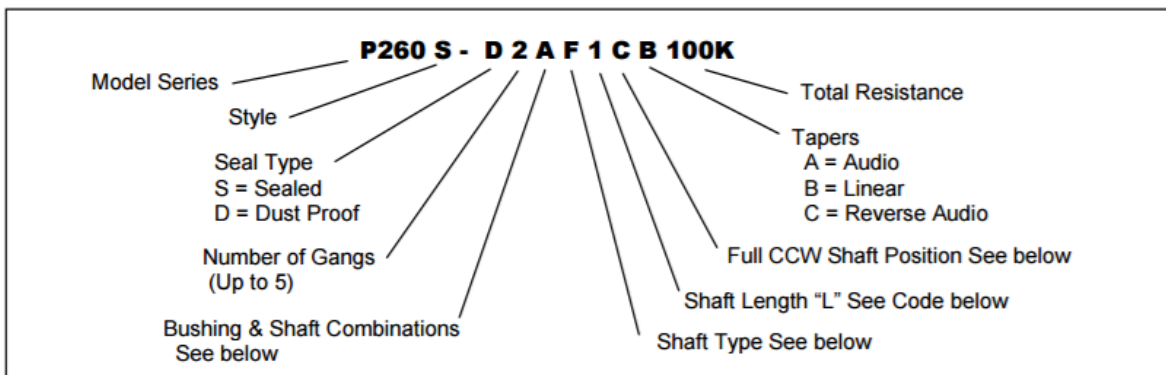
Operating Temperature Range	-55°C to +125°C
Rotational Life	1,000,000 cycles
IP Rating	Sealed = IP66 Dust Proof = IP50

### Ordering

#### P260P/P261P – POTENTIOMETER MODULE



#### P260S/P261S – WITH ROTARY SWITCH MODULE

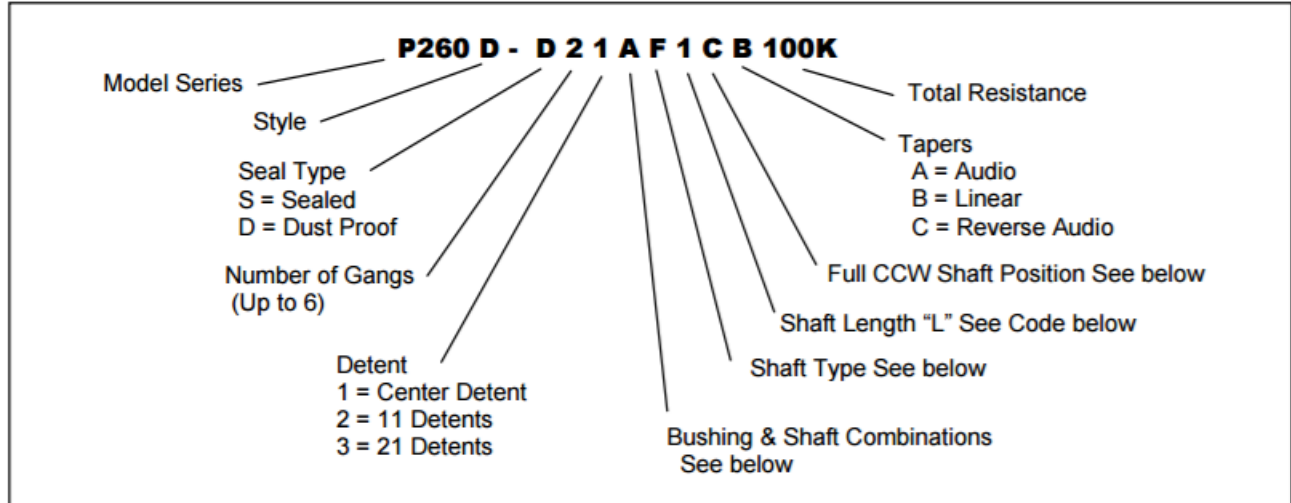


# Panel Potentiometer

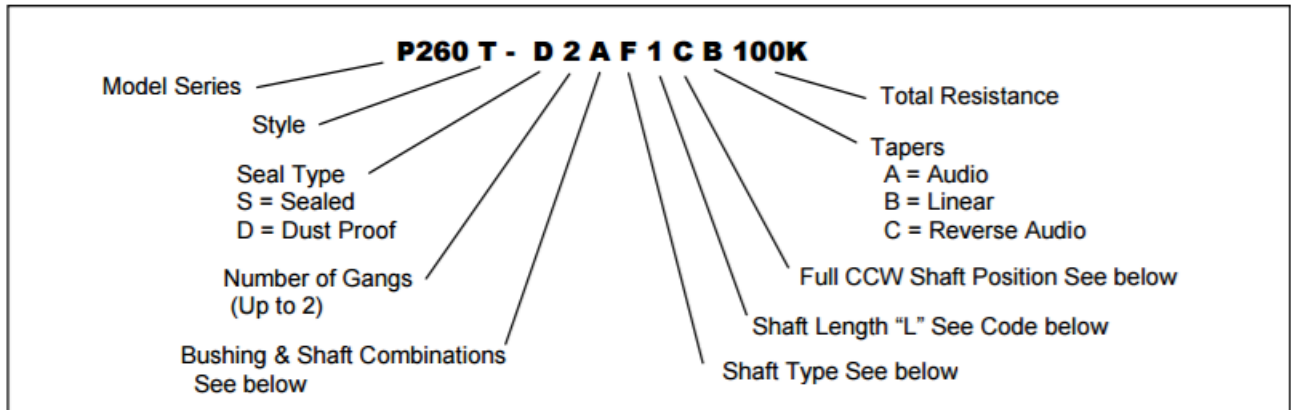
## Model P260 / P261 Series



### P260D/P261D – WITH DETENT MODULE



### P260T – TOP ADJUST, POTENTIOMETER MODULE



#### Bushing & Shaft Combinations

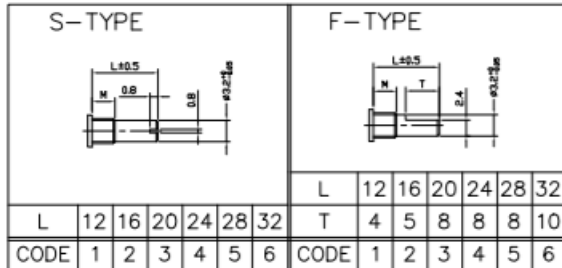
CODE	BUSHING SIZE	BUSHING LENGTH "M"	SHAFT Ø
A	6.35mm (1/4")	6.35mm (1/4")	3.2mm (1/8")
B	9.5mm (3/8")	9.5mm (3/8")	6.35mm (1/4")

# Panel Potentiometer

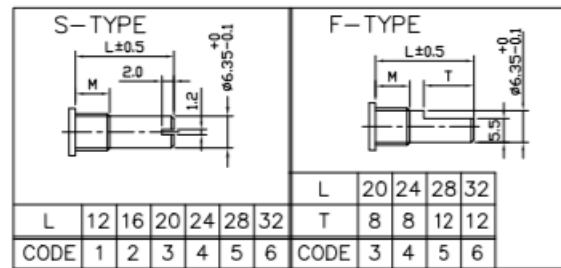
## Model P260 / P261 Series



### Shaft Type and Shaft Length "L" Code For 3.2mm (1/8")

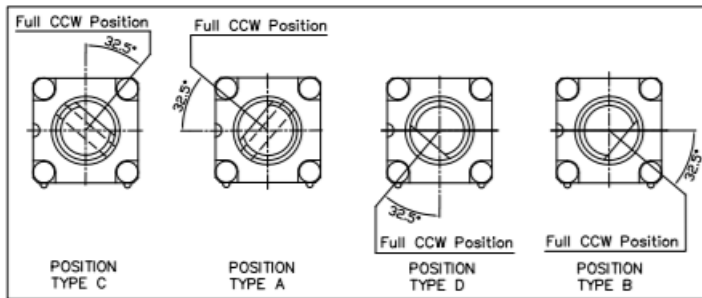


### Shaft Type and Shaft Length "L" Code For 6.35mm (1/4")



### Shaft Position (F-Type Shaft)

Dashed lines on Type "C" and Type "A" shows position of adjustment slot for S-Type

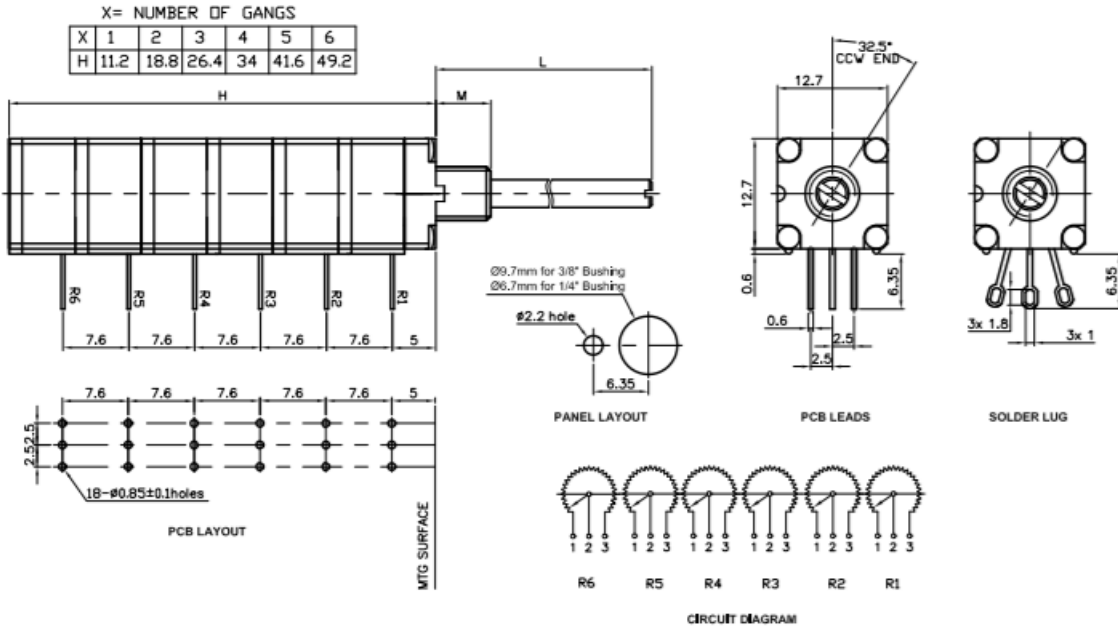


### STANDARD RESISTANCE VALUES, OHMS

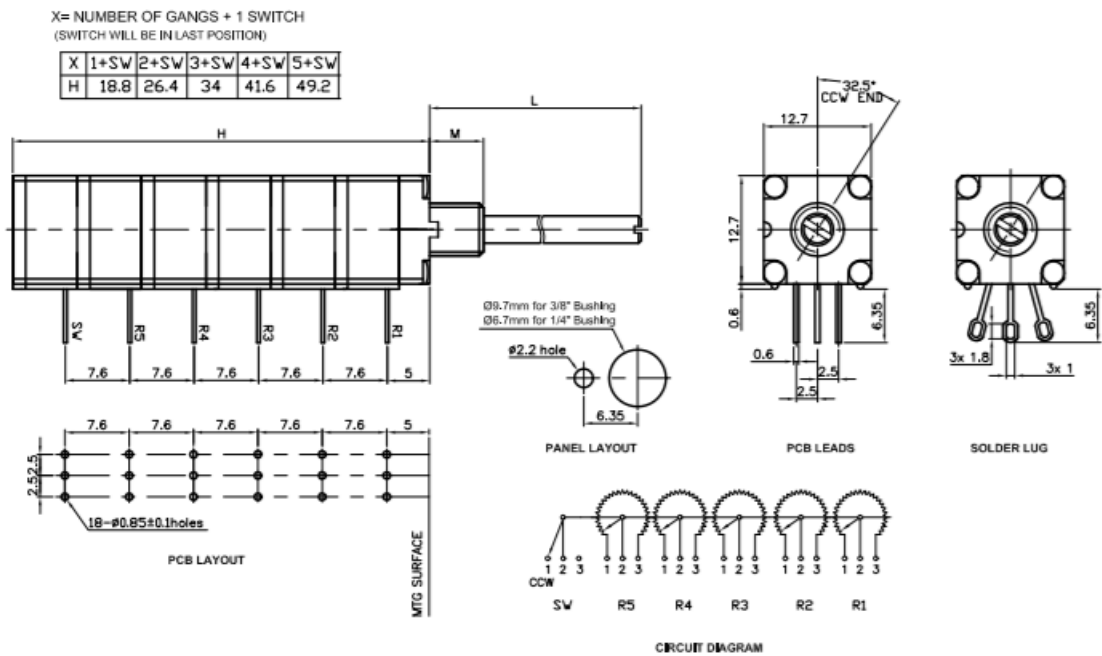
500	1K	2K	5K	10K	20K	50K	100K	200K	500K	1MEG
-----	----	----	----	-----	-----	-----	------	------	------	------

### Outline Drawings

#### P260P/P261P – POTENTIOMETER MODULE



#### P260S/P261S – WITH ROTARY SWITCH MODULE

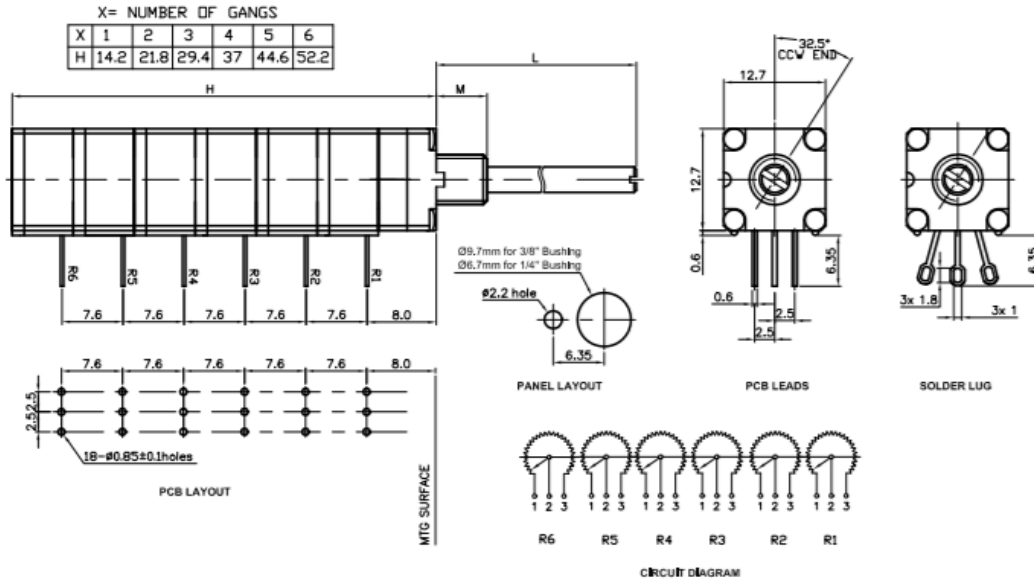


General Note  
TT Electronics reserves the right to make changes in product specification without notice or liability. All information is subject to TT Electronics' own data and is considered accurate at time of going to print.

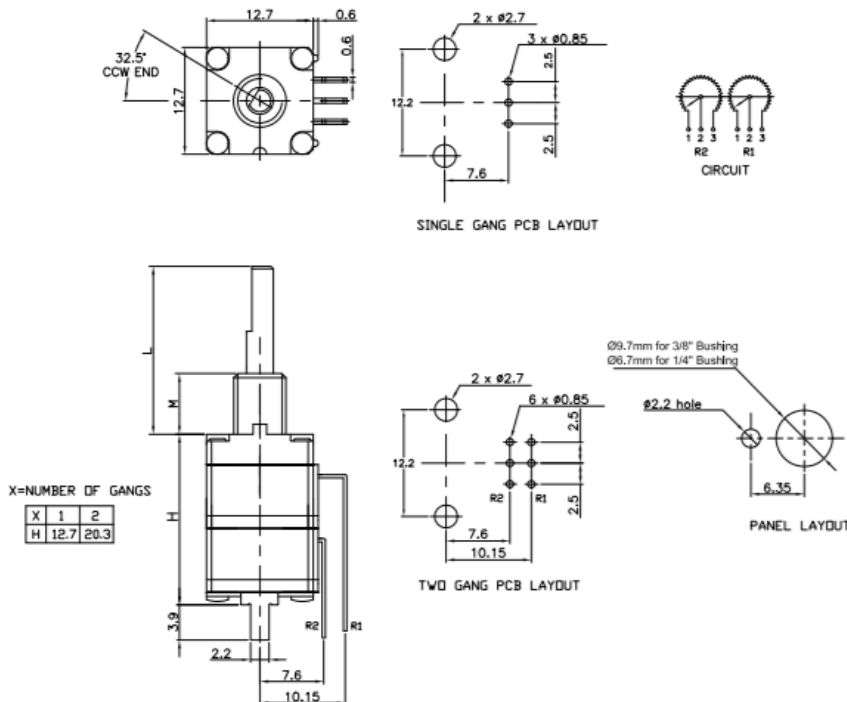
TT Electronics | BI Technologies  
Circulo de la Amistad #102 PIMSA IV Mexicali B.C. Mexico C.P 21210  
Ph: +1 714 447 2345  
www.ttelectronics.com/bi-technologies

### Outline Drawings

#### P260D/P261D – WITH DETENT MODULE



#### P260T – TOP ADJUST, POTENTIOMETER MODULE



General Note  
 TT Electronics reserves the right to make changes in product specification without notice or liability. All information is subject to TT Electronics' own data and is considered accurate at time of going to print.

TT Electronics | BI Technologies  
 Circulo de la Amistad #102 PIMSA IV Mexicali B.C. Mexico C.P 21210  
 Ph: +1 714 447 2345  
[www.ttelectronics.com/bi-technologies](http://www.ttelectronics.com/bi-technologies)

# Panel Potentiometer

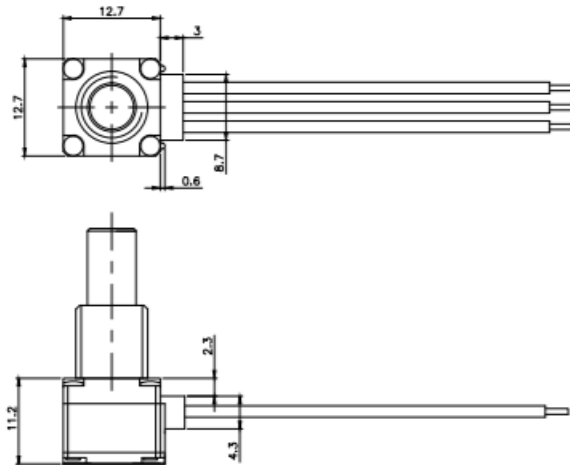
## Model P260 / P261 Series



### Outline Drawings

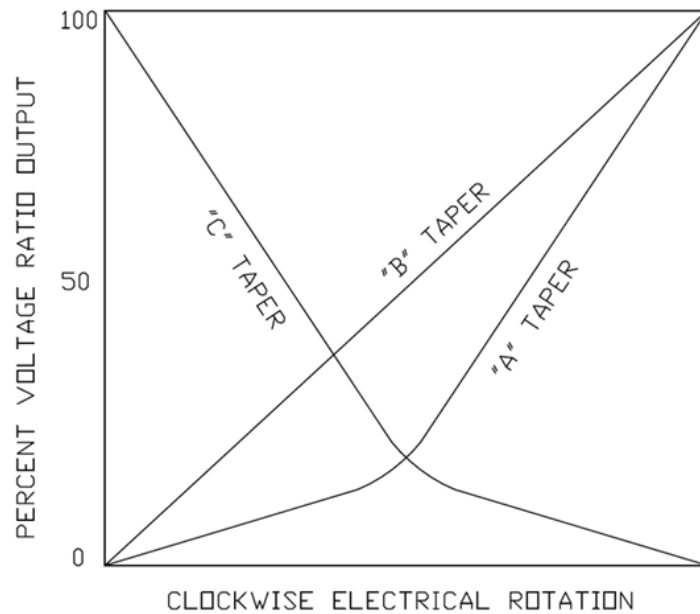
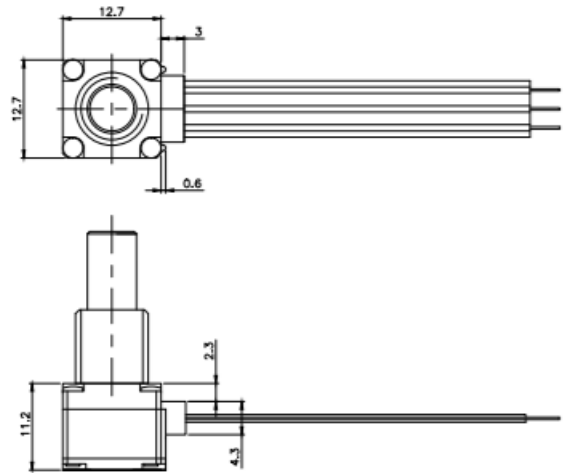
#### P260L – WITH WIRE LEADS

Consult factory for details and options



#### P260R – WITH RIBBON TYPE CABLE

Consult factory for details and options



General Note  
 TT Electronics reserves the right to make changes in product specification without notice or liability. All information is subject to TT Electronics' own data and is considered accurate at time of going to print.

TT Electronics | BI Technologies  
 Circulo de la Amistad #102 PIMSA IV Mexicali B.C. Mexico C.P 21210  
 Ph: +1 714 447 2345  
[www.ttelectronics.com/bi-technologies](http://www.ttelectronics.com/bi-technologies)

## X-ON Electronics

Largest Supplier of Electrical and Electronic Components

*Click to view similar products for [Potentiometers](#) category:*

*Click to view products by [TT Electronics](#) manufacturer:*

Other Similar products are found below :

[58C2-2](#) [590SX1N32F103SS](#) [591SXJ48S252SC](#) [591SXP56S252SC](#) [591SXP56S503SC](#) [D31409](#) [70B1G048K502X-A](#) [70B1M032S502W](#)  
[70B1N056S202W](#) [70B8N056F502W](#) [70J8N048S104U](#) [70L1N040P103W](#) [70L1N048P103X](#) [70L1N048S103W](#) [GA2L040S102UC](#)  
[GA2L040S103UC](#) [GS1G044P103UA](#) [GS1N048P103UA](#) [GS1T032S103UA](#) [A43-1500](#) [A43-20K](#) [A47-200K](#) [A4720K](#) [RA20LASD251A](#)  
[132-2-0-202](#) [132-0-0-202](#) [RK14K1220-F25-C0-A103](#) [RK14K1220F25C0C104](#) [RK14K1220-F25-C1-B103](#) [14910FAGJSX10102KA](#)  
[14910FBGLFY00103KA](#) [14910AABHSX10103KA](#) [14910FAGJSX10104KA](#) [152-01031](#) [C0342008 5K](#) [P270-109A](#) [J97589](#) [23M728](#)  
[248BBHS0XB25104MA](#) [RV170F-10-15R1-B500K-0021](#) [RV8NAYSB104A](#) [917523A](#) [A43-40](#) [A43-750](#) [A43S-5](#) [A47-15K](#) [A4750K](#)  
[SPPG048S103U](#) [SPPG056P103U](#) [SWE-10](#)