

# Rotary Position Sensor

## PHS11 Series



### Features:

- Dust proof construction protects the interior from dust, which maintains stable characteristics
- Excellent resistance materials and high reliability wiper achieves 1,000,000 cycles
- Ultra-thin size (2.2mm height)

### Description:

The PHS11 series is a rotary position sensor that features dust proof construction, an ultra thin size, and a life cycle of 1 million cycles. Some applications are HVAC sensors and motor drive units.

### Applications:

- Rotary angle sensor
- Electric motor-driven bicycle
- Motor drive unit
- HAVC sensor

Electrical Characteristics ( $T_A = 25^\circ\text{C}$ unless otherwise noted)						
SYMBOL	PARAMETER	MIN	TYP	MAX	UNITS	TEST CONDITIONS
$\Omega$	Resistance	1K		100K	Ohms	
	Total resistance tolerance		$\pm 20\%$			
	Power rating			0.1W		
	Linearity (electrical angle $< 180^\circ$ )		$\pm 5$		%	
	Linearity ( $180^\circ \leq$ electrical angle $< 300^\circ$ )		$\pm 3$		%	
	Linearity (electrical angle $\geq 300^\circ$ )		$\pm 2$		%	
	Rotational noise			$< 80$	mV	
	Effective Electrical Angle		333	$\pm 3$	Degrees	
	TCR		$\pm 500$		ppm/ $^\circ\text{C}$	

General Note  
TT Electronics reserves the right to make changes in product specification without notice or liability. All information is subject to TT Electronics' own data and is considered accurate at time of going to print.

© TT electronics plc

TT Electronics | BI Technologies  
413 Rood RD, Suite 7  
Calexico, CA 92231  
Ph: +1 714 447 2345  
[www.ttelectronics.com/bi-technologies](http://www.ttelectronics.com/bi-technologies)

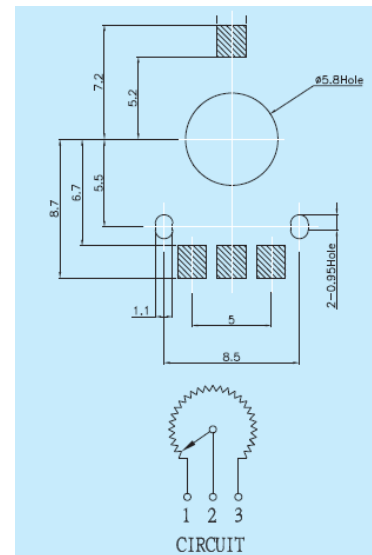
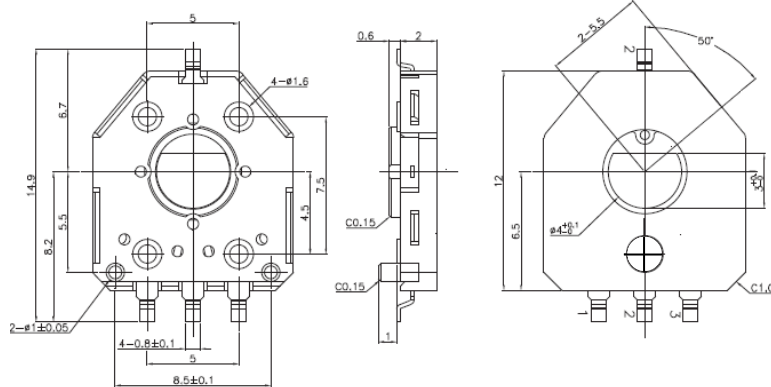
# Rotary Position Sensor

## PHS11 Series



Mechanical Characteristics	
Rotational Angle	360°
Rotational torque	0-30gf-cm
Shaft push/pull strength	> 1.0kgf for 10 sec min
Storage Temperature	-40°C to +120°C
Operating Temperature	-40°C to +120°C
Life Cycles	1,000,000 cycles min
Dry Heat	120 ± 3°C, 250 ± 8H ΔTR ± 20%, Linearity: ±2%
Cold	-40 ± 3°C, 168 ± 4H ΔTR ± 20%, Linearity: ±2%
Humidity	60 ± 2°C, 90 to 95RH, 250 ± 8H ΔTR ± 20%, Linearity: ±2%
Temperature Cycles	-40°C to +120°C, 5 cycles ΔTR ± 20%, Linearity: ±2%

### Packaging

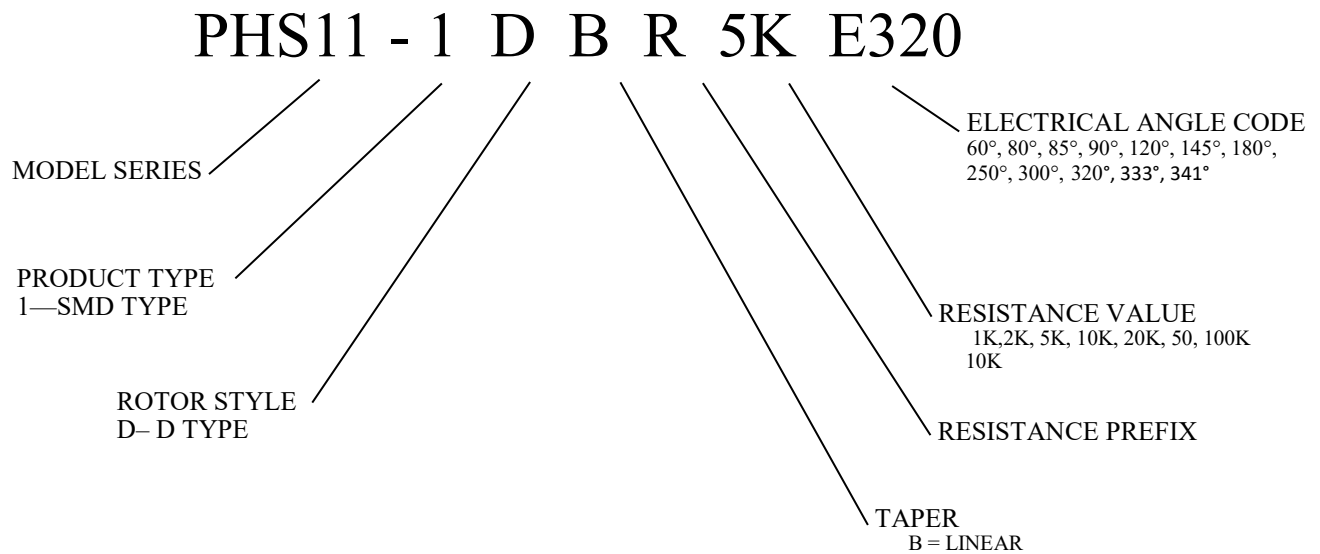


General Note  
 TT Electronics reserves the right to make changes in product specification without notice or liability. All information is subject to TT Electronics' own data and is considered accurate at time of going to print.

© TT electronics plc

TT Electronics | BI Technologies  
 413 Rood RD, Suite 7  
 Calexico, CA 92231  
 Ph: +1 714 447 2345  
[www.ttelectronics.com/bi-technologies](http://www.ttelectronics.com/bi-technologies)

### Ordering Information



## X-ON Electronics

Largest Supplier of Electrical and Electronic Components

*Click to view similar products for [Board Mount Motion & Position Sensors](#) category:*

*Click to view products by [TT Electronics](#) manufacturer:*

Other Similar products are found below :

[6SS4](#) [XL-10043](#) [F02008062](#) [9970-090-9J-SA](#) [MT9105ET](#) [AS5270B-HMFM](#) [IPS2200BI1W](#) [EVW-ADF001B14](#) [AMN11111](#) [AMN31111](#)  
[AMN34112](#) [AMN23111](#) [EKMC1693113](#) [EKMB1303111K](#) [EKMB1293112](#) [RBS130100](#) [RBS130200](#) [EKMB1305113K](#) [EKMB1105113](#)  
[EKMB1205113](#) [OKY3062-2](#) [OKY3062-4](#) [OKY3062-5](#) [OKY3063](#) [OKY3221](#) [OKY3226](#) [OKY3230](#) [OKY3231](#) [OKY3231-1](#) [OKY3231-2](#)  
[OKY3231-3](#) [OKY3231-4](#) [OKY3231-5](#) [OKY3231-6](#) [OKY3231-7](#) [OKY3231-8](#) [OKY3235](#) [OKY3238](#) [OKY3239](#) [OKY3248-1](#) [OKY3248-2](#)  
[OKY3248-3](#) [OKY3252](#) [OKY3254](#) [OKY3254-1](#) [OKY3255](#) [3-AXIS DIGITAL ACCELEROMETER\(±1.5G\)](#) [3-AXIS DIGITAL ACCELEROMETER\(±16G\)](#) [6-AXIS ACCELEROMETER&GYROSCOPE](#) [9536](#)