

Rotary Position Sensor

PHS11R Series



Features:

- Dust proof construction protects the interior from dust, which maintains stable characteristics
- Excellent resistance materials and high reliability wiper achieves 1,000,000 cycles
- Ultra-thin size (2.2mm height)

Description:

The PHS11R series is a rotary position sensor that features dust proof construction, an ultra thin size, and a life cycle of 1 million cycles.

Applications:

- Rotary angle sensor
- Electric motor-driven bicycle
- Motor drive unit
- HVAC sensor

Electrical Characteristics	
$T_A = 25^\circ \text{C}$ unless otherwise noted	
Resistance Range	1K Ω to 100K Ω
Standard Resistance Tolerance	$\pm 20\%$
Rated Power	0.1W
Linearity (electrical angle < 180°)	$\pm 5\%$
Linearity (180° \leq electrical angle < 300°)	$\pm 3\%$
Linearity (electrical angle $\geq 300^\circ$)	$\pm 2\%$
Rotational noise	<80 mVp-p
Effective Electrical Angle	60° to 341° (see ordering information)
Effective Electrical Angle Tolerance	$\pm 2^\circ$
TCR	$\pm 500 \text{ ppm}/^\circ\text{C}$

General Note
TT Electronics reserves the right to make changes in product specification without notice or liability. All information is subject to TT Electronics' own data and is considered accurate at time of going to print.

© TT electronics plc

TT Electronics | BI Technologies
413 Rood RD, Suite 7 Calexico, CA 92231
Ph: + 1 (714) 447-2345
www.ttelectronics.com

Rev A 07/2023 Page 1

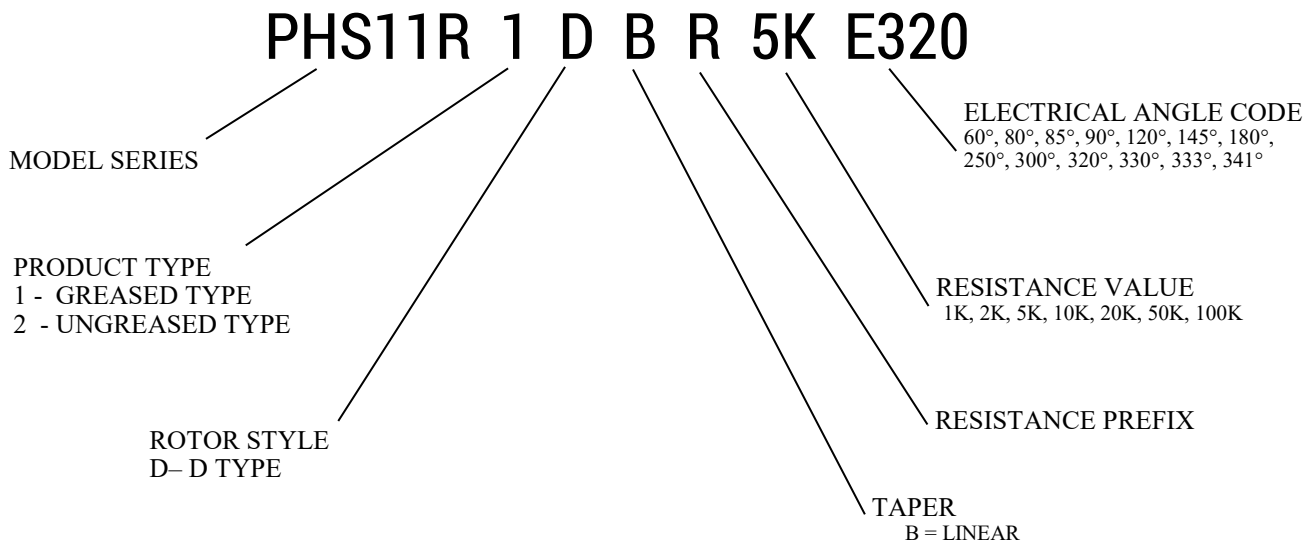
Rotary Position Sensor

PHS11R Series



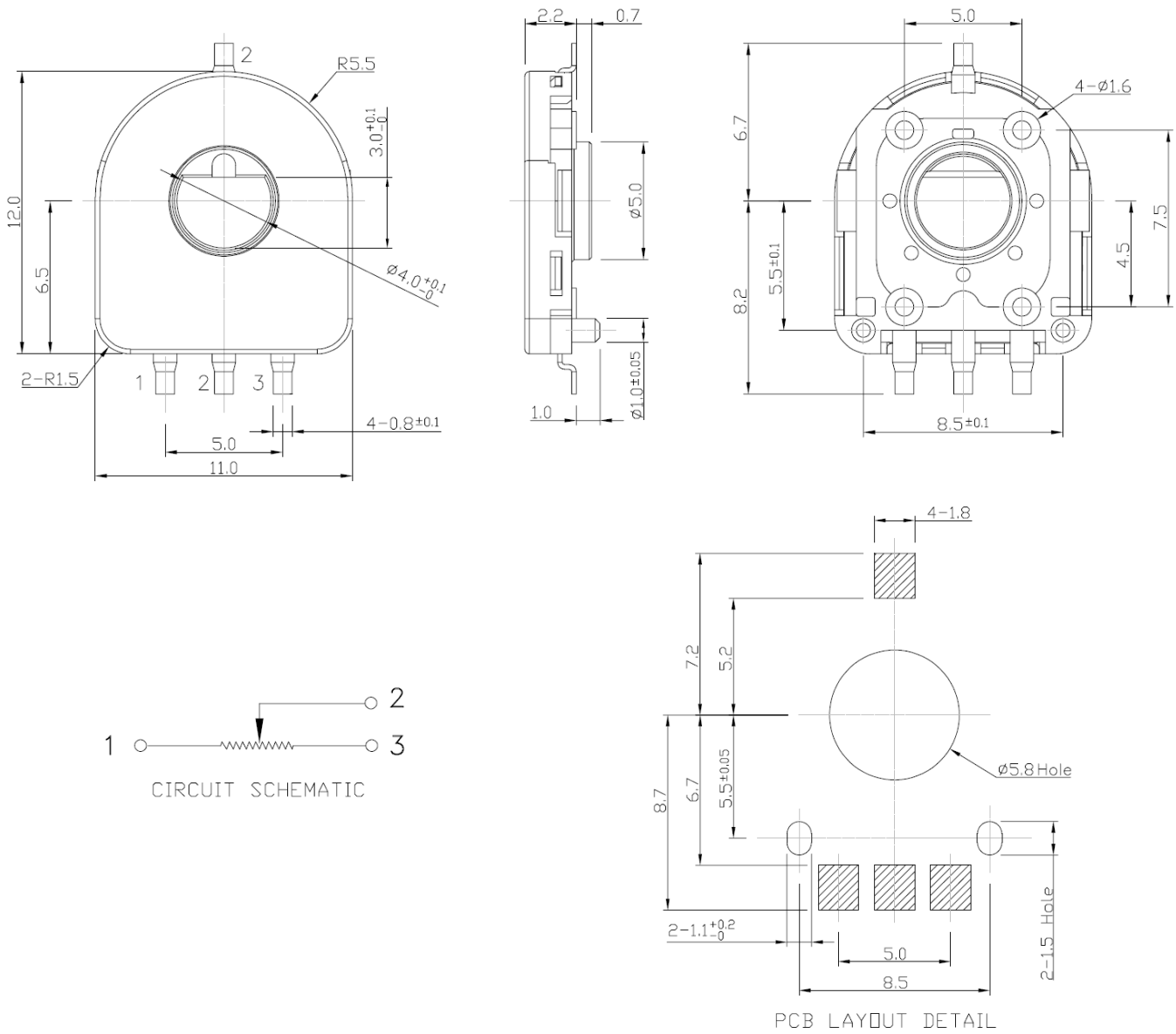
Mechanical Characteristics	
Rotational Angle	360°
Rotational torque	0-30gf-cm
Shaft push/pull strength	> 1.0kgf for 10 sec min
Storage Temperature	-40°C to +120°C
Operating Temperature	-40°C to +120°C
Life Cycles	1,000,000 cycles min Δ RT \pm 10% (Ungreased Type) Δ RT \pm 20% (Greased Type)
Dry Heat	120 \pm 3°C, 250 \pm 8H Δ RT \pm 20%, Linearity: \pm 2%
Cold	-40 \pm 3°C, 168 \pm 4H Δ RT \pm 20%, Linearity: \pm 2%
Humidity	60 \pm 2°C, 90 to 95RH, 250 \pm 8H Δ RT \pm 20%, Linearity: \pm 2%
Temperature Cycling	-40°C to +120°C, 5 cycles Δ RT \pm 20%, Linearity: \pm 2%

ORDERING INFORMATION



General Note
TT Electronics reserves the right to make changes in product specification without notice or liability. All information is subject to TT Electronics' own data and is considered accurate at time of going to print.

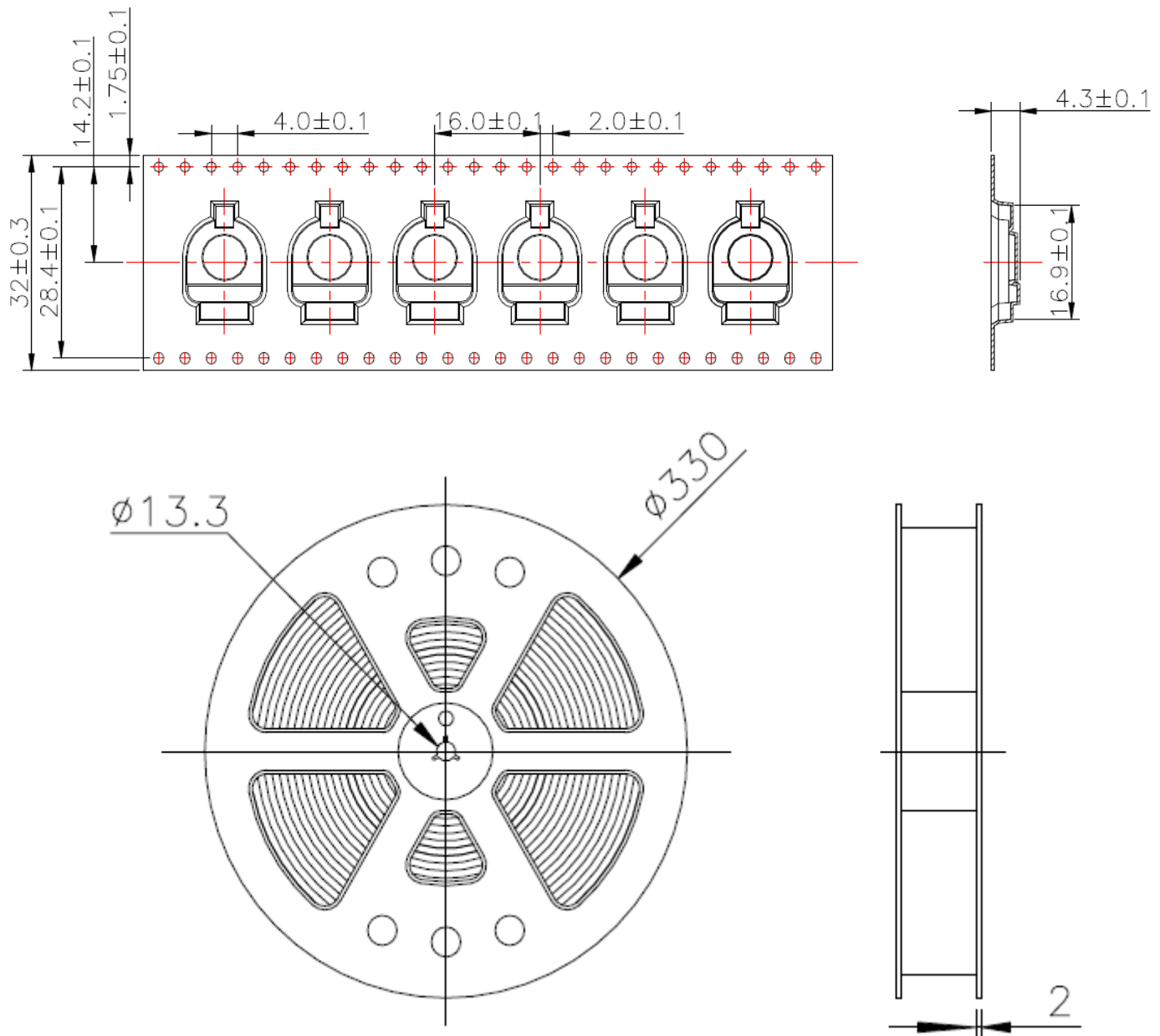
OUTLINE DRAWING



General Note
 TT Electronics reserves the right to make changes in product specification without notice or liability. All information is subject to TT Electronics' own data and is considered accurate at time of going to print.

TT Electronics | BI Technologies
 413 Rood RD, Suite 7 Calexico, CA 92231
 Ph: + 1 (714) 447-2345
www.ttelectronics.com

Packaging Detail: Tape & Reel, 1K per reel



General Note

TT Electronics reserves the right to make changes in product specification without notice or liability. All information is subject to TT Electronics' own data and is considered accurate at time of going to print.

X-ON Electronics

Largest Supplier of Electrical and Electronic Components

Click to view similar products for [Board Mount Motion & Position Sensors](#) category:

Click to view products by [TT Electronics](#) manufacturer:

Other Similar products are found below :

[6SS4](#) [F02008062](#) [9970-090-9J-SA](#) [MB060-N-221-A02](#) [MB090-N-221-A02](#) [RD602B014B](#) [RD602B016A](#) [S18-L262B-2](#) [MLX90340LDC-AAA-000-RE](#) [RDC1032A0F](#) [KTH5763AQ3DNE](#) [VCP1611](#) [MT6816CT-STD](#) [XYC-PIR203B-S0](#) [XYC-PIR224D-S0](#) [GH1496BUA](#) [GH1187](#) [MLX90316KDC-BCG-200-TU](#) [MLX90316KDC-BDG-100-RE](#) [ZSBG446671](#) [MTS-360-1A-C0000-ERA360-05E](#) [MLX90316KDC-BCG-000-RE](#) [AMN11111](#) [AMN24112](#) [AMN31111](#) [AMN31112](#) [AMN34112](#) [AMN34111](#) [AMN23111](#) [EKMB1303111K](#) [EKMB1293112](#) [RBS130100](#) [RBS130200](#) [EKMC1605111](#) [3382H-1-104](#) [EKMB1305111K](#) [EKMC1604112](#) [EKMB1305112K](#) [3382H-1-503](#) [EKMB1304113K](#) [EKMC1604111](#) [EKMC1693112](#) [EKMC1605112](#) [EKMB1305113K](#) [EKMC1606111](#) [G-MRCO-052](#) [OKY3062-4](#) [OKY3062-5](#) [OKY3226](#) [OKY3227](#)