

# Slim Slide Potentiometer

## PSS1 Series



### Features:

- Resistance range 1 k $\Omega$  to 1 M $\Omega$
- Temperature range -10°C to +70°C
- Rotational cycles of 15,000 minimum
- Single gang
- Center tap and detent options
- RoHS compliant

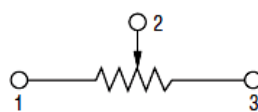


### Description:

Slim slide single gang potentiometer. Options include 20mm or 30 mm slide travel; center tap and center detent.

### Applications:

- Electric guitars
- Amplifiers
- Mixers
- Drum machines
- Synthesizers



SCHEMATIC

Single Gang

### 3D Model

Use this bounding box to place and size the 3D content. Cover this box entirely. If there is no 3D content for this product, delete the box.

## Electrical Characteristics

T<sub>A</sub> = 25°C unless otherwise noted

Resistance Range	1 k $\Omega$ to 1 M $\Omega$
Standard Resistance Tolerance	500 $\Omega$ < R < 1 M $\Omega$ : $\pm$ 20% R $\leq$ 500 $\Omega$ or R $\geq$ 1 M $\Omega$ : $\pm$ 30%
Residual Resistance	Term. 1~2: Less than 30 $\Omega$ Term: 2~3: Less than 50 $\Omega$
Resistance Taper	B,W
Maximum Operating Voltage	50 Vac/10 Vdc
Rated Power	0.025 W
Dielectric Strength	1 minute at 250 Vac
Sliding Noise	Less than 100 mV
Insulation Resistance	More than 100 M $\Omega$ at 250 Vdc
Gang Error (Dual Unit)	N/A

#### General Note

TT Electronics reserves the right to make changes in product specification without notice or liability. All information is subject to TT Electronics' own data and is considered accurate at time of going to print.

### Mechanical Characteristics

T<sub>A</sub> = 25°C unless otherwise noted

Slide Travel	20 mm, 30 mm
Operating Force	10 gf ~ 100 gf
Stopper Strength	3.0 kgf (from the base level to a point of 2mm)
Lever Deviation	30 ~ 150 gf
Lever Push-Pull Strength	3.0 kgf minimum at 10 seconds
Lever Wobble	2 (2XL)/20 mm (maximum) (L: level length both sides)
Operational Life	15,000 cycles minimum

### Environmental Characteristics

T<sub>A</sub> = 25°C unless otherwise noted

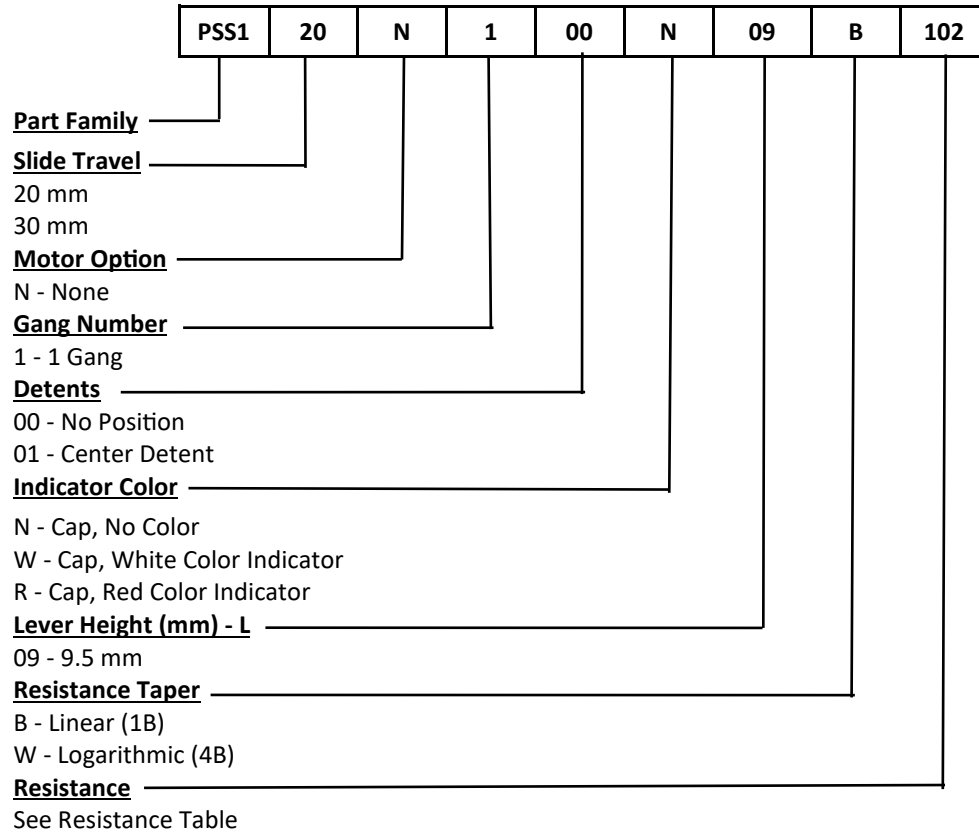
Operating Temperature	-10 °C to + 70 °C
IP Rating	IP 40
Soldering Condition	Wave Soldering 260 °C maximum for 1-3 seconds Hand Soldering 300° C maximum for 3 seconds
RoHS	Please refer to TT Electronics website
REACH	Please refer to TT Electronics website

# Slim Slide Potentiometer

## PSS1 Series



### Ordering Information



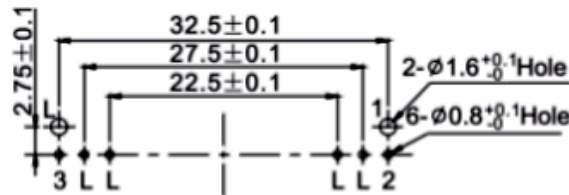
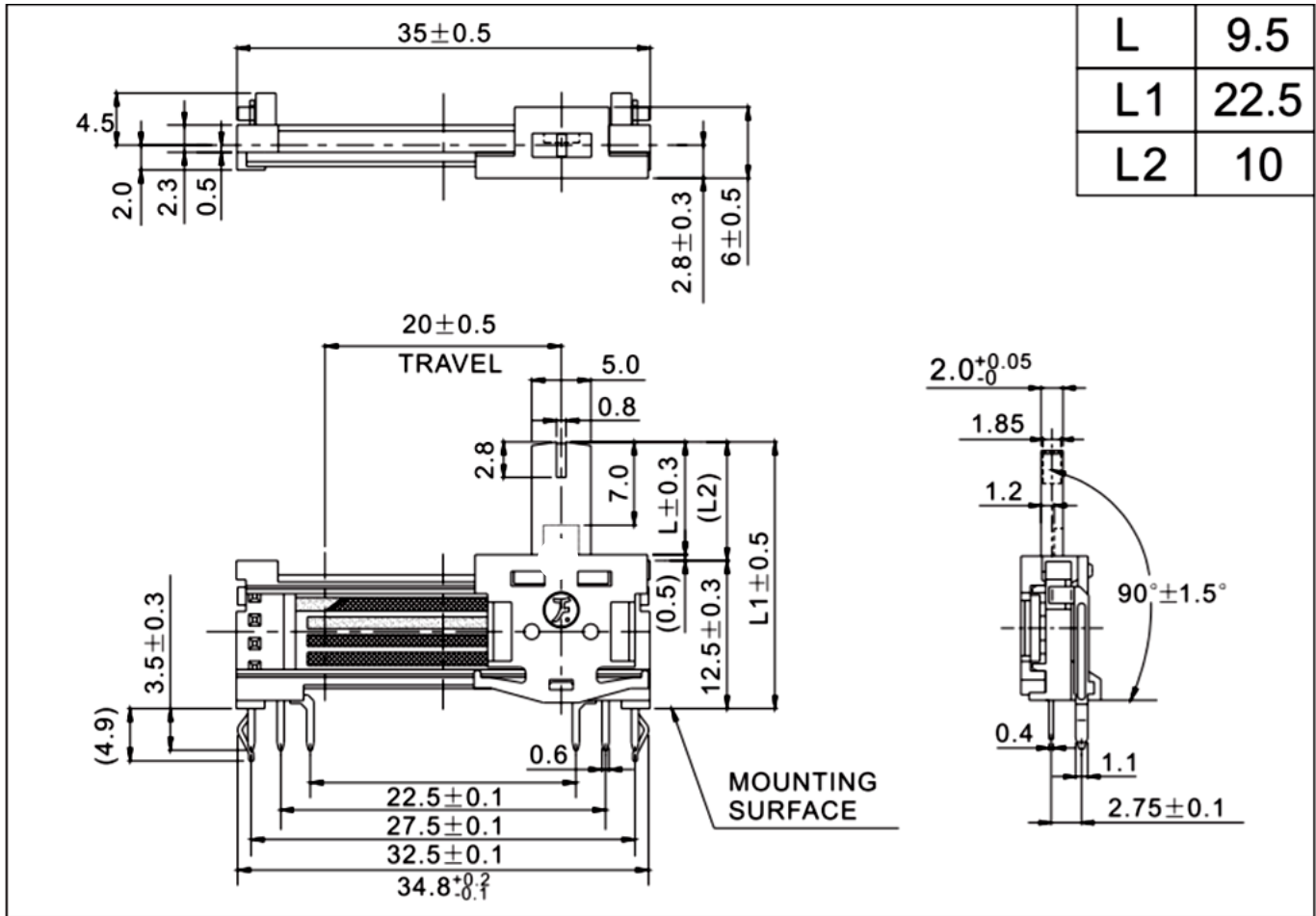
Resistance Table	
Resistance (Ohms)	Code
1,000	102
2,000	202
5,000	502
10,000	103
20,000	203
50,000	503
100,000	104
200,000	204
500,000	504
1,000,000	105

General Note  
 TT Electronics reserves the right to make changes in product specification without notice or liability. All information is subject to TT Electronics' own data and is considered accurate at time of going to print.

TT Electronics | BI Technologies  
 Circulo de la Amistad #102 PIMSA IV Mexicali B.C. Mexico C.P 21210  
 Ph: + 1 (714) 447-2345  
[www.ttelectronics.com/bi-technologies](http://www.ttelectronics.com/bi-technologies)

### Outline Drawings

#### 20 mm Travel



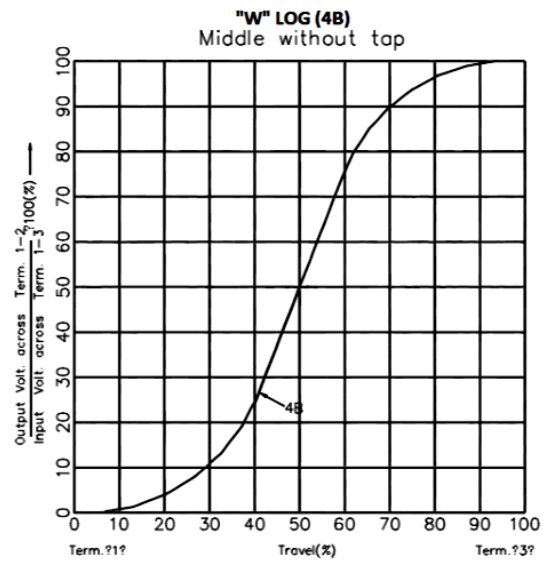
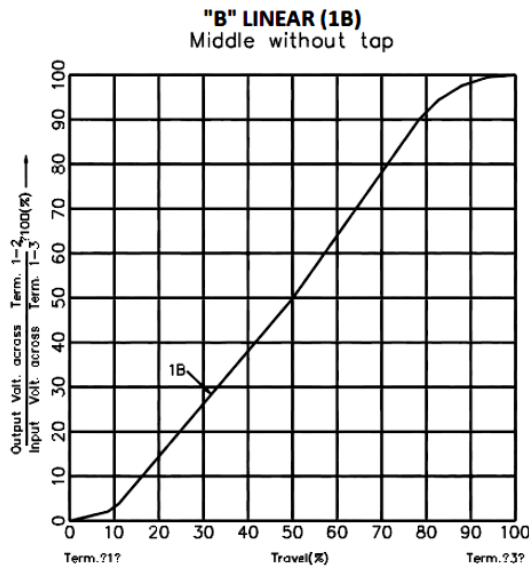
General Note  
 TT Electronics reserves the right to make changes in product specification without notice or liability. All information is subject to TT Electronics' own data and is considered accurate at time of going to print.

TT Electronics | BI Technologies  
 Circulo de la Amistad #102 PIMSA IV Mexicali B.C. Mexico C.P 21210  
 Ph: + 1 (714) 447-2345  
 www.ttelectronics.com/bi-technologies

Rev - 06/2019 Page 4

Document #: \_\_\_\_\_

### Standard Tapers



### Packaging

Standard Packaging	Plastic Trays
Hardware	N/A

## X-ON Electronics

Largest Supplier of Electrical and Electronic Components

*Click to view similar products for [Slide Potentiometers](#) category:*

*Click to view products by [TT Electronics](#) manufacturer:*

Other Similar products are found below :

[M22](#) [SS-4928](#) [RSA0K11A901L](#) [RA6020F-10-20D1-B50K](#) [RA4520F-10-20D1-B50K](#) [X22205CAAF](#) [RSA0N11B9A03](#) [448XC2103BDN](#)  
[K22208EAAG](#) [PS15-10PC1BR10K](#) [3048L-2-503](#) [MFP 211-N](#) [CDE23N-60-B10K](#) [CDE23N-60-B1K](#) [CDE23N-60-B50K](#) [1825160-1](#)  
[1825161-2](#) [1825257-1](#) [1825259-2](#) [1825261-2](#) [X22205AAAL](#) [PS100-2B1AR10K](#) [1825255-5](#) [PTA6044-2015CPB103](#) [PTA6044-2015CPB104](#)  
[PTA6044-2015CPA103](#) [PTA6044-2015CPA104](#) [PS100-1B1BR10K](#) [PTA3044-2015CPB504](#) [RS15H113CA05](#) [PS20-10PC1BR10K](#)  
[RS08U11AZ001](#) [RA4520F-10-20D1-B1K](#) [PTL30-15R0-104B2](#) [PTE60-202B-102B2](#) [PTA6044-2015DPB103](#) [RA6020F-10-20D1-B100K](#)  
[RA6020F-10-15F2-B2K](#) [RA4543F-20-15D1-B10K-01](#) [RA3043F-20-10EB1-A100K](#) [RA6043F-20-10EB1-A5K](#) [RA6020F-10-20D1-B250K](#)  
[RA6020F-10-15F2-B5K](#) [RA6020F-10-15F2-B1K](#) [RA00B1MF-10-08T1-JISB10K-016](#) [RA60K1F-10-13D1-B100K-011](#) [RA3043F-20-10EB1-](#)  
[A50K](#) [RA4520F-10-20D1-B5K](#) [SX254](#) [CDE23N-60-B5K](#)