

MODEL RB SERIES

1-13/16" Diameter

Analog

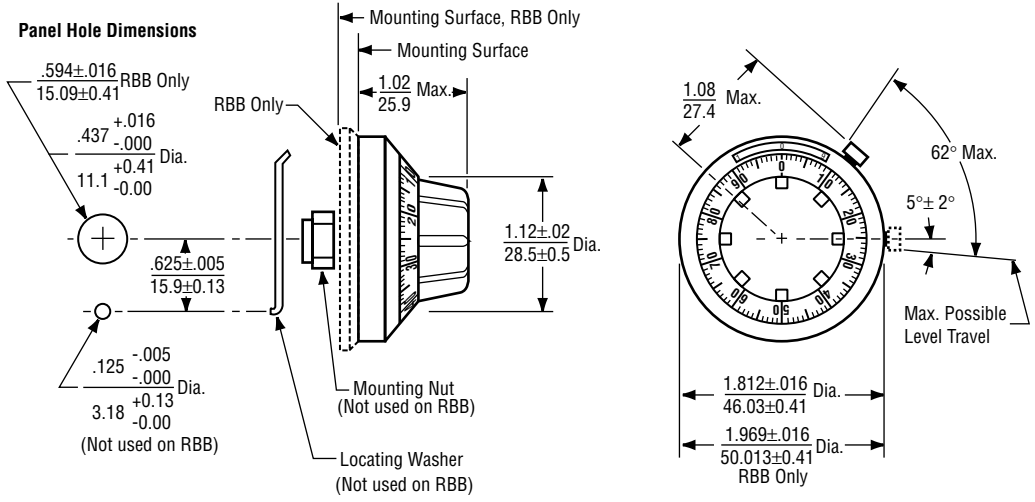
Turns Counting Dial



MODEL	RBB	RB	RBC
Counting Capacity, Maximum Turns	15		
For Shaft Diameter	1/4"		
For Bushing Diameter	1/2"	3/8"	
Depth: Maximum, From Face of Panel	1.17"	1.020"	
Shaft Extension:	Maximum, From Face of Panel	.937"	0.812"
	Minimum, From Face of Panel	.703"	0.562"
Bushing Extension: Maximum, From Face of Panel	.531"	0.406"	
Locking Mechanism	Positive Action		
Weight, Nominal	3.3 oz.	3.0 oz.	
Number of Set Screws	1		2
Numeral Height	0.100"		
Knob Material	Black Plastic		
Dial Finish	Black Numerals on Satin Chrome		
Housing Finish	Satin Chrome		
Operating Temperature Range	-55°C to +71°C		

	RBD	RBJ
Counting Capacity, Maximum Turns	15	
For Shaft Diameter	1/4"	1/8"
For Bushing Diameter	3/8"	1/4"
Depth: Maximum, From Face of Panel	1.020"	
Shaft Extension:	Maximum, From Face of Panel	0.812"
	Minimum, From Face of Panel	0.562"
Bushing Extension: Maximum, From Face of Panel	0.406"	0.297"
Locking Mechanism	Positive Action	
Weight, Nominal	3.0 oz.	
Number of Set Screws	1	
Numeral Height	0.100"	
Knob Material	Black Plastic	
Dial Finish	White Numerals on Black Matte	Black Numerals on Satin Chrome
Housing Finish	Black Matte	Satin Chrome
Operating Temperature Range	-55°C to +71°C	

OUTLINE DIMENSIONS (Inch/mm)



DIMENSIONS	
← INCH →	← mm →
THIRD ANGLE PROJECTION	

Specifications subject to change without notice.

X-ON Electronics

Largest Supplier of Electrical and Electronic Components

Click to view similar products for [Knobs & Dials](#) category:

Click to view products by [TT Electronics](#) manufacturer:

Other Similar products are found below :

[790-1030](#) [790-1202](#) [790-2226](#) [8519](#) [8529](#) [8547](#) [85-559](#) [8573](#) [11K5015-EMNB](#) [11K5019-ECNB](#) [11K5020-KLAB](#) [11K5048-KMNB](#)
[11K5014-EMNB](#) [11K5015-EMNG](#) [11K5019-EMNB](#) [MS91528-2N2B](#) [1770](#) [P400S-08-D6-N](#) [K6510](#) [KNP700A1/4](#) [3045B](#) [AR22PY-122B](#)
[PKJ50B18](#) [277A](#) [348003](#) [42000B38](#) [420114B14](#) [5006](#) [56008-001](#) [KS700B14](#) [411](#) [420037B14](#) [WA-101C-P](#) [WA-102B](#) [WA-103](#) [WA-109B](#)
[WA-1450-P](#) [WA-1550](#) [WA-1600-P](#) [WA-2300](#) [WA-4100](#) [WA-4108-P](#) [0166736-006](#) [0195316-052](#) [0703006-003](#) [0744386-211](#) [52-928.20](#)
[52-928.9](#) [8517](#) [8545](#)