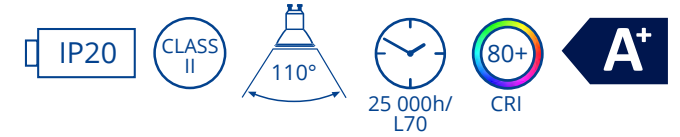




Start Downlight G2

Start Downlight G2

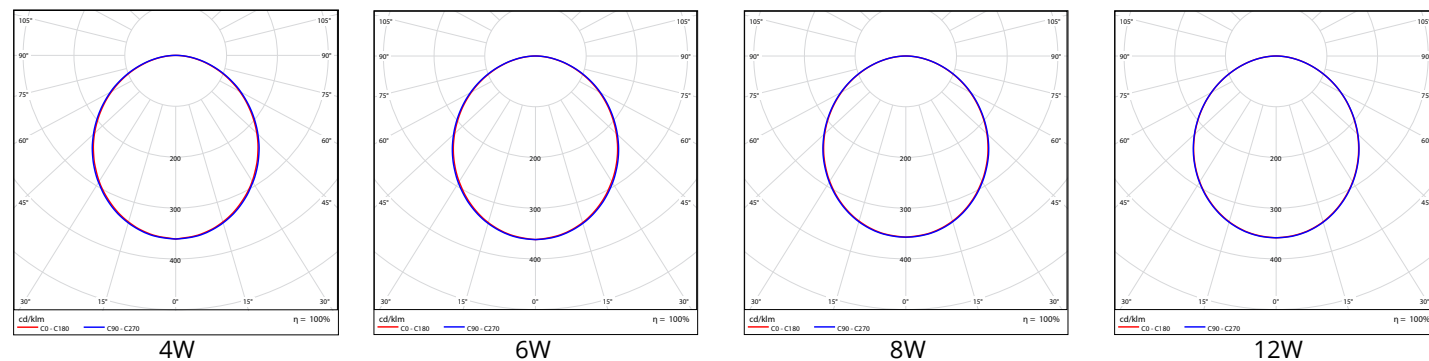
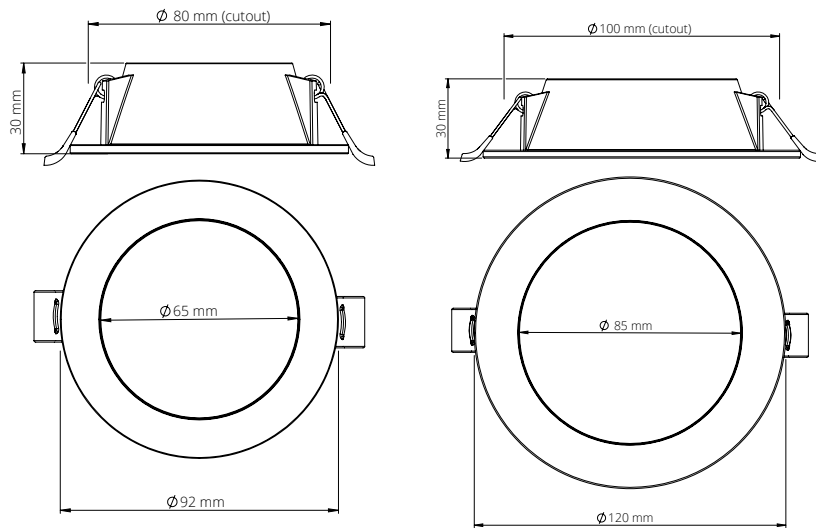


Tungsum introduces the range of Start Downlight Gen2. A selection of sizes and colour temperature options will meet customer requirements. The discrete pattern fits in every indoor environment while lightweight design allows quick and easy installation into new construction.



Benefits

- Ultimate weight max 0.10 kg
- Colour temperatures: 4000 and 6500K
- Colour rendering index: CRI 80+
- IP20 ingress protection
- Available in more lumen versions up to 900 lm
- Simple recessed mounting in the ceiling
- Luminaire storage: -40°C to +60°C



| Product Description | Tungsum Product Code | Wattage (W) | Lumen (lm) | CCT (K) | System Efficiency (lm/W) | Dimensions (mm) | Weight (kg) | Pack Qty |
|---|----------------------|-------------|------------|---------|--------------------------|-----------------|-------------|----------|
| Start Downlight G2 - Static driver | | | | | | | | |
| LED Downlight Start TU G2 3" 4W 840 | 93110642 | 4 | 320 | 4000 | 80 | Ø92x30 | 0.06 | 1 |
| LED Downlight Start TU G2 3" 4W 865 | 93110627 | 4 | 320 | 6500 | 80 | Ø92x30 | 0.06 | 1 |
| LED Downlight Start TU G2 3" 6W 840 | 93110628 | 6 | 450 | 4000 | 75 | Ø92x30 | 0.067 | 1 |
| LED Downlight Start TU G2 3" 6W 865 | 93110629 | 6 | 450 | 6500 | 75 | Ø92x30 | 0.067 | 1 |
| LED Downlight Start TU G2 4" 8W 840 | 93110630 | 8 | 640 | 4000 | 80 | Ø120x30 | 0.087 | 1 |
| LED Downlight Start TU G2 4" 8W 865 | 93110631 | 8 | 640 | 6500 | 80 | Ø120x30 | 0.087 | 1 |
| LED Downlight Start TU G2 4" 12W 840 | 93110632 | 12 | 900 | 4000 | 75 | Ø120x30 | 0.098 | 1 |
| LED Downlight Start TU G2 4" 12W 865 | 93110633 | 12 | 900 | 6500 | 75 | Ø120x30 | 0.098 | 1 |



X-ON Electronics

Largest Supplier of Electrical and Electronic Components

Click to view similar products for [LED Replacement Lamps - Based LEDs](#) category:

Click to view products by [TUNGSRAM](#) manufacturer:

Other Similar products are found below :

[LAPD-1A](#) [LAPD-1R](#) [LAPD-2R](#) [LAPD-6W](#) [LSTD-M4S](#) [SSP-1156B153S12](#) [SSP-1157B156U12](#) [SSP-LXS110818BA](#) [560-0101F](#) [560-0103F](#)
[LAPD-1W](#) [LAPD-6R](#) [560-0104F](#) [585-1113](#) [SSP-LXC1283S24](#) [SSP-3MB96U12G](#) [SLL-05EY](#) [1.90.690.684/0000](#) [560-0203F](#) [586-2206-](#)
[205F](#) [SSP-LXS1826U16A](#) [LATD-2JW](#) [24LS4-G1](#) [24LS4-R1](#) [MF200-NFW5H](#) [MB403-W60-CW-BP](#) [1819LS2-G-CG](#) [387LP-B](#) [387LP-W](#)
[6S6LS155-CWR](#) [130MBLS-G-CG](#) [5000404LAMP](#) [E10SB12A](#) [E10SB130A](#) [E10SB24A](#) [E10SG12A](#) [E10SG130A](#) [E10SR12A](#) [E10SR130A](#)
[E10SW12A](#) [E10SY12A](#) [E10SY130A](#) [6S6LS130-CWW](#) [MF200-BCG12H](#) [MF200-NFR5H](#) [24L4-B1](#) [120PSBL-NWW](#) [MF200-NKG120](#)
[5SB-NFG24H](#) [MF200C-NFW28H](#)