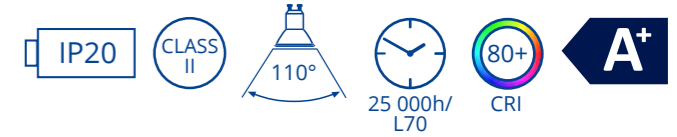




Start Downlight G2

Start Downlight G2

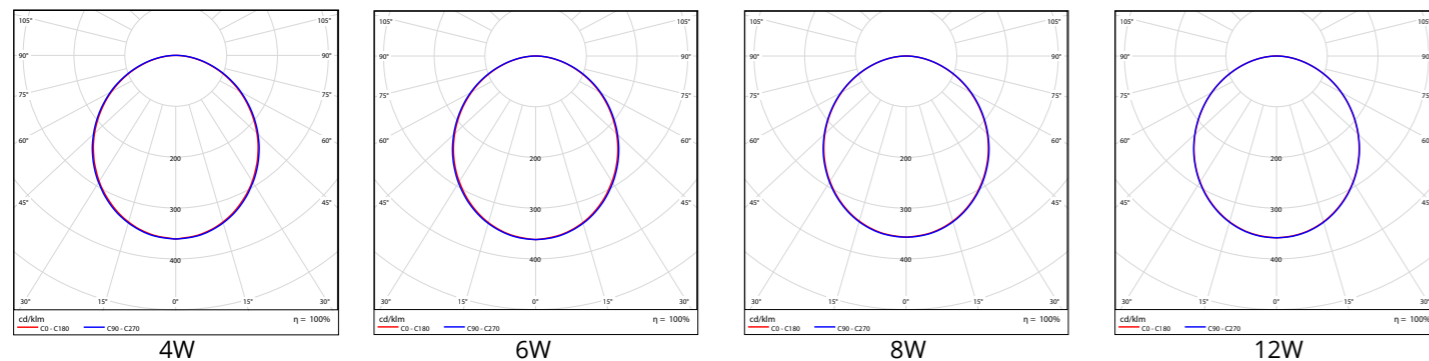
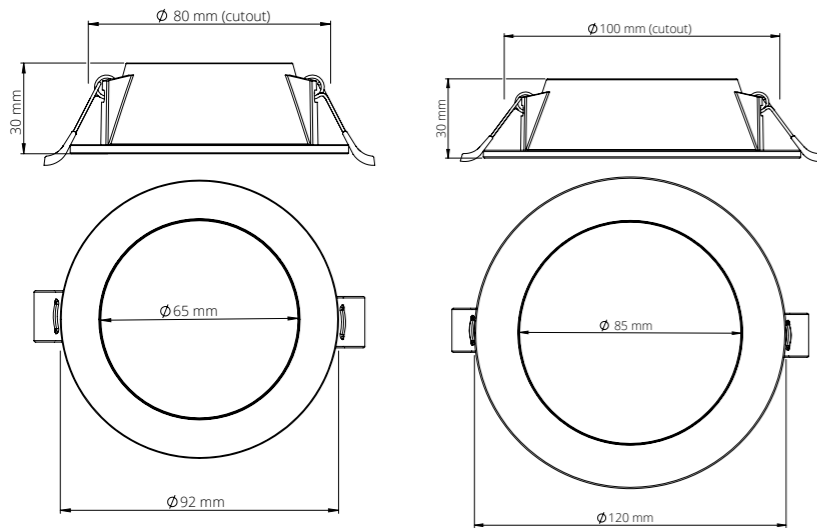


Tungram introduces the range of Start Downlight Gen2. A selection of sizes and colour temperature options will meet customer requirements. The discrete pattern fits in every indoor environment while lightweight design allows quick and easy installation into new construction.



Benefits

- Ultimate weight max 0.10 kg
- Colour temperatures: 4000 and 6500K
- Colour rendering index: CRI 80+
- IP20 ingress protection
- Available in more lumen versions up to 900 lm
- Simple recessed mounting in the ceiling
- Luminaire storage: -40°C to +60°C



Product Description	Tungram Product Code	Wattage (W)	Lumen (lm)	CCT (K)	System Efficiency (lm/W)	Dimensions (mm)	Weight (kg)	Pack Qty
Start Downlight G2 - Static driver								
LED Downlight Start TU G2 3" 4W 840	93110642	4	320	4000	80	Ø92x30	0.06	1
LED Downlight Start TU G2 3" 4W 865	93110627	4	320	6500	80	Ø92x30	0.06	1
LED Downlight Start TU G2 3" 6W 840	93110628	6	450	4000	75	Ø92x30	0.067	1
LED Downlight Start TU G2 3" 6W 865	93110629	6	450	6500	75	Ø92x30	0.067	1
LED Downlight Start TU G2 4" 8W 840	93110630	8	640	4000	80	Ø120x30	0.087	1
LED Downlight Start TU G2 4" 8W 865	93110631	8	640	6500	80	Ø120x30	0.087	1
LED Downlight Start TU G2 4" 12W 840	93110632	12	900	4000	75	Ø120x30	0.098	1
LED Downlight Start TU G2 4" 12W 865	93110633	12	900	6500	75	Ø120x30	0.098	1



X-ON Electronics

Largest Supplier of Electrical and Electronic Components

Click to view similar products for [LED Replacement Lamps - Based LEDs](#) category:

Click to view products by [TUNGSRAM](#) manufacturer:

Other Similar products are found below :

[LAPD-1A](#) [LAPD-1R](#) [LAPD-2R](#) [LAPD-6W](#) [LSTD-M4S](#) [SSP-1156B153S12](#) [SSP-1157B156U12](#) [SSP-LXS110818BA](#) [560-0101F](#) [560-0103F](#)
[LAPD-1W](#) [LAPD-6R](#) [560-0104F](#) [585-1113](#) [SSP-LXC1283S24](#) [SSP-3MB96U12G](#) [SLL-05EY](#) [1.90.690.684/0000](#) [560-0203F](#) [586-2206-205F](#) [SSP-LXS1826U16A](#) [LATD-2JW](#) [24LS4-G1](#) [24LS4-R1](#) [MF200-NFW5H](#) [MB403-W60-CW-BP](#) [1819LS2-G-CG](#) [387LP-R](#) [387LP-B](#)
[387LP-W](#) [387LP-G](#) [6S6LS155-CWR](#) [130MBLS-G-CG](#) [5000404LAMP](#) [E10SB12A](#) [E10SB130A](#) [E10SB24A](#) [E10SG12A](#) [E10SG130A](#)
[E10SR12A](#) [E10SR130A](#) [E10SW12A](#) [E10SY12A](#) [E10SY130A](#) [6S6LS130-CWW](#) [MF200-BCG12H](#) [MF200-NFR5H](#) [24L4-B1](#) [120PSBL-NWW](#) [MF200-NKG120](#)