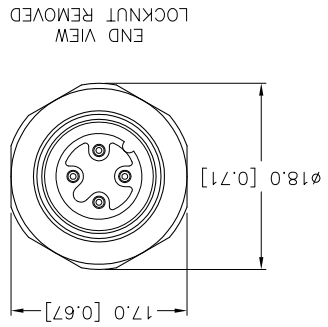
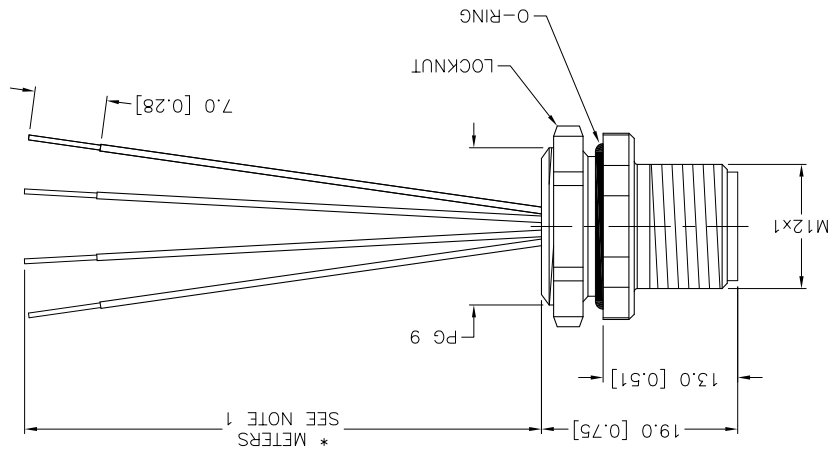
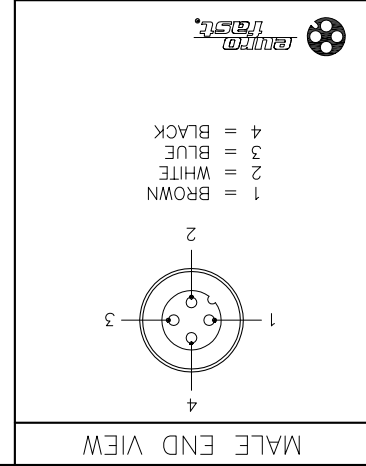


REV	DESCRIPTION	BY	DATE	ECO NO.
C	DRAWING PROCESSED AS PART OF ECO 33971	CBM	04/06/11	33971
1. "*" INDICATES LEAD LENGTH IN METERS. CONTACT TURCK TO ORDER SPECIFIC LENGTHS.				
NOTES:				
MATERIAL SEE SPECIFICATIONS FINISH SEE SPECIFICATIONS SEE SPECIFICATIONS				
ALL DIMENSIONS DISPLAYED ON THIS DRAWING ARE FOR REFERENCE ONLY CONTACT TURCK FOR MORE INFORMATION				
MILLIMETER [INCH] UNIT OF MEASUREMENT		DO NOT SCALE THIS DRAWING FILE: 77700210		
DRAFT JBU DATE 03/13/01		IDENTIFICATION NO. REV		
DSGN SCALE 1=.8		DESCRIPTION FS 4.4-*		
THIS DRAWING IS PROPERTY OF TURCK INC. USE OF THIS DOCUMENT WITHOUT WRITTEN PERMISSION IS PROHIBITED.		HIGH TECHNOLOGY SENSORS AND AUTOMATION CONTROLS TURCK INC. MINNEAPOLIS, MN 55441 1-800-544-7769 (763) 553-7300 (763) 553-0708 fax turck.com		
3RD ANGLE PROJECTION		RELATED DOCUMENTS		
1. 2. 3. 4.		1. 2. 3. 4.		

CABLE LENGTH	TOLERANCE	STRIP LENGTH	TOLERANCE
ALL LENGTHS	+ 4% (OR 50mm) OF LENGTH - 0% (OR 0mm) OF LENGTH WHICHEVER IS GREATER	0-7mm	±0.5mm
		8-29mm	±1.0mm
		30-49mm	±2.0mm
		50-69mm	±3.0mm
		70-100mm	±4.0mm
		OVER 100mm	±5.0mm



SPECIFICATIONS	
CONTACT CARRIER MATERIAL	NYLON OR TPU
CONTACT MATERIAL/PLATING	BRASS/GOLD
HOUSING/LOCKNUT MATERIAL/PLATING	BRASS/NICKEL
O-RING MATERIAL	NITRILE
RATED CURRENT [A]	4.0 A
RATED VOLTAGE [V]	250 V
CONDUCTOR INSULATION MATERIAL	PVC
NUMBER OF CONDUCTORS [AWG]	4x22 AWG
TEMPERATURE RANGE	-40°C to +105°C (-40°F to +221°F)
PROTECTION CLASS	MEETS NEMA 1,3,4,6P AND IEC IP68



SOURCE DRAWING - FOR REFERENCE ONLY

X-ON Electronics

Largest Supplier of Electrical and Electronic Components

Click to view similar products for [Turck manufacturer](#):

Other Similar products are found below :

[BI10-M30-AP6X-H1141](#) [BI2-G12-AZ33X-7M](#) [BS4151-0/13.5](#) [NI12U-G18-ADZ30X2-B1331](#) [NI12U-M18-AN4X](#) [BI1.5-G08K-AN6X](#) [BI5-G18-AZ3X](#) [BI5-G18-AZ3X-B1331-50MM](#) [VB20](#) [BI 2-EG08K-AP6X-V1131](#) [BMWS 8151-0/9](#) [BI30U-CK40-AP6X2-H1141](#) [NI4U-EG08-AN6X-H1341](#) [C7-A20DX/012VDC](#) [NI5-G12-AP6X-H1141](#) [NI14-G18-ADZ30X2](#) [BI5-G18-Y0](#) [BI2-G08-AN6X](#) [RK40-2M](#) [BI5-G18-AP6X-B1441/S34](#) [FK 4.4-0.5](#) [RSM FKM RKM 57](#) [B 4241-0/9](#) [RI360P0-QR24M0-INCRX2-H1181](#) [BCF5-S18-RP4X/S90](#) [BI5-M18-AZ3X/S120](#) [NIMFE-M12/4.6L88-UP6X-H1141](#) [PT-30HG-13-LI3-H1131](#) [NI35U-CK40-ADZ30X2-B3131](#) [W/BS4](#) [WK 4.5T-2/S618](#) [NI12U-M18-AP6X-H1141](#) [NI12U-MT18-AP4X-H1141](#) [BI1.5-EG08-AP6X-H1341](#) [BC 5-Q08-AP6X2-V1131](#) [BI8U-Q10-AP6X2-V1131](#) [CT 2-A30/M](#) [C2-A20DX/024VDC](#) [FCS-N1/2A4P-AP8X-H1141](#) [B1N360V-Q20L60-2LU3-H1151](#) [CMBS 8141-0](#) [BI10-M30-AN6X-H1141](#) [CMB 8151-0](#) [RK 4T-10](#) [VB80-P7X9-8/CS12](#) [RK 4T-6](#) [FKFD 8](#) [NI3-EG08K-Y1-H1341](#) [RK 4.4T-10](#) [BI5-M18-Y0X-H1141](#) [BI10U-Q14-AP6X2-V1131](#)