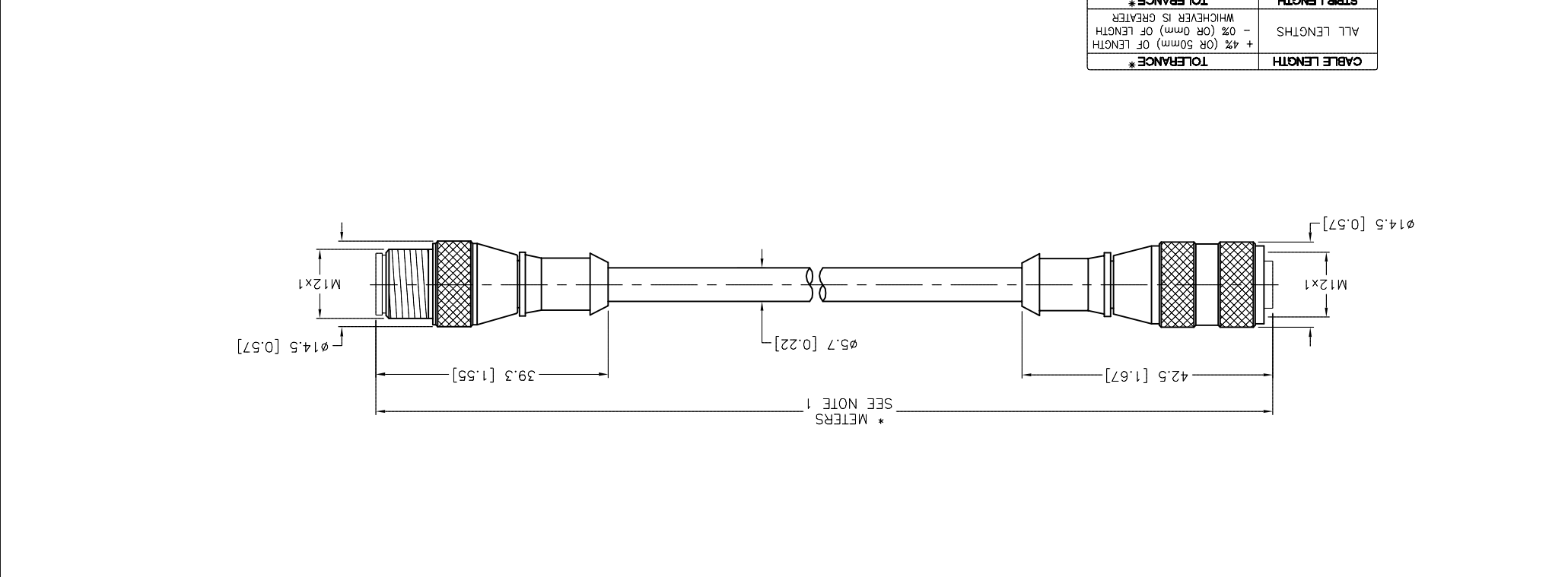
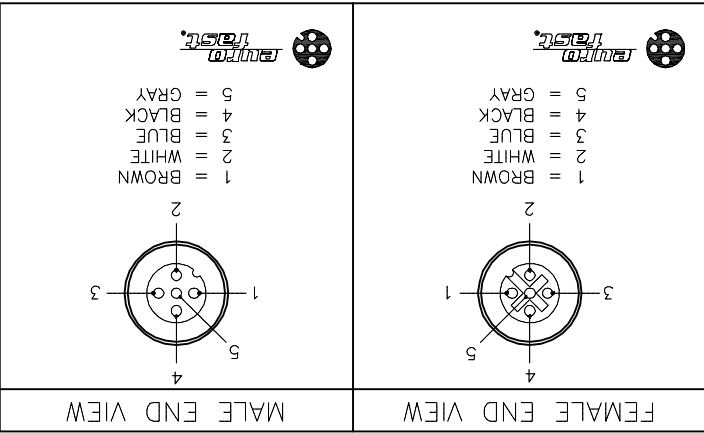


REV	DESCRIPTION	BY	DATE	ECO NO.																				
E	DRAWING PROCESSED AS PART OF ECO 33971	CBM	04/06/11	33971																				
<p>1. "*" INDICATES CABLE LENGTH IN METERS. CONTACT TURCK TO ORDER SPECIFIC LENGTHS.</p> <p>NOTES:</p> <table border="1"> <tr> <th>CABLE LENGTH</th> <th>TOLERANCE *</th> </tr> <tr> <td>+ 4% (OR 50mm) OF LENGTH</td> <td>- 0% (OR 0mm) OF LENGTH</td> </tr> <tr> <td colspan="2">WHICHEVER IS GREATER</td> </tr> <tr> <th>STRIP LENGTH</th> <th>TOLERANCE *</th> </tr> <tr> <td>0-7mm</td> <td>±0.5mm</td> </tr> <tr> <td>8-29mm</td> <td>±1.0mm</td> </tr> <tr> <td>30-49mm</td> <td>±2.0mm</td> </tr> <tr> <td>50-69mm</td> <td>±3.0mm</td> </tr> <tr> <td>70-100mm</td> <td>±4.0mm</td> </tr> <tr> <td>OVER 100mm</td> <td>±5.0mm</td> </tr> </table>					CABLE LENGTH	TOLERANCE *	+ 4% (OR 50mm) OF LENGTH	- 0% (OR 0mm) OF LENGTH	WHICHEVER IS GREATER		STRIP LENGTH	TOLERANCE *	0-7mm	±0.5mm	8-29mm	±1.0mm	30-49mm	±2.0mm	50-69mm	±3.0mm	70-100mm	±4.0mm	OVER 100mm	±5.0mm
CABLE LENGTH	TOLERANCE *																							
+ 4% (OR 50mm) OF LENGTH	- 0% (OR 0mm) OF LENGTH																							
WHICHEVER IS GREATER																								
STRIP LENGTH	TOLERANCE *																							
0-7mm	±0.5mm																							
8-29mm	±1.0mm																							
30-49mm	±2.0mm																							
50-69mm	±3.0mm																							
70-100mm	±4.0mm																							
OVER 100mm	±5.0mm																							
<p>RELATED DOCUMENTS</p> <p>1. FINISH</p> <p>2. SEE SPECIFICATIONS</p> <p>3. SEE SPECIFICATIONS</p> <p>4. ALL DIMENSIONS DISPLAYED ON THIS DRAWING ARE FOR REFERENCE ONLY</p> <p>5. CONTACT TURCK FOR MORE INFORMATION</p>																								
<p>MATERIAL</p> <p>1. DRAFT</p> <p>2. CBM</p> <p>3. DATE 10/09/00</p> <p>4. UNIT OF MEASUREMENT</p> <p>5. MILLIMETER [INCH]</p>																								
<p>PROJECTION</p> <p>3RD ANGLE</p> <p>THIS DRAWING IS CONFIDENTIAL AND THE PROPERTY OF TURCK INC. USE OF THIS DOCUMENT WITHOUT WRITTEN PERMISSION IS PROHIBITED.</p>																								
<p>DESCRIPTION</p> <p>RK 4.5T-*--RS 4.5T</p> <p>IDENTIFICATION NO.</p> <p>REV E</p> <p>FILE: 777000630</p> <p>SHEET 1 OF 1</p>																								

SOURCE DRAWING - FOR REFERENCE ONLY



SPECIFICATIONS	
CONTACT CARRIER MATERIAL	NYLON OR TPU
MOLDED HEAD MATERIAL/COLOR	TPU/YELLOW
CONTACT MATERIAL/PLATING	BRASS/GOLD
COUPLING NUT MATERIAL/PLATING	BRASS/NICKEL
RATED CURRENT [A]	4.0 A
RATED VOLTAGE [V]	250 V
OUTER JACKET MATERIAL/COLOR	PVC/GRAY
CONDUCTOR INSULATION MATERIAL	PVC
NUMBERS OF CONDUCTORS [AWG]	5x22 AWG
TEMPERATURE RANGE	-40°C to +105°C (-40°F to +221°F)
PROTECTION CLASS	NEMA 1,3,4,6P AND IEC IP68, IP69K



X-ON Electronics

Largest Supplier of Electrical and Electronic Components

Click to view similar products for [Turck manufacturer](#):

Other Similar products are found below :

[BI10-M30-AP6X-H1141](#) [BI2-G12-AZ33X-7M](#) [BS4151-0/13.5](#) [NI12U-G18-ADZ30X2-B1331](#) [NI12U-M18-AN4X](#) [BI1.5-G08K-AN6X](#) [BI5-G18-AZ3X](#) [BI5-G18-AZ3X-B1331-50MM](#) [VB20](#) [BI 2-EG08K-AP6X-V1131](#) [BMWS 8151-0/9](#) [BI30U-CK40-AP6X2-H1141](#) [NI4U-EG08-AN6X-H1341](#) [C7-A20DX/012VDC](#) [NI5-G12-AP6X-H1141](#) [NI14-G18-ADZ30X2](#) [BI5-G18-Y0](#) [BI2-G08-AN6X](#) [RK40-2M](#) [BI5-G18-AP6X-B1441/S34](#) [FK 4.4-0.5](#) [RSM FKM RKM 57](#) [B 4241-0/9](#) [RI360P0-QR24M0-INCRX2-H1181](#) [BCF5-S18-RP4X/S90](#) [BI5-M18-AZ3X/S120](#) [NIMFE-M12/4.6L88-UP6X-H1141](#) [PT-30HG-13-LI3-H1131](#) [NI35U-CK40-ADZ30X2-B3131](#) [W/BS4](#) [WK 4.5T-2/S618](#) [NI12U-M18-AP6X-H1141](#) [NI12U-MT18-AP4X-H1141](#) [BI1.5-EG08-AP6X-H1341](#) [BC 5-Q08-AP6X2-V1131](#) [BI8U-Q10-AP6X2-V1131](#) [CT 2-A30/M](#) [C2-A20DX/024VDC](#) [FCS-N1/2A4P-AP8X-H1141](#) [B1N360V-Q20L60-2LU3-H1151](#) [CMBS 8141-0](#) [BI10-M30-AN6X-H1141](#) [CMB 8151-0](#) [RK 4T-10](#) [VB80-P7X9-8/CS12](#) [RK 4T-6](#) [FKFD 8](#) [NI3-EG08K-Y1-H1341](#) [RK 4.4T-10](#) [BI5-M18-Y0X-H1141](#) [BI10U-Q14-AP6X2-V1131](#)