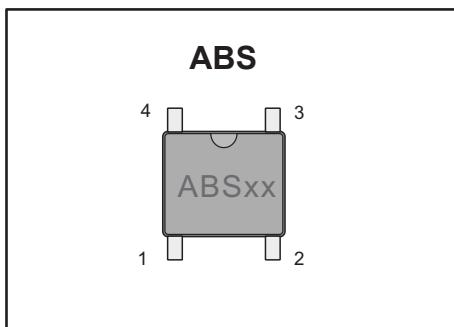


SINGLE PHASE GLASS PASSIVATED BRIDGE RECTIFIERS

PINNING

PIN	DESCRIPTION
1	Input Pin (~)
2	Input Pin (~)
3	Output Anode (+)
4	Output Cathode (-)



Features

- ◆ The plastic package carries Underwriters Laboratory Flammability Classification 94V-0
- ◆ Idea for printed circuit board
- ◆ Glass passivated Junction chip
- ◆ Low reverse leakage
- ◆ High forward surge current capability
- ◆ High temperature soldering guaranteed 250°C/10 seconds at terminals

Mechanical Data

- ◆ **Case:** Molded plastic body
- ◆ **Terminals:** Solder plated, solderable per MIL-STD-750, Method 2026
- ◆ **Polarity:** Polarity symbol marking on body
- ◆ **Mounting Position:** Any
- ◆ **Weight :** 0.004 ounce, 0.12 grams

Maximum Ratings And Electrical Characteristics

Ratings at 25°C ambient temperature unless otherwise specified. Single phase half-wave 60Hz, resistive or inductive load, for capacitive load current derate by 20%.

Parameter	SYMBOLS	ABS22	ABS24	ABS26	ABS28	ABS210	UNITS
Maximum repetitive peak reverse voltage	V_{RRM}	200	400	600	800	1000	VOLTS
Maximum RMS voltage	V_{RMS}	140	280	420	560	700	VOLTS
Maximum DC blocking voltage	V_{DC}	200	400	600	800	1000	VOLTS
Maximum average forward rectified current at $T_A=30^\circ C$ On glass-epoxy P.C.B (Note 1)	$I_{(AV)}$	2.0					Amp
Peak forward surge current 8.3ms single half sine-wave superimposed on rated load (JEDEC Method)	I_{FSM}	50.0					Amps
Maximum instantaneous forward voltage at 2.0A	V_F	1.1					Volts
Maximum DC reverse current $T_A = 25^\circ C$ at rated DC blocking voltage $T_A = 125^\circ C$	I_R	5.0 500					μA
Typical junction capacitance (Note 3)	C_J	15.0					pF
Typical thermal resistance	R_{qJA}	75.0					$^\circ C/W$
Operating junction and storage temperature range	T_J, T_{STG}	-55 to +150					$^\circ C$

- Note:**
1. Mounted on glass epoxy PC board with 1.3*1.3mm solder pad
 2. Mounted on aluminum substrate PC board with 1.3*1.3mm solder pad
 3. Measured at 1MHz and applied reverse voltage of 4.0V D.C.

FIG. 1- DERATING CURVE OUTPUT RECTIFIED CURRENT

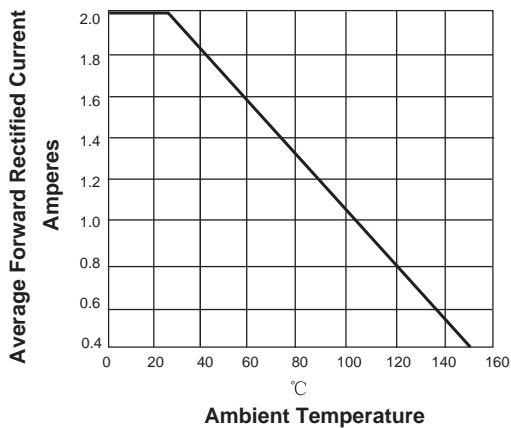


FIG. 2-MAXIMUM NON-REPETITIVE PEAK FORWARD SURGE CURRENT PERLEG

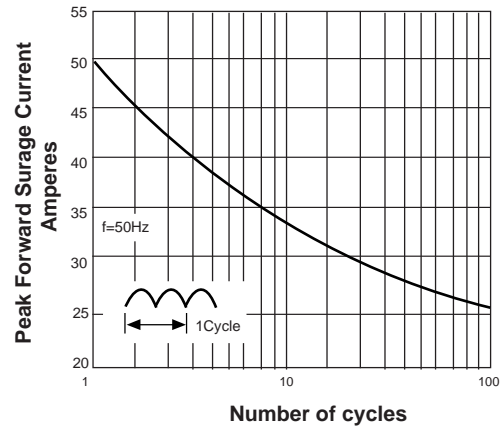


FIG. 3-TYPICAL FORWARD VOLTAGE CHARACTERISTICS

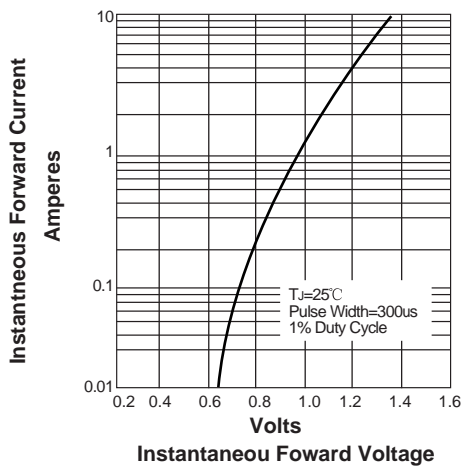


FIG. 4-TYPICAL REVERSE LEAKAGE CHARACTERISTICS

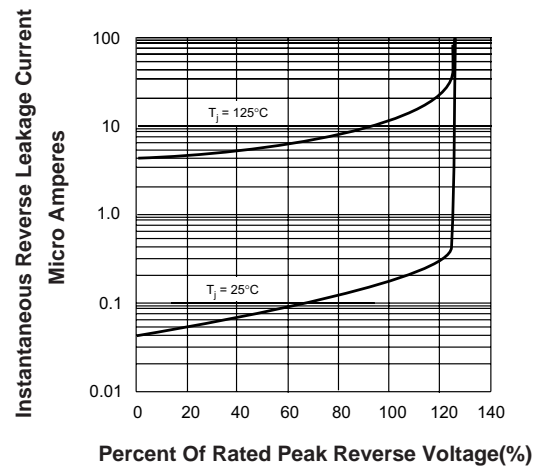
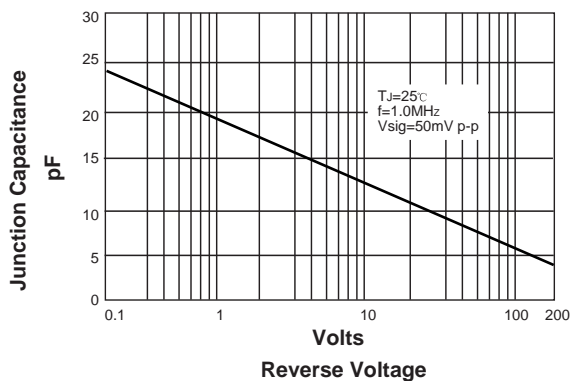


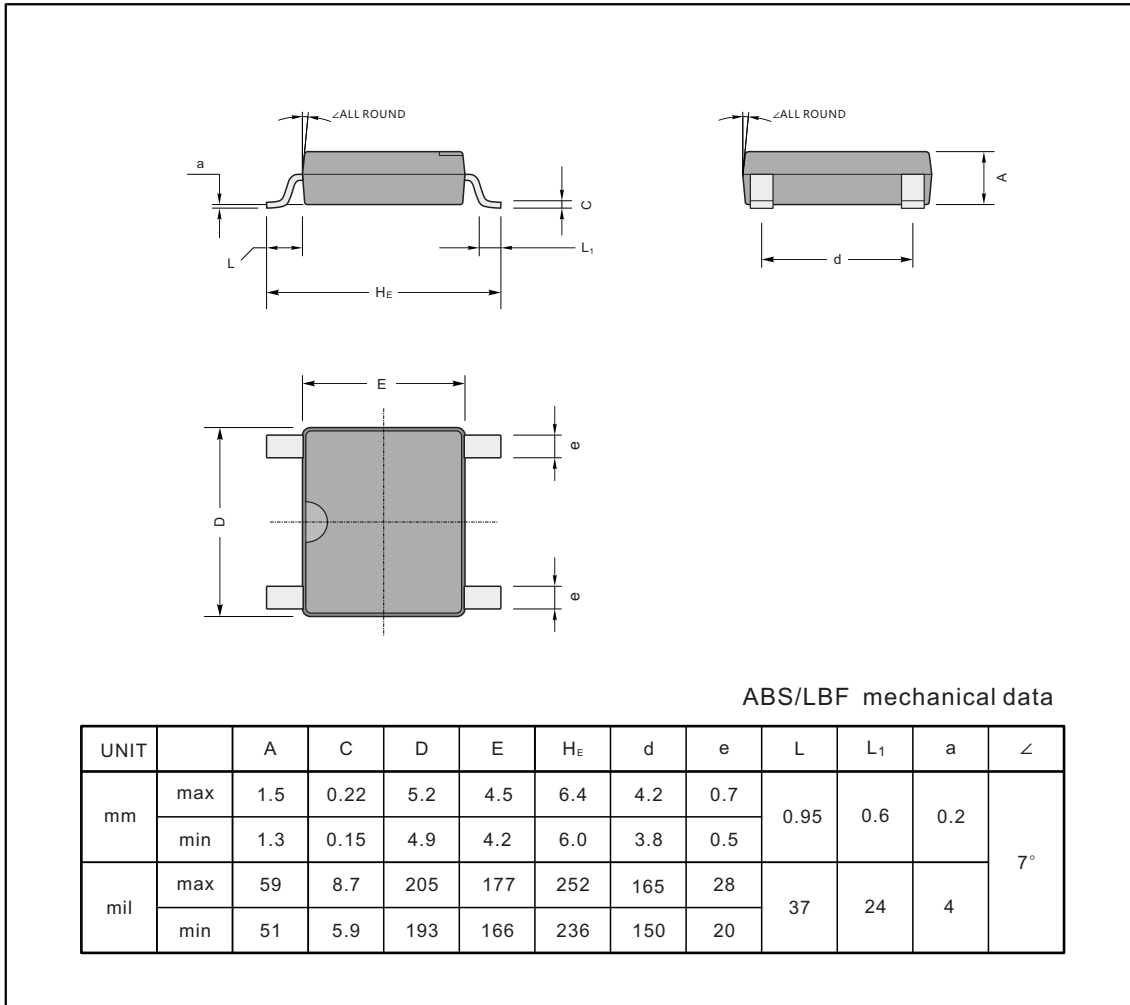
FIG. 5-TYPICAL JUNCTION CAPACITANE



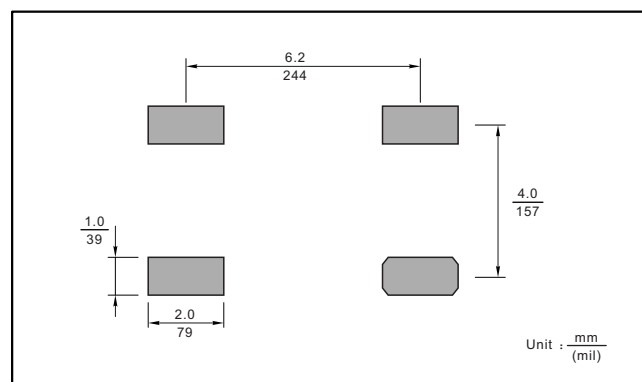
PACKAGE OUTLINE

Plastic surface mounted package; 4 leads

ABS



The recommended mounting pad size



X-ON Electronics

Largest Supplier of Electrical and Electronic Components

Click to view similar products for [Bridge Rectifiers](#) category:

Click to view products by [TWGMC](#) manufacturer:

Other Similar products are found below :

[MB2510](#) [MB252](#) [MB356G](#) [MB358G](#) [MP358-BP](#) [90MT160KPBF](#) [GBJ1504-BP](#) [GBU10B-BP](#) [GBU15J-BP](#) [GBU15K-BP](#) [GBU4A-BP](#)
[GBU4D-BP](#) [GBU6B-E3/45](#) [GSIB680-E3/45](#) [DB101-BP](#) [DF01](#) [DF10SA-E345](#) [BU1508-E3/45](#) [BU1510-E3/45](#) [KBPC50-10S](#) [RS405GL-BP](#)
[G5SBA60-E3/51](#) [GBJ1502-BP](#) [GBU10J-BP](#) [GBU6M](#) [GBU8D-BP](#) [GBU8J-BP](#) [GSIB1520-E3/45](#) [TB102M](#) [MB1510](#) [MB6M-G](#) [MB86](#)
[TL401G](#) [MDA920A2](#) [TU602](#) [TU810](#) [MP501W-BP](#) [MP502-BP](#) [BR1005-BP](#) [BR101-BP](#) [BR84DTP204](#) [BU1010A-E3/51](#) [BU1508-E3/51](#)
[BU2008-E3/51](#) [US15KB80R-7000](#) [KBPC25-02](#) [VS-2KBB60](#) [VS-60MT120KPBF](#) [DB105-BP](#) [DF1510S](#)