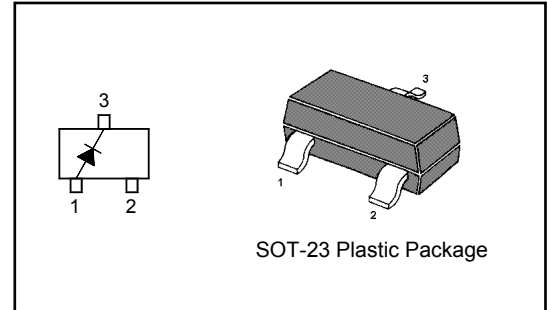


BAS16 Silicon Epitaxial Planar Switching Diode
Features

- Small package
- Low forward voltage
- Fast reverse recovery time
- Small total capacitance

Applications

- Ultra high speed switching application


Absolute Maximum Ratings ($T_a = 25\text{ }^\circ\text{C}$)

Parameter	Symbol	Value	Unit
Repetitive Peak Reverse Voltage	V_{RRM}	85	V
Continuous Reverse Voltage	V_R	75	V
Continuous Forward Current	I_F	215	mA
Repetitive Peak Forward Current	I_{FRM}	500	mA
Non-Repetitive Peak Forward Surge Current	I_{FSM}	4	A
		1	
		0.5	
Power Dissipation	P_{tot}	350	mW
Junction Temperature	T_j	150	$^\circ\text{C}$
Storage Temperature Range	T_{stg}	- 65 to + 150	$^\circ\text{C}$

Characteristics at $T_a = 25\text{ }^\circ\text{C}$

Parameter	Symbol	Min.	Max.	Unit
Forward Voltage				
at $I_F = 1\text{ mA}$	V_F	-	715	mV
at $I_F = 10\text{ mA}$	V_F	-	855	mV
at $I_F = 50\text{ mA}$	V_F	-	1	V
at $I_F = 150\text{ mA}$	V_F	-	1.25	V
Reverse Current				
at $V_R = 25\text{ V}$	I_R		30	nA
at $V_R = 75\text{ V}$	I_R	-	1	μA
at $V_R = 25\text{ V}, T_J = 150\text{ }^\circ\text{C}$	I_R	-	30	μA
at $V_R = 75\text{ V}, T_J = 150\text{ }^\circ\text{C}$	I_R	-	50	μA
Reverse Breakdown Voltage				
at $I_R = 100\text{ }\mu\text{A}$	$V_{(BR)R}$	75	-	V
Diode Capacitance				
at $V_R = 0, f = 1\text{ MHz}$	C_d	-	2	pF
Reverse Recovery Time				
at $I_F = I_R = 10\text{ mA}, R_L = 50\text{ }\Omega$	t_{rr}	-	4	ns

Typical Characteristics

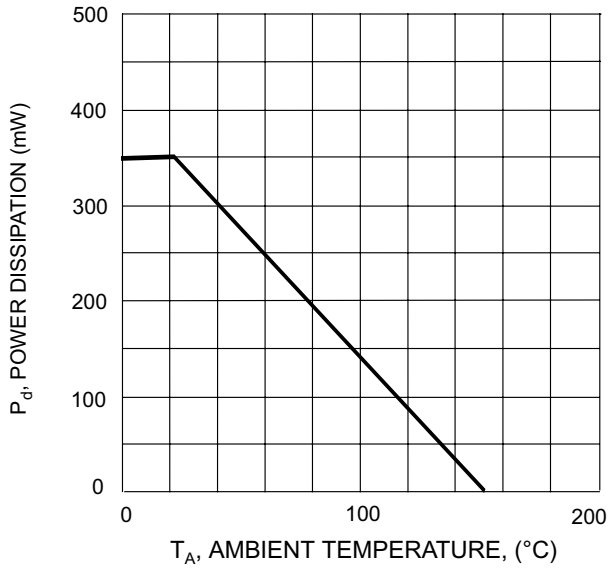


Fig. 1 Power Derating Curve

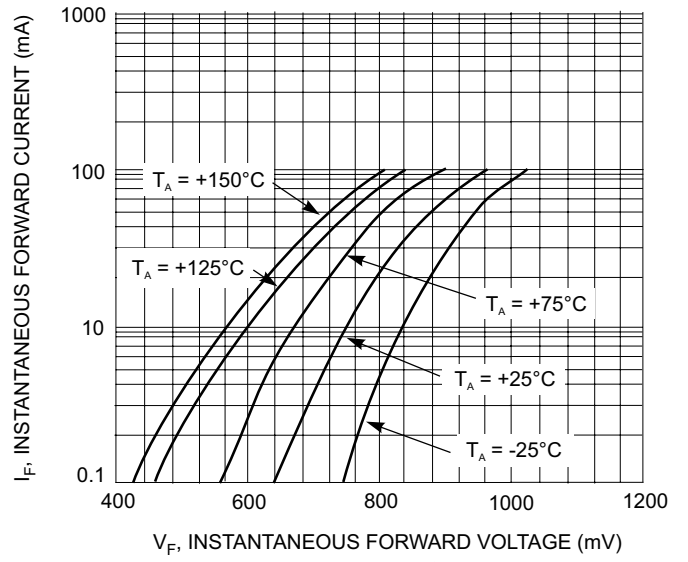


Fig. 2, Typical Forward Characteristics

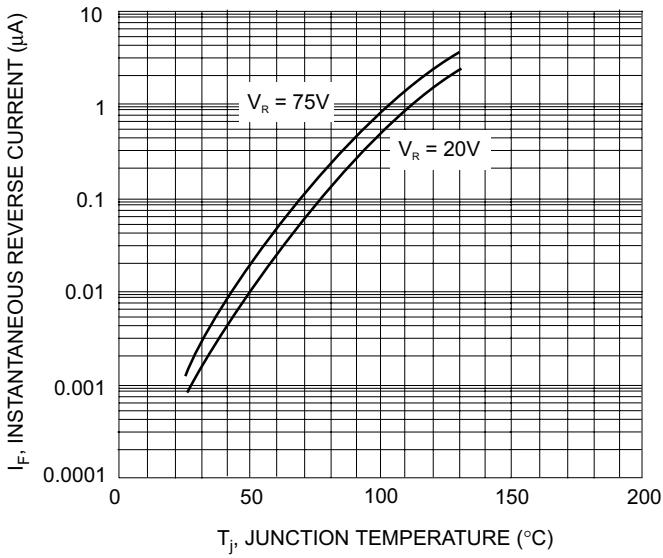
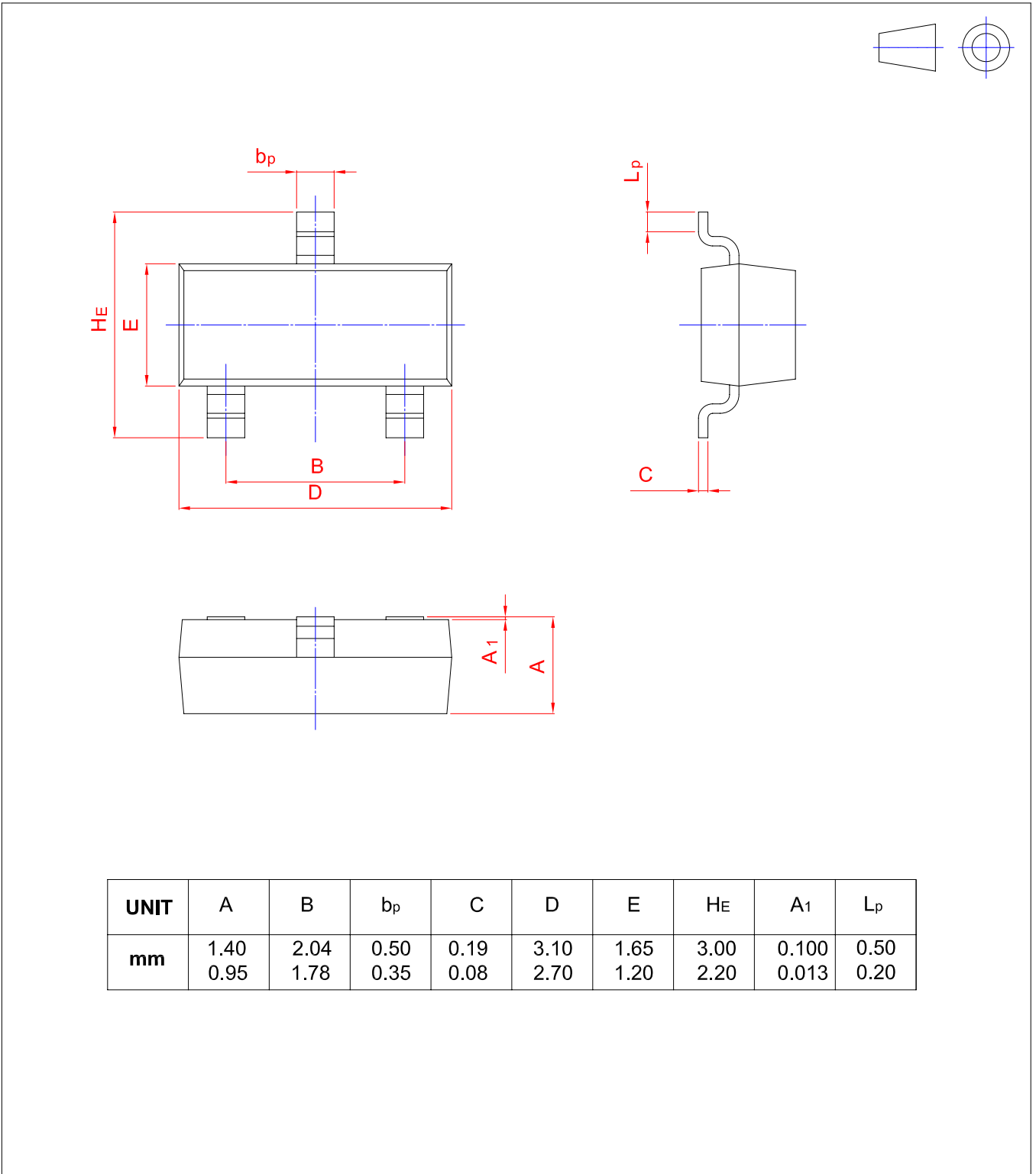


Fig. 3, Typical Reverse Characteristics

PACKAGE OUTLINE

Plastic surface mounted package; 3 leads

SOT-23



X-ON Electronics

Largest Supplier of Electrical and Electronic Components

Click to view similar products for [Diodes - General Purpose, Power, Switching category:](#)

Click to view products by [TWGMC manufacturer:](#)

Other Similar products are found below :

[MCL4151-TR3](#) [MMBD3004S-13-F](#) [RD0306T-H](#) [BAV17-TR](#) [BAV19-TR](#) [1N3611](#) [NTE156A](#) [NTE574](#) [NTE6244](#) [1SS181-TP](#) [1SS193,LF](#)
[1SS400CST2RA](#) [SDAA13](#) [SHN2D02FUTW1T1G](#) [LS4151GS08](#) [1N4449](#) [1N456A](#) [1N4934-E3/73](#) [1N914B](#) [1N914BTR](#) [1SS226-TP](#)
[RFUH20TB3S](#) [D291S45T](#) [BAV300-TR](#) [BAW56DWQ-7-F](#) [BAW75-TAP](#) [MM230L-CAA](#) [IDW40E65D1](#) [JAN1N3600](#) [JAN1N4153-1](#)
[JAN1N4454-1](#) [JAN1N4454UR-1](#) [LL4151-GS18](#) [053684A](#) [SMMSD4148T3G](#) [707803H](#) [NSVDAN222T1G](#) [CDSZC01100-HF](#) [LL4150-M-08](#)
[1N4454-TR](#) [BAV199E6433HTMA1](#) [BAV70HDW-7](#) [BAS28-7](#) [JANTX1N6640](#) [BAW56HDW-13](#) [BAS28 TR](#) [VS-HFA04SD60STR-M3](#)
[NSVM1MA152WKT1G](#) [1SS388-TP](#) [RGP30D-E3/73](#)