

Features

Frequency range : 20MHz to 64MHz
 Compact and thin
 Glass sealing, ceramic SMD package
 External dimensions (mm)
 L : 2.0 x W : 1.6 x H : 0.6
 RoHS compliant
 Contains Pb, exempted by RoHS directive

Applications

Notebook, Hard disk
 Computer peripherals
 OA, AV applications
 Home electronics
 Portable consumer products

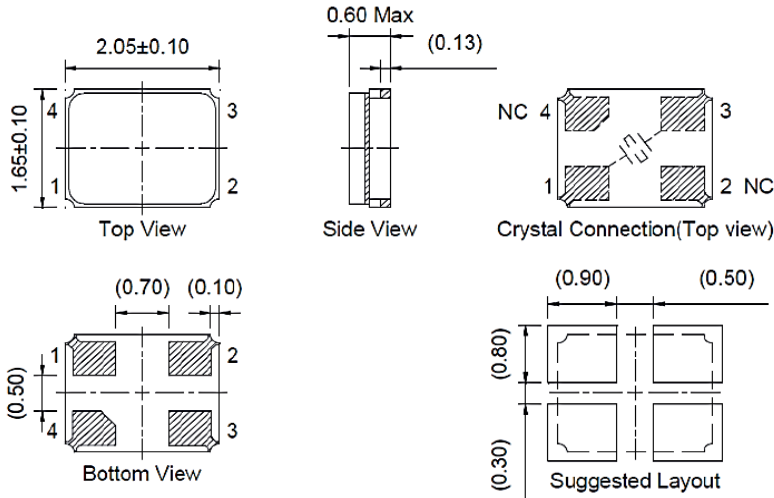
Electrical Characteristics

Item		7R	Conditions		
Frequency Range	F_0	20MHz ~ 64MHz			
Frequency Tolerance	F_{tol}	±30ppm, ±20ppm, ±10ppm	at 25°C		
Frequency Stability over Operating Temperature Range (refer to 25°C)	F_{stab}	±30 ppm	-20°C ~ +70°C		
		±20 ppm			
		±10 ppm			
				±10 ppm	-30°C ~ +85°C
				±50 ppm	-40°C ~ +85°C
				±30 ppm	
				±20 ppm	
		±60 ppm	-40°C ~ +125°C		
Operating Temperature Range	T_{OTR}	-20°C ~ +70°C			
		-30°C ~ +85°C			
		-40°C ~ +85°C			
		-40°C ~ +125°C			
Shunt Capacitance	C_0	2pF Max.			
Drive Level	D_L	1 ~ 100μW (10μW Typ.)			
Load Capacitance	C_L	6pF, 7pF, 8pF, 9pF, 10pF 12pF, 16pF, 18pF, 20pF			
Aging	F_{aging}	±3 ppm Max.	at 25°C ± 3°C, first year		
Storage Temperature Range	T_{STR}	-55°C ~ +125°C			

Motional Resistance (ESR)

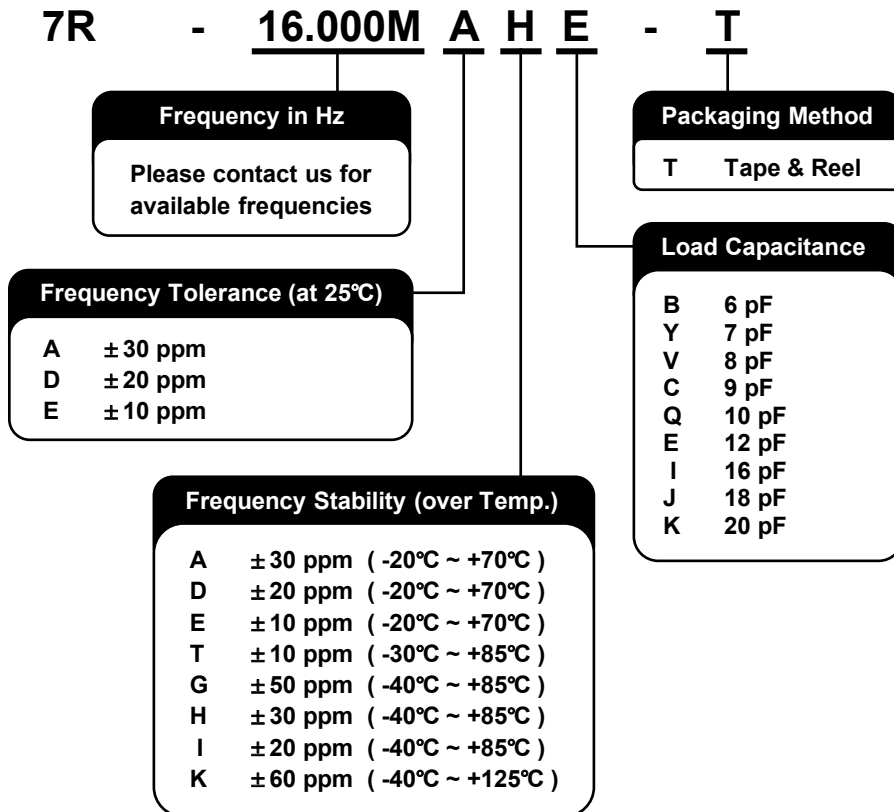
Fundamental	
20 ~ 24 MHz	200Ω Max.
24 ~ 30 MHz	150Ω Max.
30 ~ 36 MHz	120Ω Max.
36 ~ 64 MHz	80Ω Max.

Dimensions

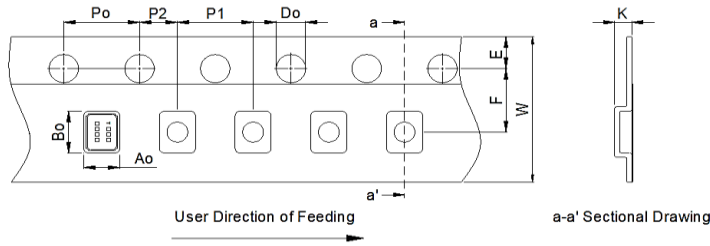


Units: mm

Ordering Information

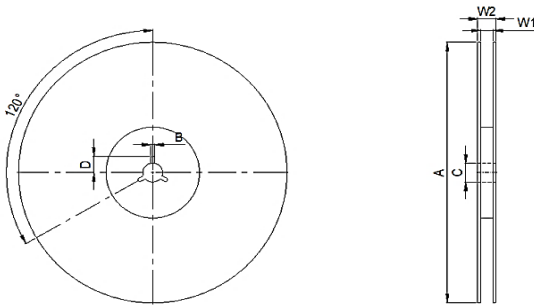


Packing



DIMENSIONS	A0	B0	D0	E	F
	1.90±0.10	2.30±0.10	1.55±0.10	1.75±0.10	3.50±0.10
	K	P0	P1	P2	W
	0.90±0.10	4.00±0.10	4.00±0.10	2.00±0.10	8.00±0.20

(Unit: mm)



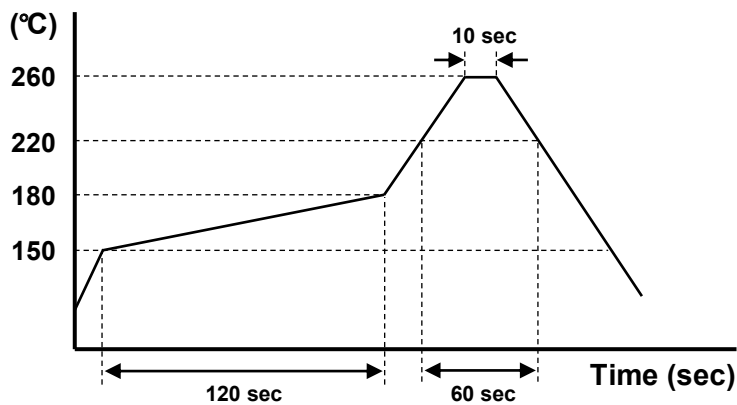
DIMENSIONS	A	B	C	D	W1	W2
	178.00±1.00	2.75±0.25	13.00±0.50	11.00±0.50	8.50±0.50	11.50±0.20

(Unit: mm)

Reflow Profile

Solder melting point : 220°C ± 10°C, 60 sec. Min.

Peak temperature : 260°C ± 5°C, 10 sec. Min.



X-ON Electronics

Largest Supplier of Electrical and Electronic Components

Click to view similar products for [Crystals](#) category:

Click to view products by [TXC Corporation](#) manufacturer:

Other Similar products are found below :

[MC405 32.0000K-R3:PURE SN](#) [7A-40.000MAAE-T](#) [MP1-8.0 99-BU](#) [9B-15.360MBBK-B](#) [PTX-A2JM-10.000M](#) [9C-7.680MBBK-T](#) [H10S-12.000-18-EXT-TR](#) [R38-32.768-12.5-5PPM-NPB](#) [BTD1062E05A-513](#) [21U15A-21.4MHZ](#) [RTX-781DF1-S-20.950](#) [LFXTAL066198Cutt](#) [9C-14.31818MBBK-T](#) [A-11.000MHZ-27](#) [SPT2A-.032768B](#) [SPT2A.032768G](#) [SSPT7F-9PF20-R](#) [FX325BS-38.88EEM1201](#) [MP-1-25.000MHZ-3L](#) [MP-1-6.000MHZ](#) [LFXTAL065253Cutt](#) [LFXTAL066431Cutt](#) [XT9S20ANA14M7456](#) [XT9SNLANA16M](#) [646G-24-2](#) [7A-24.576MBBK-T](#) [7B-30.000MBBK-T](#) [7A-14.31818MBBK-T](#) [6526-202-1501](#) [BTJ120E02C](#) [SG636PCE-20.000MC](#) [3404](#) [CM315D32768EZFT](#) [C1E-24.000-7-2020-R](#) [C1E-19.200-12-1530-X-R](#) [C1E-16.000-12-1530-X-R](#) [ABM11-16.000MHZ-9-B1U-T](#) [FL5000014](#) [EUCA18-3.1872M](#) [425F35E027M0000](#) [17196](#) [ABM3-13.52313MHZ-10-B4Y-T](#) [MS3V-T1R-32.768kHz-7pF-20PPM-TA-QC-Au](#) [VXM7-1C1-16M000](#) [MS1V-T1K-32.768kHz-10pF-20PPM-TA-QC-Au](#) [MS3V-T1R-32.768kHz-9pF-20PPM-TA-QC-Au](#) [ECS-80-18-30-JGN-TR](#) [17000](#) [17301](#)