

## Product Features

1. 4 pad AuSn sealing crystal
2. Extremely small SMD type crystal units
3. Application for smart phone , sip module , variety of compact portable consumer products reference clocks
4. High precision and frequency stability
5. High reliable environmental performance
6. RoHS and REACH Compliant , Pb-free , Halogen-free
7. Industry Standard Package :  
1.2\*1.0\*0.33mm (8J Series)

### Application :

- Wearable devices
- Wi-Fi and BT or other wireless module
- IoT devices
- Smart phone
- Space limited application



Test condition

Ambient temperature :  $25 \pm 5^\circ\text{C}$

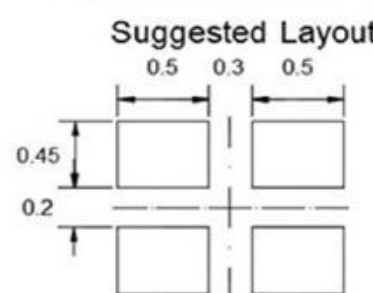
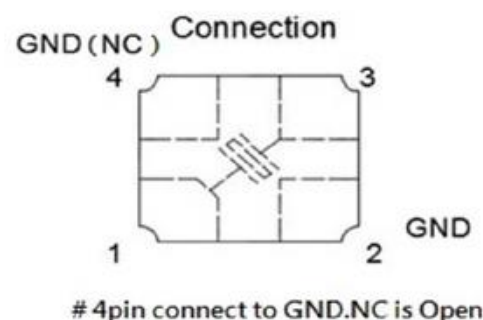
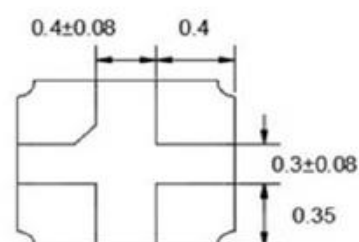
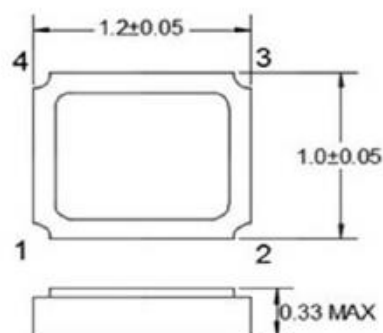
Relative humidity : 40% ~ 70%

### ● Table 1 . Electrical Specifications

Parameters	Symbol	Min.	Typ.	Max.	Units	Notes
Nominal Frequency	F	24 ~ 76.8			MHz	
Frequency Tolerance	FT	$\pm 10$			ppm	@ $25^\circ\text{C} \pm 3^\circ\text{C}$
Frequency Stability Over Operating Temp. Range (Reference $25^\circ\text{C}$ )	ST	$\pm 15$			ppm	@ $-40 \sim 85^\circ\text{C}$
		$\pm 30$				@ $-40 \sim 105^\circ\text{C}$
Operating Temperature	Topr	-40	25	105	$^\circ\text{C}$	
Load Capacitance	CL	8 , 10 , 12 or specify			pF	
Drive Level	DL	-	100	200	$\mu\text{W}$	
Equivalent Series Resistance	ESR	-	-	100	Ohm	24~32MHz
		-	-	80		37.4~48MHz
		-	-	60		>48MHz
Aging	-	$\pm 3$			ppm	1st Year

Note : The table shows common spec. if you have special spec. requirement , please feel free to contact our salesperson.

### ● Dimensions



(Unit : mm)

## X-ON Electronics

Largest Supplier of Electrical and Electronic Components

*Click to view similar products for [Crystals](#) category:*

*Click to view products by [TXC Corporation](#) manufacturer:*

Other Similar products are found below :

[CX3225GB25000M0PPSZ1](#) [718-13.2-1](#) [7A-40.000MAAE-T](#) [FL2000085](#) [99-BU](#) [9B-15.360MBBK-B](#) [9C-7.680MBBK-T](#) [H10S-12.000-18-EXT-TR](#) [ABC2-6.000MHZ-D4Z-T](#) [ABLS-20.000MHZ-D2-T](#) [ABS071-32.768KHZ-6-T](#) [R38-32.768-12.5-5PPM-NPB](#) [BTD1062E05A-513](#) [21U15A-21.4MHZ](#) [RTX-781DF1-S-20.950](#) [LFXTAL066198Cutt](#) [9C-14.31818MBBK-T](#) [A-11.000MHZ-27](#) [ABL-27.000MHZ-B4Y-T](#) [ABM11-132-24.000MHZ-T3](#) [ABM3B1-25.000MHZ-D2Y-T](#) [SPT2A-.032768B](#) [SPT2A.032768G](#) [LFXTAL065253Cutt](#) [LFXTAL066431Cutt](#) [XT9S20ANA14M7456](#) [XT9SNLANA16M](#) [7A-24.576MBBK-T](#) [7B-30.000MBBK-T](#) [CX2520DB16000H0HPQCC](#) [MMCC2R32.7680KHZ](#) [6504-202-1501](#) [6526-202-1501](#) [ABLS-12.000MHZ-B2Y-T](#) [7A-10.000MBBK-T](#) [SG636PCE-20.000MC](#) [3404](#) [CM315D32768EZFT](#) [C1E-24.000-7-2020-R](#) [C1E-19.200-12-1530-X-R](#) [C1E-16.000-12-1530-X-R](#) [ABM11-16.000MHZ-9-B1U-T](#) [FL5000014](#) [EUCA18-3.1872M](#) [FX0800015](#) [425F35E027M0000](#) [FP0800018](#) [MS3V-T1R-32.768kHz-7pF-20PPM-TA-QC-Au](#) [VXM7-1C1-16M000](#) [MS3V-T1R-32.768kHz-9pF-20PPM-TA-QC-Au](#)