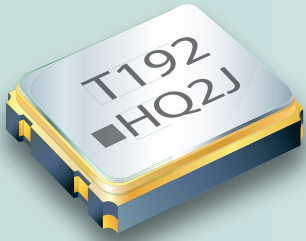


SMD RTC Crystal Oscillators 2.5 x 2.0 x 0.8 mm 8WZ Series

Think of Frequency Think of **TXC**
come visit our site <http://www.txccorp.com>



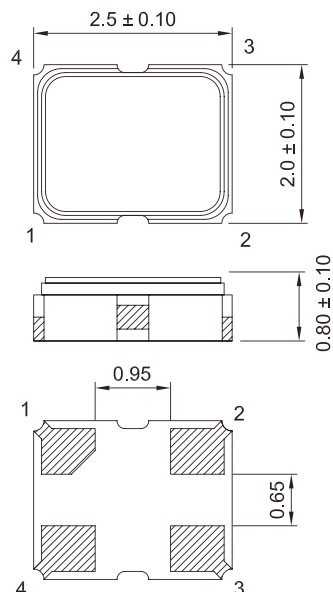
Features

- Ultra small 32.768 kHz RTC oscillator in seam sealed ceramic package.
- 4 pads design to achieve good soldering contact on PCB.
- Use AT crystal as the resonator for good temperature performance.
- Tri-State function available for power saving.
- RoHS Compliant / Pb Free.

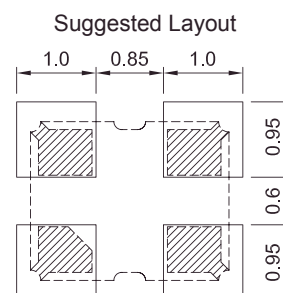
Electrical Specifications

Item / Type	8WZ
Normal Frequency	32.768 kHz
Oscillation Mode	AT Fundamental
Output Type	CMOS
Output Load	15 pF, or specify
Supply Voltage	1.8 V, 2.5V, 2.8 V, 3.3 V
Frequency Stability	± 25 ppm, ± 50 ppm, ± 100 ppm
Operating Temperature Range	- 10 ~ + 70 °C, - 40 ~ + 85 °C
Storage Temperature Range	- 55 ~ + 125 °C
Voltage Vol (Max.) / Voh (Min.)	0.1 VDD / 0.9 VDD
Rise (Tr) / Fall (Tf) Time	200 ns Max.
Current Consumption	3 mA Max.
Symmetry	45 ~ 55 %
Start-up Time	10 ms Max.
Tri-state Voltage Vol (Max.) / Voh (Min.)	0.3 VDD / 0.7 VDD
Aging (at 25 °C)	± 5 ppm at first year.

Dimensions



PAD FUNCTION:
1:ENABLE CONTROL
2:GND
3:OUT
4:VDD



Units: mm

X-ON Electronics

Largest Supplier of Electrical and Electronic Components

Click to view similar products for [Standard Clock Oscillators](#) category:

Click to view products by [TXC Corporation](#) manufacturer:

Other Similar products are found below :

[601252](#) [F335-12](#) [F335-25](#) [F535L-33.333](#) [F535L-50](#) [ASV-20.000MHZ-LR-T](#) [ECS-2018-160-BN-TR](#) [MXO45HS-2C-66.6666MHZ](#)
[SiT1602BI-22-33E-50.000000E](#) [SiT8209AI-32-33E-125.000000](#) [SIT8918AA-11-33S-50.000000G](#) [SM4420TEV-40.0M-T1K](#) [F335-24](#) [F335-40](#) [F535L-10](#) [F535L-12](#) [F535L-16](#) [F535L-24](#) [F535L-27](#) [F535L-48](#) [PE7744DW-100.0M](#) [CSX-750FCC14745600T](#) [ASF1-3.686MHZ-N-K-S](#)
[XO57CTECNA3M6864](#) [ECS-2100A-147.4](#) [601251](#) [EP16E7E2H26.000MTR](#) [SIT8918AA-11-33S-16.000000G](#) [XO3003](#) [9120AC-2D2-33E212.500000](#) [9102AI-243N25E100.00000](#) [8208AC-82-18E-25.00000](#) [ASDK2-32.768KHZ-LR-T3](#) [8008AI-72-XXE-24.545454E](#) [8004AC-13-33E-133.33000X](#) [AS-4.9152-16-SMD-TR](#) [ASFL1-48.000MHZ-LC-T](#) [SIT8920AM-31-33E-25.0000](#) [DSC1028DI2-019.2000](#) [9121AC-2C3-25E100.00000](#) [9102AI-233N33E100.00000X](#) [9102AI-233N25E200.00000](#) [9102AI-232H25S125.00000](#) [9102AI-133N25E200.00000](#) [9102AC-283N25E200.00000](#) [9001AC-33-33E1-30.000](#) [XLH536125.000JS4I](#) [3921AI-2CF-33NZ125.000000](#) [5730-1SF](#) [PXA000010](#)