

# SMD Oscillators- CMOS Output 3.2 x 2.5 x 1.0 mm AUZ Series



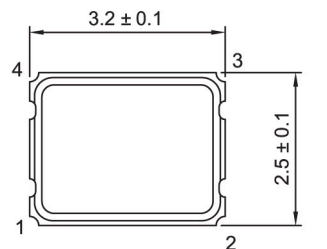
## Features

- Ultra small SMD seam sealed clock crystal oscillator units.
- RoHS Compliant / Pb Free.

## Electrical Specifications

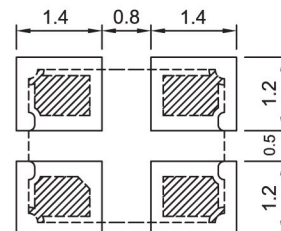
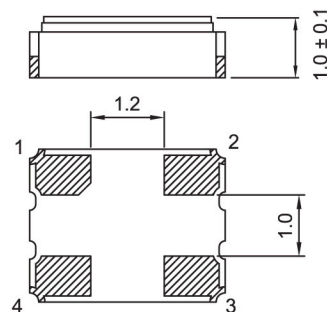
Item / Type	AUZ	
Output Type	CMOS	
Output Load	15 pF	30 pF
Oscillation Mode	Fundamental / 3rd Overtone	
Supply Voltage	1.8 V	2.5 V, 3.3 V
Frequency Range	32.768 KHz	
Frequency Stability	± 20 ppm , ± 50 ppm, ± 100 ppm	
Operating Temperature Range	-40 ~ + 85 °C	
Storage Temperature Range	- 55 ~ + 125 °C	
Voltage Vol ( Max. ) / Voh ( Min. )	0.1 VDD / 0.9 VDD	
Rise ( Tr ) / Fall ( Tf ) Time	10 ns Max.	
Supply Current	4 mA Max.	6 mA Max.
Symmetry	45 ~ 55 %	
Start-up Time	10 ms Max.	
Phase Jitter ( 12 KHz ~ 20 MHz )	1 ps Max.	
Aging ( at 25 °C )	± 3 ppm / year Max.	
Reliability Standard	AEC-Q100	

## Dimensions



PAD FUNCTION:  
1:ENABLE CONTROL  
2:GND  
3:OUT  
4:VDD

Suggested Layout



Units: mm

## X-ON Electronics

Largest Supplier of Electrical and Electronic Components

*Click to view similar products for [Standard Clock Oscillators](#) category:*

*Click to view products by [TXC Corporation](#) manufacturer:*

Other Similar products are found below :

[601252](#) [F335-25](#) [F535L-33.333](#) [F535L-50](#) [ECS-2018-160-BN-TR](#) [MXO45HS-2C-66.6666MHZ](#) [SiT1602BI-22-33E-50.000000E](#) [SiT8209AI-32-33E-125.000000](#) [SIT8918AA-11-33S-50.000000G](#) [SM4420TEV-40.0M-T1K](#) [F335-24](#) [F335-40](#) [F535L-10](#) [F535L-12](#) [F535L-16](#) [F535L-24](#) [F535L-27](#) [F535L-48](#) [PE7744DW-100.0M](#) [CSX-750FCC14745600T](#) [ASF1-3.686MHZ-N-K-S](#) [XO57CTECNA3M6864](#) [ECS-2100A-147.4](#) [601251](#) [EP16E7E2H26.000MTR](#) [SIT8918AA-11-33S-16.000000G](#) [XO3003](#) [9120AC-2D2-33E212.500000](#) [9102AI-243N25E100.00000](#) [8208AC-82-18E-25.00000](#) [ASDK2-32.768KHZ-LR-T3](#) [8008AI-72-XXE-24.545454E](#) [8004AC-13-33E-133.33000X](#) [AS-4.9152-16-SMD-TR](#) [ASFL1-48.000MHZ-LC-T](#) [SIT8920AM-31-33E-25.0000](#) [DSC1028DI2-019.2000](#) [9102AI-233N33E100.00000X](#) [9102AI-233N25E200.00000](#) [9102AI-232H25S125.00000](#) [9102AI-133N25E200.00000](#) [9102AC-283N25E200.00000](#) [9001AC-33-33E1-30.000](#) [3921AI-2CF-33NZ125.000000](#) [5730-1SF](#) [PXA000010](#) [8003AI-12-33S-40.00000Y](#) [1602BI-13-33S-19.200000E](#) [8208AI-2F-18E-25.000000X](#) [8103AI-83-33E-33.00000X](#)