

Product Features

1. High precision and high frequency stability
2. Excellent thermal coupling between thermistor and crystal
3. Application in mobile communication
4. RoHS and REACH Compliant , Pb-free , Halogen-free
5. Industry Standard Package :
2.5*2.0*1.0 mm (OZ Series)

Application :

- Smart phone
- Modem
- GPS



Test condition

Ambient temperature : $25 \pm 5^{\circ}\text{C}$

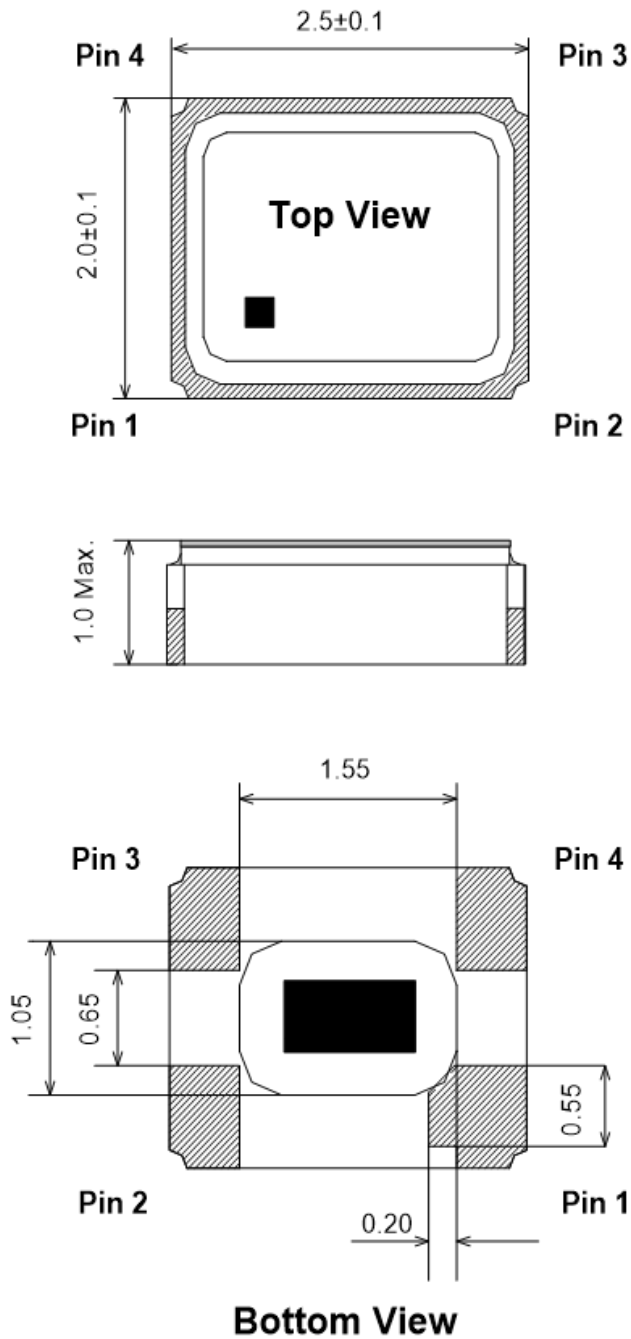
Relative humidity : 40% ~ 70%

● Table 1 . Electrical Specifications

Parameters	Symbol	Min.	Typ.	Max.	Units	Notes
Nominal Frequency	F	19.2 , 26			MHz	
Frequency Tolerance	FT	± 10			ppm	@ $25^{\circ}\text{C} \pm 3^{\circ}\text{C}$
Frequency Stability Over Operating Temp. Range (Reference 25°C)	ST	± 12			ppm	@ $-30 \sim 85^{\circ}\text{C}$
Operating Temperature	Topr	-30	25	85	$^{\circ}\text{C}$	
Load Capacitance	CL	7 , 8 or specify			pF	
Drive Level	DL	-	100	200	μW	
Equivalent Series Resistance	ESR	-	-	80	Ohm	19.2MHz
		-	-	50		26MHz
Aging	-	± 0.7			ppm	1st Year
Thermistor Resistance (25°C)	-	$100\text{k} \pm 1\%$			Ohm	
B-Constant ($25-50^{\circ}\text{C}$)	-	$4250 \pm 1\%$			K	The B constant is calculated using the zero-power resistance values measured at 25°C and 50°C

Note : The table shows common spec. if you have special spec. requirement , please feel free to contact our salesperson.

■ DIMENSIONS (Unit : mm)



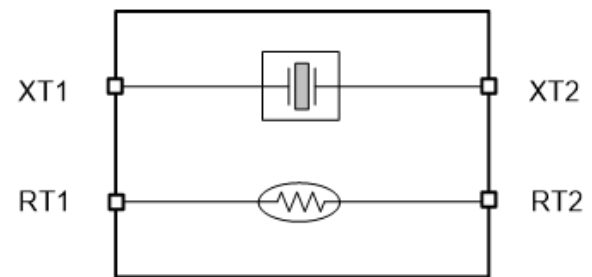
■ PIN FUNCTION

	Symbol	Function
Pin 1	XT1	XTAL Terminal 1
Pin 2	RT2	Thermistor Terminal 2
Pin 3	XT2	XTAL Terminal 2
Pin 4	RT1	Thermistor Terminal 1

Note:

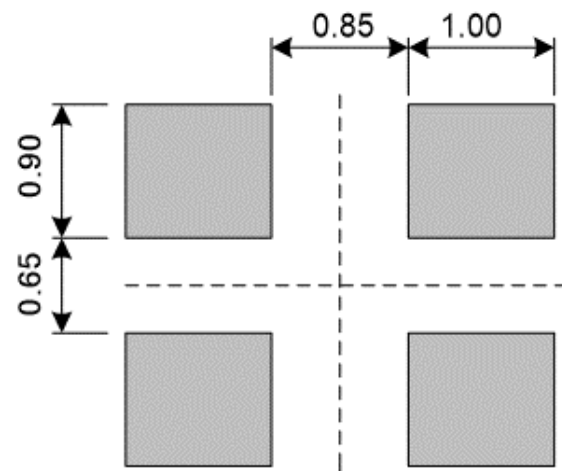
Pin 2 is connected to the metal lid and thermistor
Pin 4 is connected to the thermistor only

■ BLOCK DIAGRAM



Note: RT2 shall be connected to GND is recommended

■ SUGGESTED LAYOUT



(Unit : mm)

X-ON Electronics

Largest Supplier of Electrical and Electronic Components

Click to view similar products for [Crystals category](#):

Click to view products by [TXC Corporation manufacturer](#):

Other Similar products are found below :

[CX3225GB25000M0PPSZ1](#) [718-13.2-1](#) [7A-40.000MAAE-T](#) [FL2000085](#) [99-BU](#) [9B-15.360MBBK-B](#) [9C-7.680MBBK-T](#) [H10S-12.000-18-EXT-TR](#) [ABC2-6.000MHZ-D4Z-T](#) [ABLS-20.000MHZ-D2-T](#) [ABS071-32.768KHZ-6-T](#) [R38-32.768-12.5-5PPM-NPB](#) [BTD1062E05A-513](#) [21U15A-21.4MHZ](#) [RTX-781DF1-S-20.950](#) [LFXTAL066198Cutt](#) [9C-14.31818MBBK-T](#) [A-11.000MHZ-27](#) [ABL-27.000MHZ-B4Y-T](#) [ABM11-132-24.000MHZ-T3](#) [ABM3B1-25.000MHZ-D2Y-T](#) [SPT2A-.032768B](#) [SPT2A.032768G](#) [LFXTAL065253Cutt](#) [LFXTAL066431Cutt](#) [XT9S20ANA14M7456](#) [XT9SNLANA16M](#) [7A-24.576MBBK-T](#) [7B-30.000MBBK-T](#) [CX2520DB16000H0HPQCC](#) [MMCC2R32.7680KHZ](#) [6504-202-1501](#) [6526-202-1501](#) [ABLS-12.000MHZ-B2Y-T](#) [7A-10.000MBBK-T](#) [SG636PCE-20.000MC](#) [3404](#) [CM315D32768EZFT](#) [C1E-24.000-7-2020-R](#) [C1E-19.200-12-1530-X-R](#) [C1E-16.000-12-1530-X-R](#) [ABM11-16.000MHZ-9-B1U-T](#) [FL5000014](#) [EUCA18-3.1872M](#) [FX0800015](#) [425F35E027M0000](#) [FP0800018](#) [MS3V-T1R-32.768kHz-7pF-20PPM-TA-QC-Au](#) [VXM7-1C1-16M000](#) [MS3V-T1R-32.768kHz-9pF-20PPM-TA-QC-Au](#)