

### Features

- Frequency range : 10MHz to 114MHz
- Ceramic SMD package
- Seam sealing
- External dimensions (mm)  
L : 3.2 x W : 2.5 x H : 0.7
- RoHS compliant & Pb free

### Applications

- Bluetooth, Wireless LAN
- Cellular phone, Pager, DSC
- Display, TV
- Computer peripherals
- Consumer products

### Electrical Characteristics

Item		QT325S	Conditions
Frequency Range	$F_0$	10MHz ~ 114MHz	
Frequency Tolerance	$F_{tol}$	$\pm 30\text{ppm}$ , $\pm 20\text{ppm}$ , $\pm 10\text{ppm}$	at 25°C
Frequency Stability over Operating Temperature Range (refer to 25°C)	$F_{stab}$	$\pm 30\text{ ppm}$	-20°C ~ +70°C
		$\pm 20\text{ ppm}$	
		$\pm 10\text{ ppm}$	
		$\pm 10\text{ ppm}$	-30°C ~ +85°C
		$\pm 30\text{ ppm}$	-40°C ~ +85°C
		$\pm 20\text{ ppm}$	
		$\pm 15\text{ ppm}$	
$\pm 60\text{ ppm}$	-40°C ~ +125°C		
Operating Temperature Range	$T_{OTR}$	-20°C ~ +70°C	
		-40°C ~ +85°C	
		-40°C ~ +125°C	
Shunt Capacitance	$C_0$	3pF Max.	
Drive Level	$D_L$	1 ~ 200 $\mu$ W (100 $\mu$ W Typ.)	
Load Capacitance	$C_L$	6pF, 8pF, 9pF, 10pF 12pF, 16pF, 18pF, 20pF	
Aging (at 25°C $\pm$ 3°C, first year)	$F_{aging}$	$\pm 3\text{ppm Max.}$	Note [1]
Storage Temperature Range	$T_{STR}$	-55°C ~ +125°C	

#### Notes:

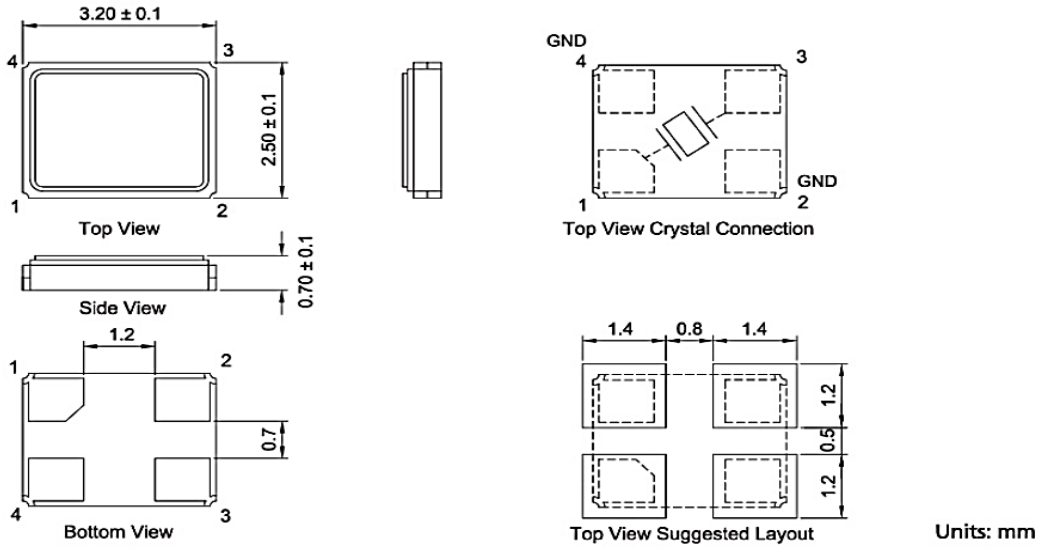
[1] Please contact us for low aging +/-1ppm grade crystals.

### Motional Resistance (ESR)

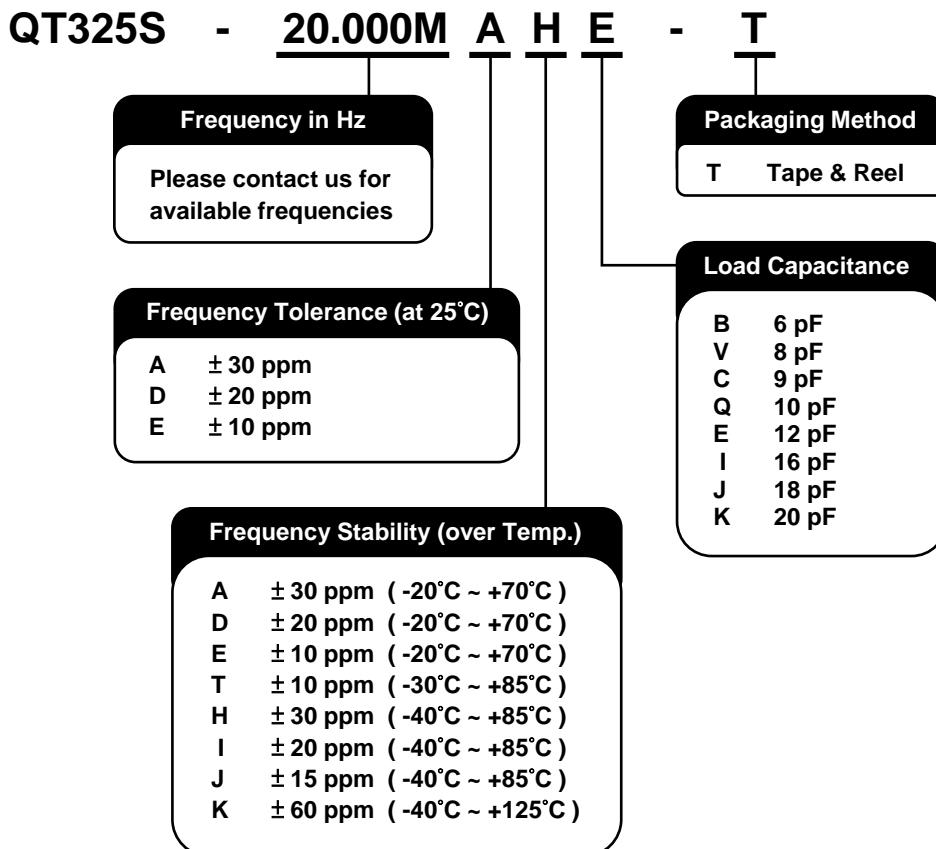
Fundamental	
10 ~ 12 MHz	150 $\Omega$ Max.
12 ~ 16 MHz	80 $\Omega$ Max.
16 ~ 20 MHz	60 $\Omega$ Max.
20 ~ 64 MHz	50 $\Omega$ Max.

3rd Overtone	
60 ~ 80 MHz	80 $\Omega$ Max.
80 ~ 114 MHz	60 $\Omega$ Max.

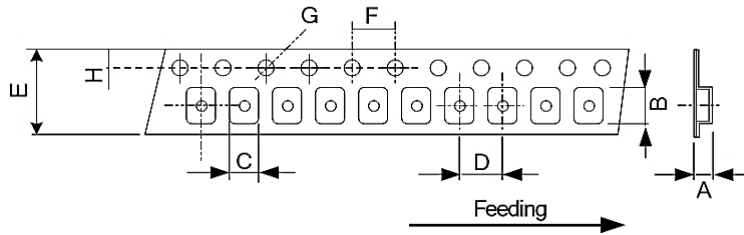
### Dimensions



### Ordering Information

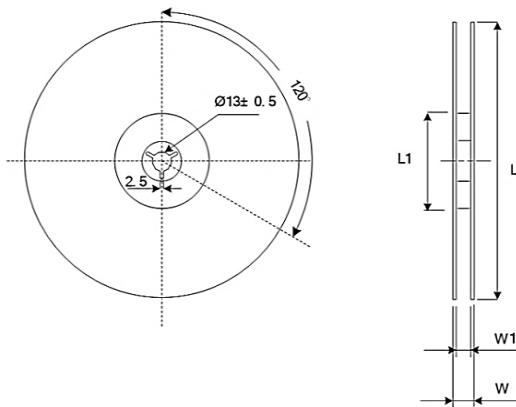


### Packing



DIMENSIONS	A	B	C	D	E	F	G	H
	1.65	3.40	2.70	4.00	8.00	4.00	1.55	1.75
	±0.10	±0.10	±0.10	±0.10	±0.20	±0.10	±0.05	±0.10

(Unit: mm)



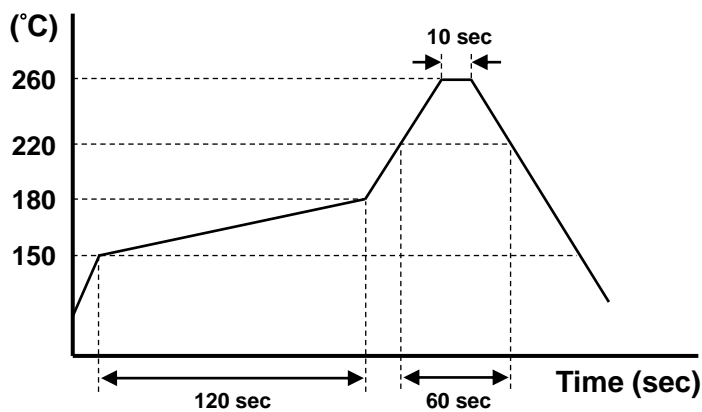
DIMENSIONS	L	L1	W	W1
	178	60.2	11.5	8
	±1.00	±0.50	±0.2	±0.1

(Unit: mm)

### Reflow Profile

Solder melting point : 220°C ± 10°C, 60 sec. Min.

Peak temperature : 260°C ± 10°C, 10 sec. Min.



## X-ON Electronics

Largest Supplier of Electrical and Electronic Components

*Click to view similar products for [Crystals](#) category:*

*Click to view products by [TXC Corporation](#) manufacturer:*

Other Similar products are found below :

[MC405 32.0000K-R3:PURE SN](#) [7A-40.000MAAE-T 99-BU](#) [9B-15.360MBBK-B](#) [PTX-A2JM-10.000M](#) [9C-7.680MBBK-T](#) [H10S-12.000-18-EXT-TR](#) [R38-32.768-12.5-5PPM-NPB](#) [BTD1062E05A-513](#) [NX8045GB-8.00M-STD-CSJ-1](#) [21U15A-21.4MHZ](#) [RTX-781DF1-S-20.950](#) [LFX TAL066198Cutt](#) [9C-14.31818MBBK-T](#) [A-11.000MHZ-27](#) [SPT2A-.032768B](#) [SPT2A.032768G](#) [SSPT7F-9PF20-R](#) [FX325BS-38.88EEM1201](#) [MP-1-25.000MHZ-3L](#) [MP-1-6.000MHZ](#) [LFX TAL065253Cutt](#) [LFX TAL066431Cutt](#) [XT9S20ANA14M7456](#) [646G-24-2](#) [7A-24.576MBBK-T](#) [7B-30.000MBBK-T](#) [7A-14.31818MBBK-T](#) [6504-202-1501](#) [6526-202-1501](#) [BTJ120E02C](#) [SG636PCE-20.000MC](#) [3404](#) [CM1610H32768DZFT](#) [CM315D32768EZFT](#) [C1E-24.000-7-2020-R](#) [C1E-19.200-12-1530-X-R](#) [C1E-16.000-12-1530-X-R](#) [49SMLB20.0000-20GHE-E\(T\)](#) [ABM11-16.000MHZ-9-B1U-T](#) [FL5000014](#) [EUCA18-3.1872M](#) [FX0800015](#) [425F35E027M0000](#) [17196](#) [ABM3-13.52313MHZ-10-B4Y-T](#) [MS3V-T1R-32.768kHz-7pF-20PPM-TA-QC-Au](#) [VXM7-1C1-16M000](#) [MS1V-T1K-32.768kHz-10pF-20PPM-TA-QC-Au](#) [MS1V-T1K-32.768kHz-12.5pF-20PPM-TA-QC-Au](#)