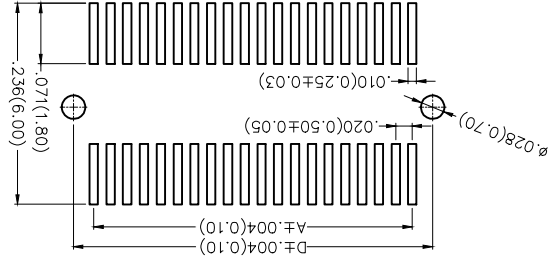
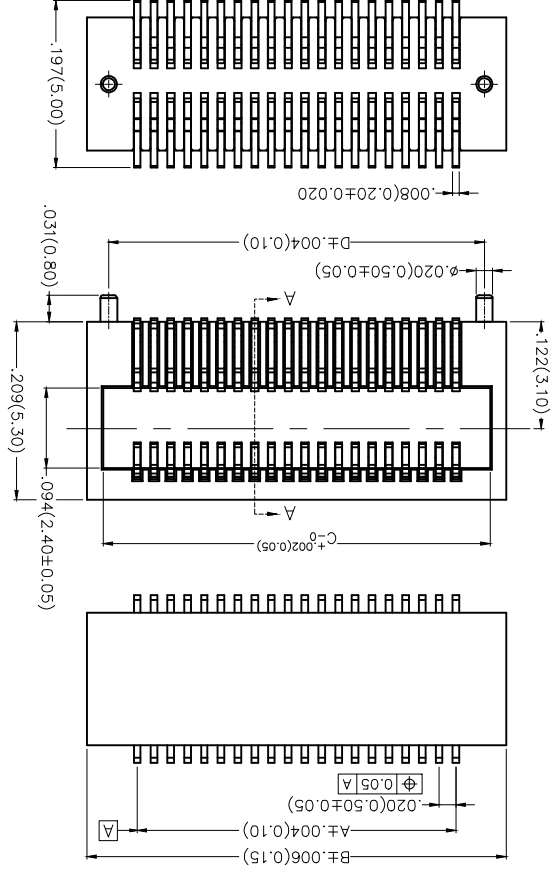
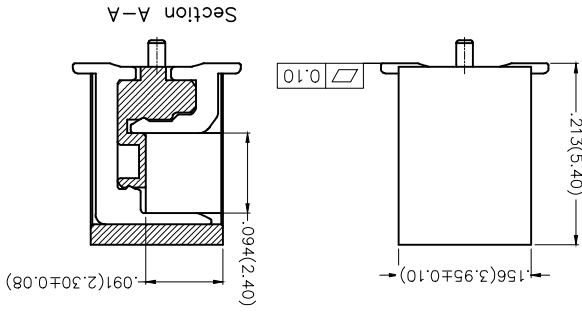
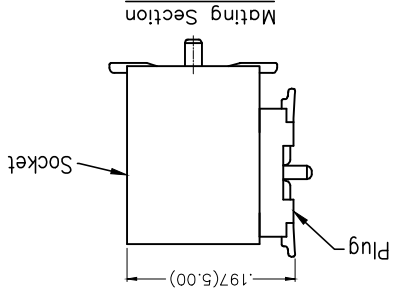


REV	LOCATIONS	DESCRIPTION	DATE	REVISER	APPD

SPECIFICATIONS

Electrical
 Current Rating: 0.5A AC(rms)/DC
 Voltage Rating: 60V AC(rms)/DC
 Contact Resistance: 60 mΩ Max.
 Insulation Resistance: 800 MΩ Min.
 Withstanding Voltage: 500V AC r.m.s
 Temperature Range—Operating: -25°C~+85°C
 Material and Plating
 Housing: PA9T (UL 94V-0)
 Contacts: Phosphor Bronze/ Gold Plated



General Tolerances: ±0.05mm

1	Category	2	Series Number	3	Distinction No.	4	Type	5	Circuits	6	Entry Angle
7	Plating	8	Thickness of Plating	9	Material-Resin	10	Color-Resin	11	M-Reel	11	Packaging

FBB 050 06 - F XX B 1 00 5 W5 M


Ordering Information

GENERAL TOLERANCES (UNLESS SPECIFIED)	APPROVE BY	FRANK	DATE	22/FEB/17	PART NO.	FBB05006-FXXB1005W5M	ITEM NO.	FBB05006	TITLE	Board to Board Pitch 0.5mm 90° Angle (SMT)	REV 0	SHEET NO. 1/2
	CHECKED BY	X.F.S	DATE	22/FEB/17								
THIRD ANGLE PROJECTION	DESIGN UNITS	Inch (metric)	X.X±.2	X.X±.2	DRAWN BY	CHERRY	DATE	22/FEB/17	THIS DRAWING CONTAINS INFORMATION THAT IS PROPRIETARY TO TXGA INDUSTRIAL ELECTRONICS(Z)CO.,LTD AND SHOULD NOT BE USED WITHOUT WRITTEN PERMISSION			
SCALE	SIZE	A4	5:1	X.XX±0.5	DRAWN BY	KATE	DATE	22/FEB/17	ELECTRONICS(Z)CO.,LTD AND SHOULD NOT BE USED WITHOUT WRITTEN PERMISSION			



REV	LOCATIONS	DESCRIPTION	DATE	REVISER	APPD

Circuits (n)	Part No.	Dimensions(in/mm)		
		A	B	C
10	FB05006-F10B1005WSM	.079(2.00)	.197(5.00)	.159(4.03)
12	FB05006-F12B1005WSM	.098(2.50)	.217(5.50)	.178(4.53)
14	FB05006-F14B1005WSM	.118(3.00)	.236(6.00)	.198(5.03)
16	FB05006-F16B1005WSM	.138(3.50)	.256(6.50)	.218(5.53)
18	FB05006-F18B1005WSM	.157(4.00)	.276(7.00)	.237(6.03)
20	FB05006-F20B1005WSM	.177(4.50)	.295(7.50)	.257(6.53)
22	FB05006-F22B1005WSM	.197(5.00)	.315(8.00)	.277(7.03)
24	FB05006-F24B1005WSM	.217(5.50)	.335(8.50)	.296(7.53)
26	FB05006-F26B1005WSM	.236(6.00)	.354(9.00)	.316(8.03)
28	FB05006-F28B1005WSM	.256(6.50)	.374(9.50)	.336(8.53)
30	FB05006-F30B1005WSM	.276(7.00)	.394(10.00)	.356(9.03)
32	FB05006-F32B1005WSM	.295(7.50)	.413(10.50)	.375(9.53)
34	FB05006-F34B1005WSM	.315(8.00)	.433(11.00)	.395(10.03)
36	FB05006-F36B1005WSM	.335(8.50)	.453(11.50)	.415(10.53)
38	FB05006-F38B1005WSM	.354(9.00)	.472(12.00)	.434(11.03)
40	FB05006-F40B1005WSM	.374(9.50)	.492(12.50)	.454(11.53)

 THIRD ANGLE PROJECTION	X.F.012(0.30) X.F.008(0.20) X.F.F1	X.F.5 X.F.2 X.F.F1	22/FEB/17 22/FEB/17 22/FEB/17	APPROVE BY CHECKED BY DRAWN BY	FRANK CHERRY KATE	DATE DATE DATE	22/FEB/17 22/FEB/17 22/FEB/17	GENERAL TOLERANCES (UNLESS SPECIFIED) X.F.5 X.F.2 X.F.F1	X.XXX±.004(0.10) X.XXX±.05	SCALE 5:1 A4	DESIGN UNITS Inch (metric) X.F.008(0.20) X.F.F1	THIS DRAWING CONTAINS INFORMATION THAT IS PROPRIETARY TO TXGA INDUSTRIAL ELECTRONICS(SZ)CO.,LTD AND SHOULD NOT BE USED WITHOUT WRITTEN PERMISSION
	FBB05006-F10B1005WSM FBB05006-F12B1005WSM FBB05006-F14B1005WSM FBB05006-F16B1005WSM FBB05006-F18B1005WSM FBB05006-F20B1005WSM FBB05006-F22B1005WSM FBB05006-F24B1005WSM FBB05006-F26B1005WSM FBB05006-F28B1005WSM FBB05006-F30B1005WSM FBB05006-F32B1005WSM FBB05006-F34B1005WSM FBB05006-F36B1005WSM FBB05006-F38B1005WSM FBB05006-F40B1005WSM	PART NO. ITEM NO.	TITLE Board to Board Pitch 0.5mm 90° Angle (SMT)	REV 0 SHEET NO. 2/2	TXGA Leader Of Industry	FBB05006	FBB05006-FXXB1005WSM	FBB05006	FBB05006-FXXB1005WSM	FBB05006-FXXB1005WSM	FBB05006-FXXB1005WSM	FBB05006-FXXB1005WSM

1 2 3 4 5 6 7 8

A B C D E F

A B C D E F

1 2 3 4 5 6 7 8

X-ON Electronics

Largest Supplier of Electrical and Electronic Components

Click to view similar products for [Board to Board & Mezzanine Connectors](#) category:

Click to view products by [TXGA](#) manufacturer:

Other Similar products are found below :

[10135583-642402LF](#) [89885-310LF](#) [589158040000018](#) [6-1393048-0](#) [68683-613](#) [MDF7-12DP-2.54DSA](#) [MDF7-18P-2.54DSA\(01\)](#) [MDF7-20DP-2.54DSA](#) [MDF7-26D-2.54DSA\(55\)](#) [MDF7-3P-2.54DSA\(01\)](#) [MDF7B-20P-2.54DSA\(01\)](#) [MDF7B-3P-2.54DSA\(55\)](#) [MDF7C-11P-2.54DSA\(55\)](#) [MDF7C-18P-2.54DSA\(55\)](#) [MDF7C-5P-2.54DSA\(01\)](#) [MDF7P-5P-2.54DSA\(55\)](#) [75234-0516](#) [FCN-230C068-11](#) [FCN-268F012-G/BD](#) [FCN-268F036-G/BD](#) [FCN-268M012-G/0D](#) [FCN-268M024-G/1D](#) [FCN-360C008-C](#) [FCN-360C040-C](#) [FCN-723J004/1](#) [MIS-048-01-F-D-DP-K](#) [832-10-034-10-001000](#) [93696-325LF](#) [11828-1FA](#) [AXK630345P](#) [18097-0013](#) [ICA-328STT](#) [2007042-2](#) [304400-2](#) [FCN-214Q030-G/0](#) [FCN-215Q040-G/0](#) [FCN-230C068-ESA](#) [FCN-234P048-G/0](#) [FCN-235D050-G/C](#) [FCN-360A3](#) [FCN-360C040-B](#) [210-93-314-41-105000](#) [2-22603-0](#) [379-064-521-202](#) [MDF7-12P-2.54DSA\(01\)](#) [MDF7-16P-2.54DS\(56\)](#) [MDF7-40DP-2.54DSA\(55\)](#) [MDF7-8P-2.54DSA\(55\)](#) [MDF7B-16P-2.54DSA\(55\)](#) [AXG720047](#)