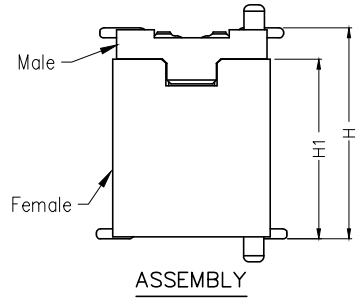
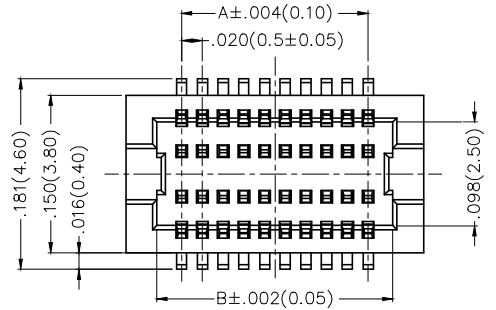


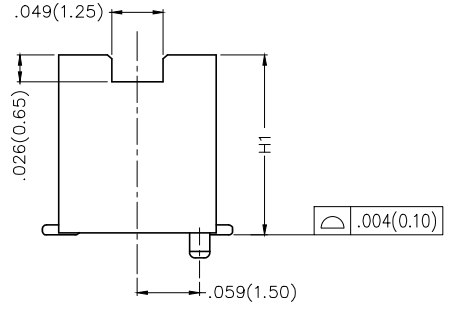
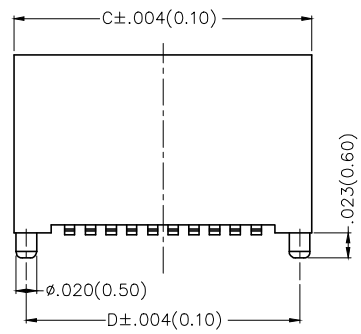
REV	LOCATIONS	DESCRIPTION	DATE	REVISER	APPD



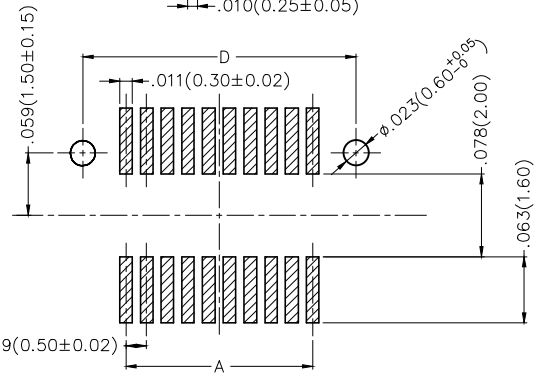
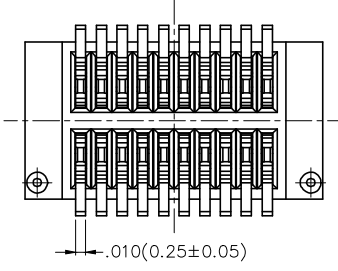
SPECIFICATIONS

Electrical
 Current Rating: 0.5A AC(rms)/DC
 Voltage Rating: 50V AC(rms)/DC
 Contact Resistance: 50 mΩ Max.
 Insulation Resistance: 100 MΩ Min.
 Withstanding Voltage: 200V AC r.m.s
 Temperature Range-Operating: -35°C~+85°C

Material and Plating
 Housing: LCP (UL 94V-0) Natural
 Contacts: Phosphor Bronze/ Gold plated



Dimensions(in/mm)			
Height H	Female H1	Male H2	Male H3
.118(3.00)	.093(2.35)	.087(2.20)	.057(1.45)
.197(5.00)	.171(4.35)	.108(2.75)	.079(2.00)



Recommended P.C.Board Layout
 General Tolerances: ±.002(0.05)

Ordering Information

FBB 050 08 — F XX S 1 XX 3 W5 M HXX
 1 2 3 4 5 6 7 8 9 10 11 12

1 Category FBB-Board to Board	2 Series Number 050-Pitch0.50mm	3 Distinction No. 08	4 Type F-Female	5 Circuits XX	6 Entry Angle S-180° Vertical
7 Plating 1-Gold Plated	8 Thickness of Plating 01-1μ" 03-3μ" Custom plate available	9 Material-Resin 3-LCP	10 Color-Resin W5-Natural	11 Packaging M-Reel	12 Female height H24-H1=2.35mm H44-H1=4.35mm

 THIRD ANGLE PROJECTION DESIGN UNITS Inch (metric) SCALE 5:1 SIZE A4	GENERAL TOLERANCES (UNLESS SPECIFIED)		APPROVE BY FRANK	DATE 14/AUG/19	PART NO. FBB05008-FXXS1XX3W5MHXX	ITEM NO. FBB05008	 Leader Of Industry		
	X.±.012(0.30)	X.±5°	CHECKED BY CHERRY	DATE 14/AUG/19	TITLE Board to Board Pitch 0.5mm 180° Vertical (SMT)			REV 0	SHEET NO. 1/2
	X.XX±.008(0.20)	.X'±2'	DRAWN BY Aubrey	DATE 14/AUG/19	THIS DRAWING CONTAINS INFORMATION THAT IS PROPRIETARY TO TXGA INDUSTRIAL ELECTRONICS(S.Z)CO.,LTD AND SHOULD NOT BE USED WITHOUT WRITTEN PERMISSION				

1 2 3 4 5 6 7 8

REV	LOCATIONS	DESCRIPTION	DATE	REVISER	APPD

A

A

B

B

C

C

D

D



E

E

F

F

Circuits (n)	Part No.	Dimensions(in/mm)			
		A	B	C	D
20	FBB05008-F20S1XX3W5MHXX	.177(4.50)	.224(5.70)	.283(7.20)	.260(6.60)
30	FBB05008-F30S1XX3W5MHXX	.276(7.00)	.323(8.20)	.382(9.70)	.358(9.10)
40	FBB05008-F40S1XX3W5MHXX	.374(9.50)	.421(10.70)	.480(12.20)	.457(11.60)
50	FBB05008-F50S1XX3W5MHXX	.472(12.00)	.520(13.20)	.579(14.70)	.555(14.10)

 THIRD ANGLE PROJECTION	GENERAL TOLERANCES (UNLESS SPECIFIED)		APPROVE BY FRANK	DATE 14/AUG/19	PART NO. FBB05008-FXXS1XX3W5MHXX	ITEM NO. FBB05008	 Leader Of Industry			
	DESIGN UNITS Inch (metric)	X.X±.012(0.30) X.X±.008(0.20) X.XX±.006(0.15) X.XXX±.004(0.10)	X'±5" X'±2" .XX'±1" .XXX'±0.5"	CHECKED BY CHERRY	DATE 14/AUG/19	TITLE Board to Board Pitch 0.5mm 180° Vertical (SMT)		REV 0	SHEET NO. 2/2	
	SCALE 5:1	SIZE A4	DRAWN BY Aubrey		DATE 14/AUG/19	THIS DRAWING CONTAINS INFORMATION THAT IS PROPRIETARY TO TXGA INDUSTRIAL ELECTRONICS(S.Z)CO.,LTD AND SHOULD NOT BE USED WITHOUT WRITTEN PERMISSION				

1 2 3 4 5 6 7 8

X-ON Electronics

Largest Supplier of Electrical and Electronic Components

Click to view similar products for [Board to Board & Mezzanine Connectors](#) category:

Click to view products by [TXGA](#) manufacturer:

Other Similar products are found below :

[10135583-642402LF](#) [89885-310LF](#) [589158040000018](#) [6-1393048-0](#) [68683-613](#) [MDF7-12DP-2.54DSA](#) [MDF7-18P-2.54DSA\(01\)](#) [MDF7-20DP-2.54DSA](#) [MDF7-26D-2.54DSA\(55\)](#) [MDF7-3P-2.54DSA\(01\)](#) [MDF7B-20P-2.54DSA\(01\)](#) [MDF7B-3P-2.54DSA\(55\)](#) [MDF7C-11P-2.54DSA\(55\)](#) [MDF7C-18P-2.54DSA\(55\)](#) [MDF7C-5P-2.54DSA\(01\)](#) [MDF7P-5P-2.54DSA\(55\)](#) [75234-0516](#) [FCN-230C068-11](#) [FCN-268F012-G/BD](#) [FCN-268F036-G/BD](#) [FCN-268M012-G/0D](#) [FCN-268M024-G/1D](#) [FCN-360C008-C](#) [FCN-360C040-C](#) [FCN-723J004/1](#) [MIS-048-01-F-D-DP-K](#) [832-10-034-10-001000](#) [93696-325LF](#) [11828-1FA](#) [AXK630345P](#) [18097-0013](#) [ICA-328STT](#) [2007042-2](#) [304400-2](#) [FCN-214Q030-G/0](#) [FCN-215Q040-G/0](#) [FCN-230C068-ESA](#) [FCN-234P048-G/0](#) [FCN-235D050-G/C](#) [FCN-360A3](#) [FCN-360C040-B](#) [210-93-314-41-105000](#) [2-22603-0](#) [379-064-521-202](#) [MDF7-12P-2.54DSA\(01\)](#) [MDF7-16P-2.54DS\(56\)](#) [MDF7-40DP-2.54DSA\(55\)](#) [MDF7-8P-2.54DSA\(55\)](#) [MDF7B-16P-2.54DSA\(55\)](#) [AXG720047](#)