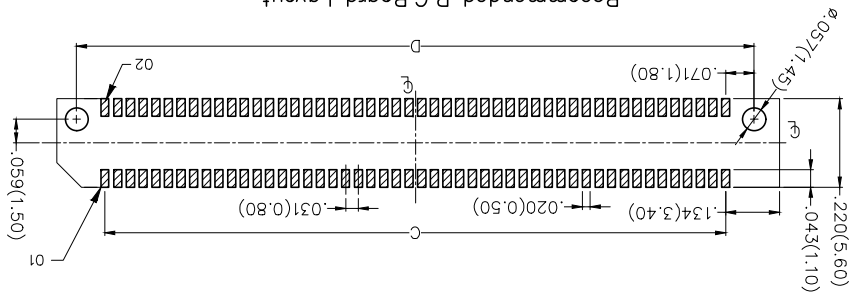
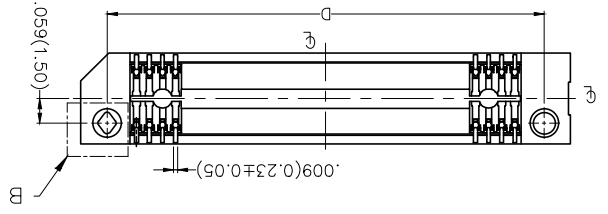
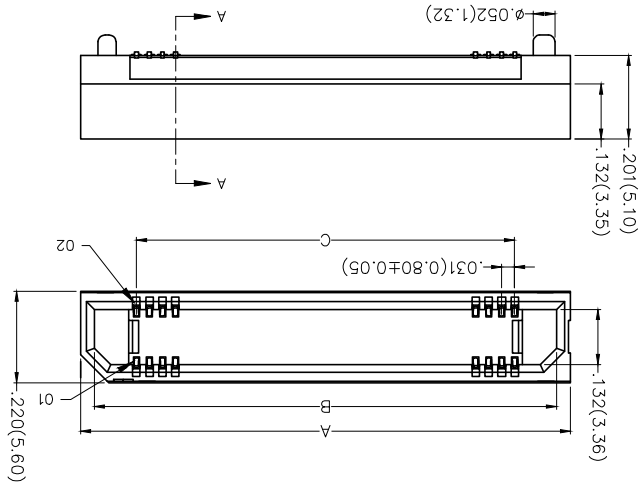
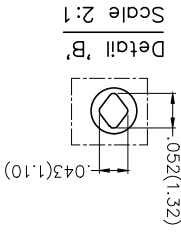
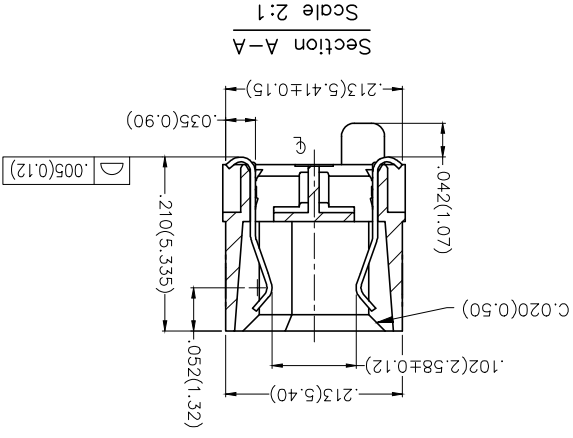


REV	LOCATIONS	DESCRIPTION	DATE	REVISER	APPD

SPECIFICATIONS

Electrical
 Current Rating: 0.5A AC(rms)/DC
 Voltage Rating: 50V AC(rms)/DC
 Contact Resistance: 50 mΩ Max.
 Insulation Resistance: 100 MΩ Min.
 Withstanding Voltage: 200V AC r.m.s.
 Temperature Range-Operating: -35°C~+85°C
 Material and Plating
 Housing: LCP (UL 94V-0)
 Contacts: Phosphor Bronze/ Selective gold in tin on tail



Ordering Information

FBB	080	05	-	F	XX	S	3	XX	3	K6	M
1	2	3	4	5	6	7	8	9	10	11	

1	Category	FBB-Board to Board
2	Series Number	080-Pitch0.80mm
3	Distinction No.	05
4	Type	F-Female
5	Circuits	XX
6	Entry Angle	S-180° Vertical
7	Plating	3-Selective gold in tin on tail 03-3µ 05-5µ Custom plate available
8	Thickness of Plating	Material-Resin
9		3-LCP
10		Color-Resin
11		M-Reel

THIRD ANGLE 	PROJECTION	X.F.012(0.30)	X.F.5	DATE	21/DEC/18	PART NO.	FBB08005-FXXS3XX3K6M	ITEM NO.	FBB08005	
	DESIGN UNITS Inch (metric)	X.X±.008(0.20)	X.F.7	CHECKED BY	CHERRY	TITLE	Board to Board	REV 0		
SCALE	5:1	X.XX±.006(0.15)	X.XX±.05	DRAWN BY	KATE	THIS DRAWING CONTAINS INFORMATION THAT IS PROPRIETARY TO TXGA INDUSTRIAL ELECTRONICS(SZ)CO.,LTD AND SHOULD NOT BE USED WITHOUT WRITTEN PERMISSION				
SIZE	A4	X.XX±.004(0.10)	X.XX±.05	DATE	21/DEC/18	Pitch 0.8mm 180° Vertical (SMT)				
SHEET NO. 1/2										



8

7

6

5

4

3

2

1

F

F

E

E

D

D

C

C

B

B

A

A

8

7

6

5


4

3

2

1

Circuits (n)	Part No.	Dimensions(in/mm)			
		A	B	C	D
30	FB08005-F30S3XX3K6M	.709(18.00)	.643(16.32)	.441(11.20)	.583(14.80)
40	FB08005-F40S3XX3K6M	.866(22.00)	.800(20.32)	.598(15.20)	.740(18.80)
60	FB08005-F60S3XX3K6M	1.181(30.00)	1.115(28.32)	.913(23.20)	1.055(26.80)
80	FB08005-F80S3XX3K6M	1.496(38.00)	1.430(36.32)	1.228(31.20)	1.370(34.80)
120	FB08005-F120S3XX3K6M	2.126(54.00)	2.060(52.32)	1.858(47.20)	2.000(50.80)
150	FB08005-F150S3XX3K6M	2.598(66.00)	2.532(64.32)	2.331(59.20)	2.472(62.80)

THIRD ANGLE 	PROJECTION	X.F.012(0.30)	X.F.5	APPROVE BY FRANK	DATE 21/DEC/18	PART NO. FB08005-FXXS3XX3K6M	ITEM NO. FB08005
	DESIGN UNITS Inch (metric)	X.XF.008(0.20)	X.F.7	CHECKED BY CHERRY	DATE 21/DEC/18	TITLE Board to Board Pitch 0.8mm 180° Vertical (SMT)	REV 0
SCALE 5:1	SIZE A4	X.XXF.006(0.15)	.XXF.1	DRAWN BY KATE	DATE 21/DEC/18	THIS DRAWING CONTAINS INFORMATION THAT IS PROPRIETARY TO TXGA INDUSTRIAL ELECTRONICS(S)ZCO.LTD AND SHOULD NOT BE USED WITHOUT WRITTEN PERMISSION	
		X.XXF.004(0.10)	.XXF.0.5				

REV	LOCATIONS	DESCRIPTION	DATE	REVISER	APPD



THIS DRAWING CONTAINS INFORMATION THAT IS PROPRIETARY TO TXGA INDUSTRIAL ELECTRONICS(S)ZCO.LTD AND SHOULD NOT BE USED WITHOUT WRITTEN PERMISSION

X-ON Electronics

Largest Supplier of Electrical and Electronic Components

Click to view similar products for [Board to Board & Mezzanine Connectors](#) category:

Click to view products by [TXGA](#) manufacturer:

Other Similar products are found below :

[10135583-642402LF](#) [89885-310LF](#) [589158040000018](#) [6-1393048-0](#) [68683-613](#) [MDF7-12DP-2.54DSA](#) [MDF7-18P-2.54DSA\(01\)](#) [MDF7-20DP-2.54DSA](#) [MDF7-26D-2.54DSA\(55\)](#) [MDF7-3P-2.54DSA\(01\)](#) [MDF7B-20P-2.54DSA\(01\)](#) [MDF7B-3P-2.54DSA\(55\)](#) [MDF7C-11P-2.54DSA\(55\)](#) [MDF7C-18P-2.54DSA\(55\)](#) [MDF7C-5P-2.54DSA\(01\)](#) [MDF7P-5P-2.54DSA\(55\)](#) [75234-0516](#) [FCN-230C068-11](#) [FCN-268F012-G/BD](#) [FCN-268F036-G/BD](#) [FCN-268M012-G/0D](#) [FCN-268M024-G/1D](#) [FCN-360C008-C](#) [FCN-360C040-C](#) [FCN-723J004/1](#) [MIS-048-01-F-D-DP-K](#) [832-10-034-10-001000](#) [93696-325LF](#) [11828-1FA](#) [AXK630345P](#) [18097-0013](#) [ICA-328STT](#) [2007042-2](#) [304400-2](#) [FCN-214Q030-G/0](#) [FCN-215Q040-G/0](#) [FCN-230C068-ESA](#) [FCN-234P048-G/0](#) [FCN-235D050-G/C](#) [FCN-360A3](#) [FCN-360C040-B](#) [210-93-314-41-105000](#) [2-22603-0](#) [379-064-521-202](#) [MDF7-12P-2.54DSA\(01\)](#) [MDF7-16P-2.54DS\(56\)](#) [MDF7-40DP-2.54DSA\(55\)](#) [MDF7-8P-2.54DSA\(55\)](#) [MDF7B-16P-2.54DSA\(55\)](#) [AXG720047](#)