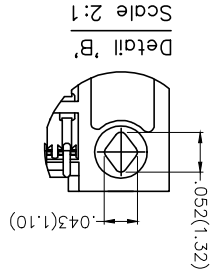
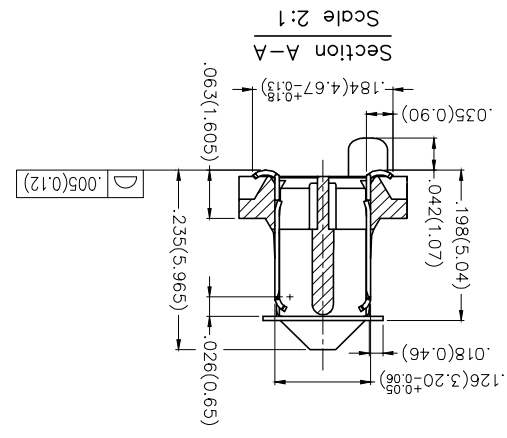


REV	LOCATIONS	DESCRIPTION	DATE	REVISER	APPD

SPECIFICATIONS

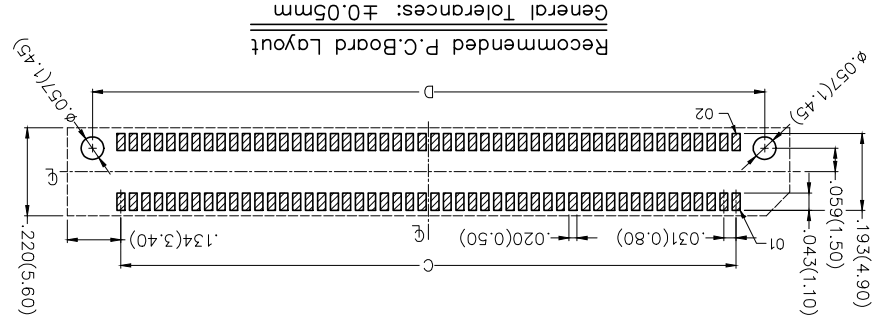
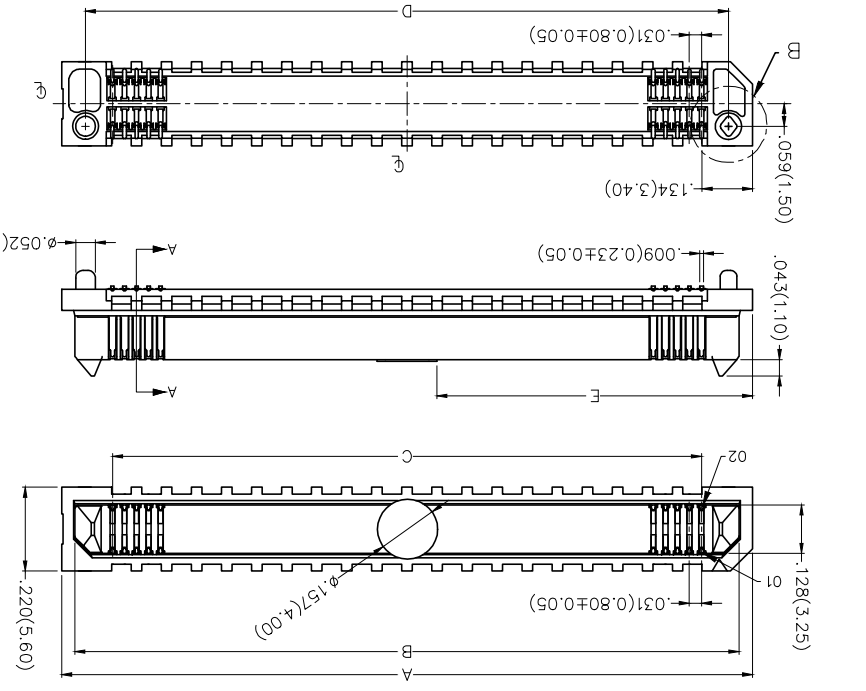
Electrical
 Current Rating: 0.5A AC(rms)/DC
 Voltage Rating: 50V AC(rms)/DC
 Contact Resistance: 50 mΩ Max.
 Insulation Resistance: 100 MΩ Min.
 Withstanding Voltage: 200V AC r.m.s.
 Temperature Range—Operating: -35°C~+85°C
 Material and Plating
 Housing: LCP (UL 94V-0)
 Contacts: Phosphor Bronze/ Selective gold in
 contact area, tin on tail



Ordering Information

FBB 080 05 - M XX S 3 XX 3 K6 M

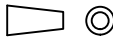
- 1 Category | FBB—Board to Board
- 2 Series Number | 080—Pitch:0.80mm
- 3 Distinction No. | 05
- 4 Type | M—Male
- 5 Circuits | XX
- 6 Entry Angle | S—180° Vertical
- 7 Plating | 3—Selective gold in contact area, 05—5μ
- 8 Thickness of Plating | Custom plate available
- 9 Material—Resin | 3—LCP
- 10 Color—Resin | K6—Black
- 11 Packaging | M—Reel

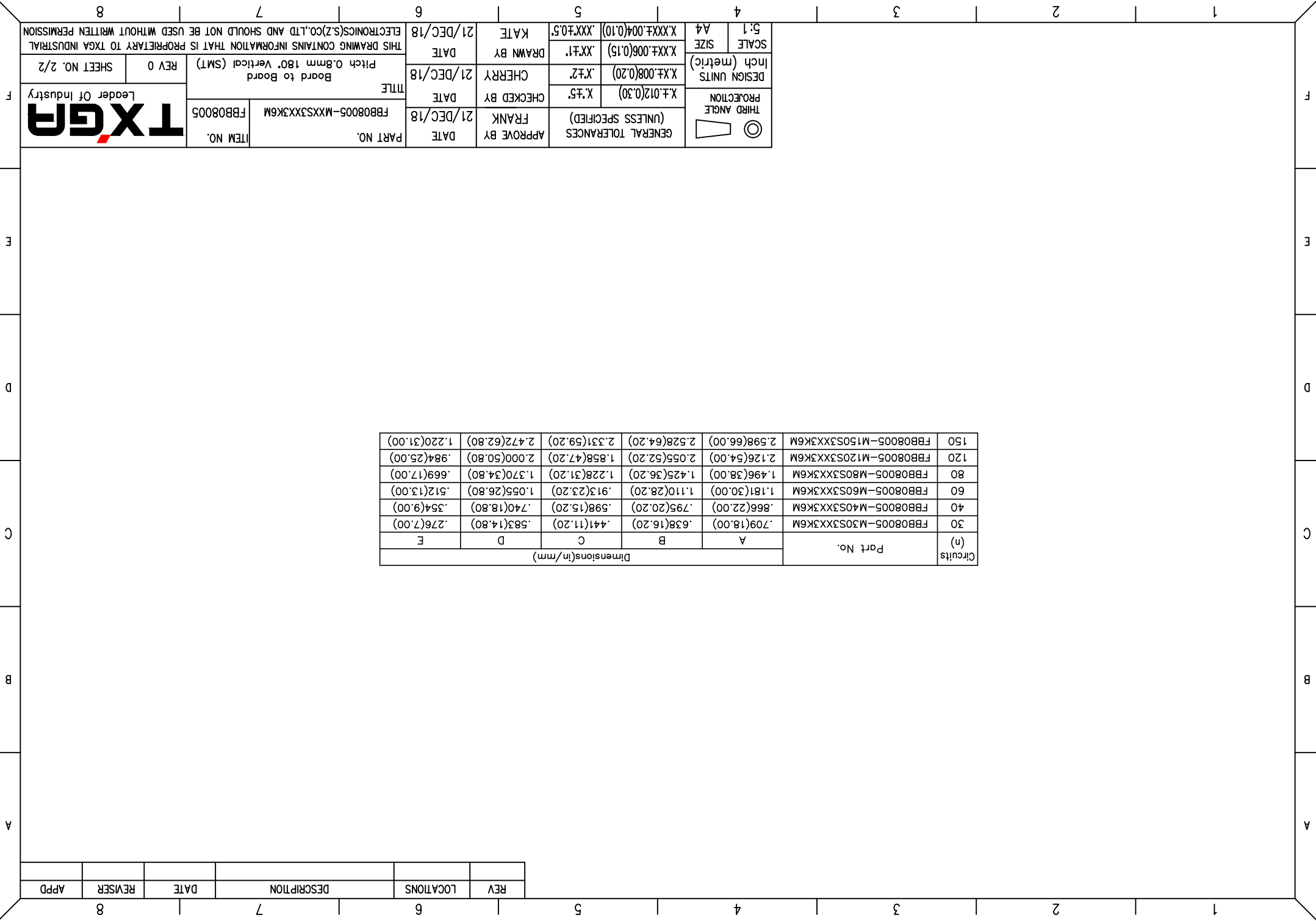


THIRD ANGLE PROJECTION	DESIGN UNITS	X.XX±.012(0.30)	X.XX±.012(0.30)	DATE	21/DEC/18	PART NO.	FBB08005-MXXS3XX3K6M	ITEM NO.	FBB08005	TXGA Leader Of Industry	
	Inch (metric)	X.XX±.008(0.20)	X.XX±.008(0.20)	CHECKED BY	CHERRY	TITLE	Board to Board	REV 0	SHEET NO. 1/2		
SCALE	SIZE	X.XX±.006(0.15)	X.XX±.006(0.15)	DRAWN BY	KATE	DATE	21/DEC/18	THIS DRAWING CONTAINS INFORMATION THAT IS PROPRIETARY TO TXGA INDUSTRIAL ELECTRONICS(SZ)CO.,LTD AND SHOULD NOT BE USED WITHOUT WRITTEN PERMISSION			
5:1	A4	X.XX±.004(0.10)	X.XX±.004(0.10)	APPROVE BY	FRANK	DATE	21/DEC/18				
GENERAL TOLERANCES (UNLESS SPECIFIED)		X.XX±.05									

APPD	REVISER	DATE	DESCRIPTION	LOCATIONS	REV
------	---------	------	-------------	-----------	-----

Circuits (n)	Part No.	Dimensions(in/mm)			
		A	B	C	D
30	FB08005-M30S3XX3K6M	.709(18.00)	.638(16.20)	.441(11.20)	.583(14.80)
40	FB08005-M40S3XX3K6M	.866(22.00)	.795(20.20)	.598(15.20)	.740(18.80)
60	FB08005-M60S3XX3K6M	1.181(30.00)	1.110(28.20)	.913(23.20)	1.055(26.80)
80	FB08005-M80S3XX3K6M	1.496(38.00)	1.425(36.20)	1.228(31.20)	1.370(34.80)
120	FB08005-M120S3XX3K6M	2.126(54.00)	2.055(52.20)	1.858(47.20)	2.000(50.80)
150	FB08005-M150S3XX3K6M	2.598(66.00)	2.528(64.20)	2.331(59.20)	2.472(62.80)

 THIRD ANGLE PROJECTION	DESIGN UNITS	X.XX±.012(0.30)	X.XX±.012(0.30)	APPROVE BY	FRANK	DATE	21/DEC/18	PART NO.	FB08005-MXXX3XX3K6M	ITEM NO.	FB08005
	Inch (metric)	X.XX±.008(0.20)	X.XX±.008(0.20)	CHECKED BY	CHEERY	DATE	21/DEC/18	TITLE	Board to Board	Pitch 0.8mm 180° Vertical (SMT)	REV 0
SCALE	SIZE	X.XX±.006(0.15)	X.XX±.004(0.10)	DRAWN BY	KATE	DATE	21/DEC/18	THIS DRAWING CONTAINS INFORMATION THAT IS PROPRIETARY TO TXGA INDUSTRIAL ELECTRONICS(SZ)CO.,LTD AND SHOULD NOT BE USED WITHOUT WRITTEN PERMISSION			
5:1	A4										



X-ON Electronics

Largest Supplier of Electrical and Electronic Components

Click to view similar products for [Board to Board & Mezzanine Connectors](#) category:

Click to view products by [TXGA](#) manufacturer:

Other Similar products are found below :

[10135583-642402LF](#) [89885-310LF](#) [589158040000018](#) [6-1393048-0](#) [68683-613](#) [MDF7-12DP-2.54DSA](#) [MDF7-18P-2.54DSA\(01\)](#) [MDF7-20DP-2.54DSA](#) [MDF7-26D-2.54DSA\(55\)](#) [MDF7-3P-2.54DSA\(01\)](#) [MDF7B-20P-2.54DSA\(01\)](#) [MDF7B-3P-2.54DSA\(55\)](#) [MDF7C-11P-2.54DSA\(55\)](#) [MDF7C-18P-2.54DSA\(55\)](#) [MDF7C-5P-2.54DSA\(01\)](#) [MDF7P-5P-2.54DSA\(55\)](#) [75234-0516](#) [FCN-230C068-11](#) [FCN-268F012-G/BD](#) [FCN-268F036-G/BD](#) [FCN-268M012-G/0D](#) [FCN-268M024-G/1D](#) [FCN-360C008-C](#) [FCN-360C040-C](#) [FCN-723J004/1](#) [MIS-048-01-F-D-DP-K](#) [832-10-034-10-001000](#) [93696-325LF](#) [11828-1FA](#) [AXK630345P](#) [18097-0013](#) [ICA-328STT](#) [2007042-2](#) [304400-2](#) [FCN-214Q030-G/0](#) [FCN-215Q040-G/0](#) [FCN-230C068-ESA](#) [FCN-234P048-G/0](#) [FCN-235D050-G/C](#) [FCN-360A3](#) [FCN-360C040-B](#) [210-93-314-41-105000](#) [2-22603-0](#) [379-064-521-202](#) [MDF7-12P-2.54DSA\(01\)](#) [MDF7-16P-2.54DS\(56\)](#) [MDF7-40DP-2.54DSA\(55\)](#) [MDF7-8P-2.54DSA\(55\)](#) [MDF7B-16P-2.54DSA\(55\)](#) [AXG720047](#)