

REV	LOCATIONS	DESCRIPTION	DATE	REVISER	APPD

Electrical
 Current Rating: 0.5A AC(rms)/DC
 Voltage Rating: 50V AC(rms)/DC
 Contact Resistance: 50 mΩ Max.
 Insulation Resistance: 500 MΩ Min.
 Withstanding Voltage: 200V AC r.m.s
 Temperature Range-Operating: -35°C~+85°C
Material and Plating
 Housing: LCP (UL94V-0)
 Contacts Pin: Phosphor Bronze
 Plating: Gold plated

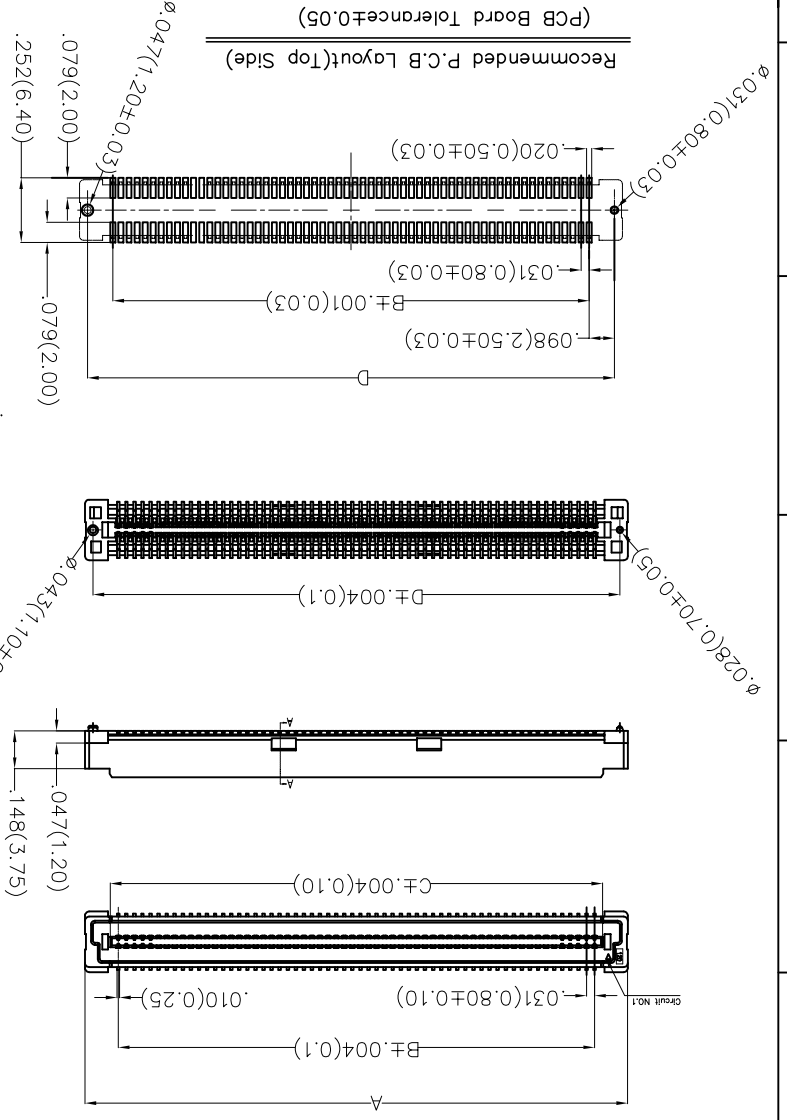
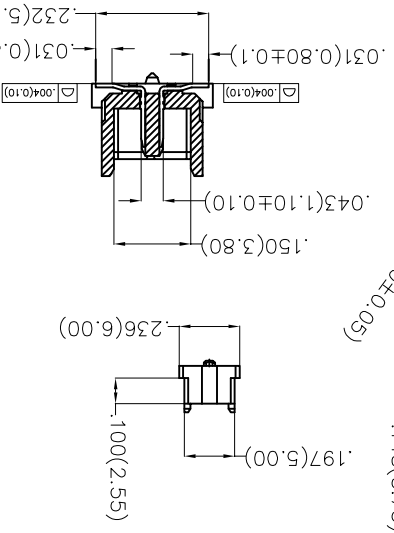
Circuits (n)	Part No.	Dimensions(in/mm)			
		A	B	C	D
40	FBB08006-M40S1XX3WSM	.858(21.80)	.598(15.20)	.661(16.80)	.795(20.20)
50	FBB08006-M50S1XX3WSM	1.016(25.80)	.756(19.20)	.819(20.80)	.953(24.20)
60	FBB08006-M60S1XX3WSM	1.173(29.80)	.913(23.20)	.976(24.80)	1.110(28.20)
80	FBB08006-M80S1XX3WSM	1.488(37.80)	1.228(31.20)	1.291(32.80)	1.425(36.20)
100	FBB08006-M100S1XX3WSM	1.803(45.80)	1.543(39.20)	1.606(40.80)	1.740(44.20)
120	FBB08006-M120S1XX3WSM	2.118(53.80)	1.858(47.20)	1.921(48.80)	2.055(52.20)

Ordering Information

1	Category	FBB-Board To Board
2	Series Number	080-Pitch 0.8mm
3	Distinction No.	06
4	Type	M-Male
5	Circuits	XX
6	Entry Angle	S-180° Vertical
7	Plating	1-Gold plated
8	Thickness of Plating	01-1µ" 05-5µ" Custom plate available
9	Material-Resin	3-LCP Material-Resin
10	Color-Resin	WS-Natural
11	Packaging	M-Reel

THIRD ANGLE PROJECTION	DESIGN UNITS	X.XX±.008(0.20)	X.XX±.006(0.15)	X.XX±.004(0.10)	X.XX±.05	SCALE	5:1	
	APPROVE BY	FRANK	DATE	14/AUG/19	APPROVE BY	ZOEY	DATE	14/AUG/19
GENERAL TOLERANCES (UNLESS SPECIFIED)	CHECKED BY	CHERRY	DATE	14/AUG/19	DRAWN BY	ZOEY	DATE	14/AUG/19
	ITEM NO.	FBB08006	TITLE	Board to Board Pitch 0.8mm 180° Vertical (SMT)	REV 0	SHEET NO. 1/1	THIS DRAWING CONTAINS INFORMATION THAT IS PROPRIETARY TO TXGA INDUSTRIAL ELECTRONICS(SZ)CO.,LTD AND SHOULD NOT BE USED WITHOUT WRITTEN PERMISSION	

Section A-A
Scale 2:1



X-ON Electronics

Largest Supplier of Electrical and Electronic Components

Click to view similar products for [Board to Board & Mezzanine Connectors](#) category:

Click to view products by [TXGA](#) manufacturer:

Other Similar products are found below :

[10135583-642402LF](#) [89885-310LF](#) [589158040000018](#) [6-1393048-0](#) [68683-613](#) [MDF7-12DP-2.54DSA](#) [MDF7-18P-2.54DSA\(01\)](#) [MDF7-20DP-2.54DSA](#) [MDF7-26D-2.54DSA\(55\)](#) [MDF7-3P-2.54DSA\(01\)](#) [MDF7B-20P-2.54DSA\(01\)](#) [MDF7B-3P-2.54DSA\(55\)](#) [MDF7C-11P-2.54DSA\(55\)](#) [MDF7C-18P-2.54DSA\(55\)](#) [MDF7C-5P-2.54DSA\(01\)](#) [MDF7P-5P-2.54DSA\(55\)](#) [75234-0516](#) [FCN-230C068-11](#) [FCN-268F012-G/BD](#) [FCN-268F036-G/BD](#) [FCN-268M012-G/0D](#) [FCN-268M024-G/1D](#) [FCN-360C008-C](#) [FCN-360C040-C](#) [FCN-723J004/1](#) [MIS-048-01-F-D-DP-K](#) [832-10-034-10-001000](#) [93696-325LF](#) [11828-1FA](#) [AXK630345P](#) [18097-0013](#) [ICA-328STT](#) [2007042-2](#) [304400-2](#) [FCN-214Q030-G/0](#) [FCN-215Q040-G/0](#) [FCN-230C068-ESA](#) [FCN-234P048-G/0](#) [FCN-235D050-G/C](#) [FCN-360A3](#) [FCN-360C040-B](#) [210-93-314-41-105000](#) [2-22603-0](#) [379-064-521-202](#) [MDF7-12P-2.54DSA\(01\)](#) [MDF7-16P-2.54DS\(56\)](#) [MDF7-40DP-2.54DSA\(55\)](#) [MDF7-8P-2.54DSA\(55\)](#) [MDF7B-16P-2.54DSA\(55\)](#) [AXG720047](#)