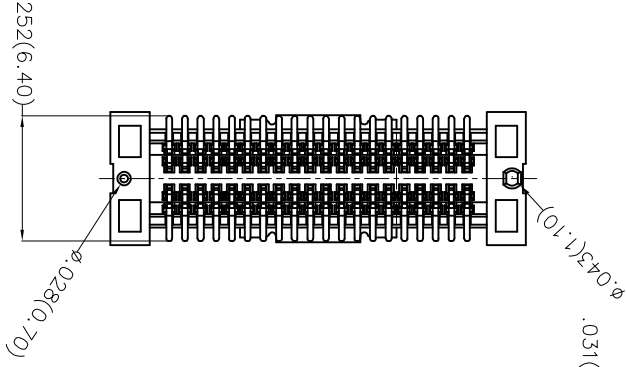
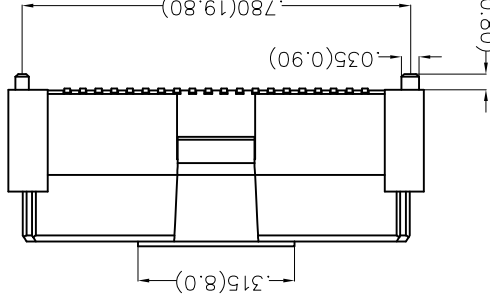
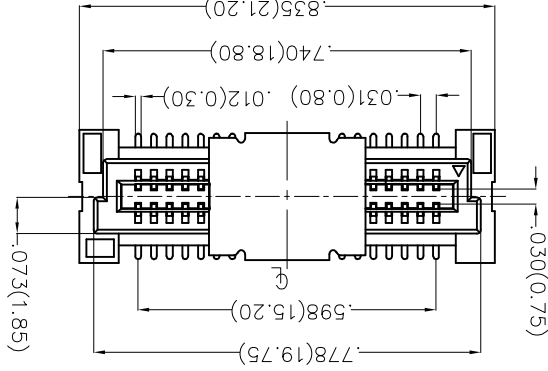
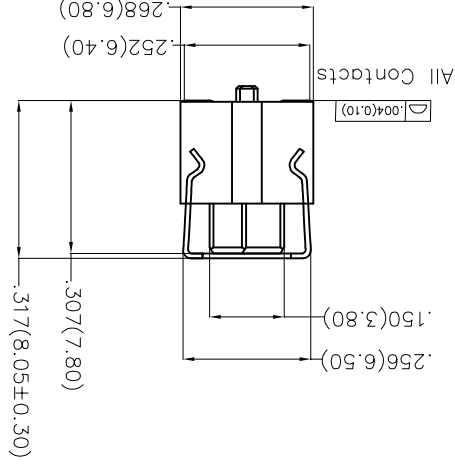
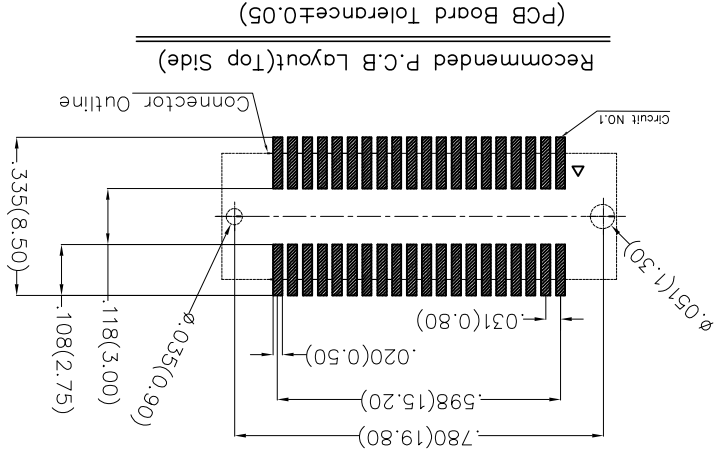


REV	LOCATIONS	DESCRIPTION	DATE	REVISER	APPD

**Electrical**  
 Current Rating: 0.5A AC(rms)/DC  
 Voltage Rating: 50V AC(rms)/DC  
 Contact Resistance: 50 mΩ Max.  
 Insulation Resistance: 500 MΩ Min.  
 Withstanding Voltage: 200V AC r.m.s  
 Temperature Range—Operating: -35°C~+85°C  
 Material and Plating  
 Housing: LCP (UL94V-0)  
 Contacts Pin: Phosphor Bronze  
 Plating: Selective gold in contact area,  
 tin on tail



1	Category	FBB—Board To Board
2	Series Number	080—Pitch:0.8mm
3	Distinction No.	07
4	Type	F—Female
5	Circuits	40
6	Entry Angle	S—180° Vertical
7	Plating	3—Selective gold in contact area, tin on tail 01—1" 05—5"
8	Thickness of Plating	Material—Resin 3—LCP 9
9	Material—Resin	10
10	Color—Resin	11
11	Packaging	M—Reel

FBB 080 07 — F 40 S 3 XX 3 W5 M  
 1 2 3 4 5 6 7 8 9 10 11

## Ordering Information

THIRD ANGLE PROJECTION	DESIGN UNITS	X.X±.012(0.30)	X.±.5	CHECKED BY	FRANK	DATE	14/AUG/19	APPROVE BY	FRANK	DATE	14/AUG/19	PART NO.	FBB08007-F40S3XX3W5M	ITEM NO.	FBB08007
	Inch (metric)	X.X±.006(0.15)	.XX±.1	DRAWN BY	CHEERY	DATE	14/AUG/19	Board to Board Pitch 0.8mm 180° Vertical (SMT)	REV 0	SHEET NO. 1/1					
SCALE	SIZE	A4	X.XXX±.004(0.10)	.XXX±0.5	ZOEY	DATE	14/AUG/19	ELECTRONICS(Z)CO.,LTD AND SHOULD NOT BE USED WITHOUT WRITTEN PERMISSION							

**TXGR**  
 Leader Of Industry

## X-ON Electronics

Largest Supplier of Electrical and Electronic Components

*Click to view similar products for [Board to Board & Mezzanine Connectors](#) category:*

*Click to view products by [TXGA](#) manufacturer:*

Other Similar products are found below :

[10135583-642402LF](#) [89885-310LF](#) [589158040000018](#) [6-1393048-0](#) [68683-613](#) [MDF7-12DP-2.54DSA](#) [MDF7-18P-2.54DSA\(01\)](#) [MDF7-20DP-2.54DSA](#) [MDF7-26D-2.54DSA\(55\)](#) [MDF7-3P-2.54DSA\(01\)](#) [MDF7B-20P-2.54DSA\(01\)](#) [MDF7B-3P-2.54DSA\(55\)](#) [MDF7C-11P-2.54DSA\(55\)](#) [MDF7C-18P-2.54DSA\(55\)](#) [MDF7C-5P-2.54DSA\(01\)](#) [MDF7P-5P-2.54DSA\(55\)](#) [75234-0516](#) [FCN-230C068-11](#) [FCN-268F012-G/BD](#) [FCN-268F036-G/BD](#) [FCN-268M012-G/0D](#) [FCN-268M024-G/1D](#) [FCN-360C008-C](#) [FCN-360C040-C](#) [FCN-723J004/1](#) [MIS-048-01-F-D-DP-K](#) [832-10-034-10-001000](#) [93696-325LF](#) [11828-1FA](#) [AXK630345P](#) [18097-0013](#) [ICA-328STT](#) [2007042-2](#) [304400-2](#) [FCN-214Q030-G/0](#) [FCN-215Q040-G/0](#) [FCN-230C068-ESA](#) [FCN-234P048-G/0](#) [FCN-235D050-G/C](#) [FCN-360A3](#) [FCN-360C040-B](#) [210-93-314-41-105000](#) [2-22603-0](#) [379-064-521-202](#) [MDF7-12P-2.54DSA\(01\)](#) [MDF7-16P-2.54DS\(56\)](#) [MDF7-40DP-2.54DSA\(55\)](#) [MDF7-8P-2.54DSA\(55\)](#) [MDF7B-16P-2.54DSA\(55\)](#) [AXG720047](#)