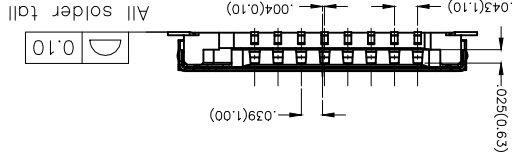
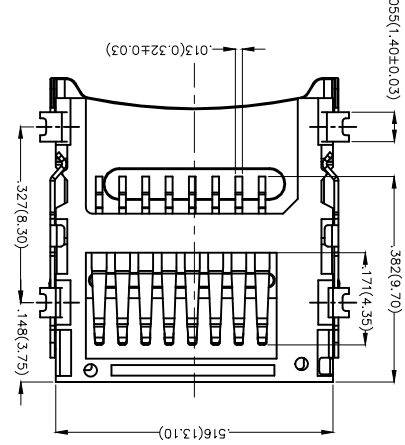
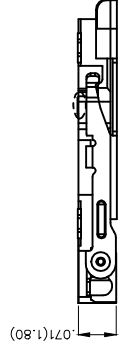
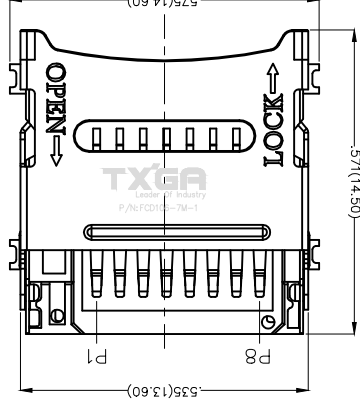
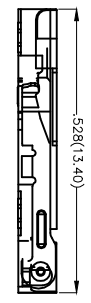
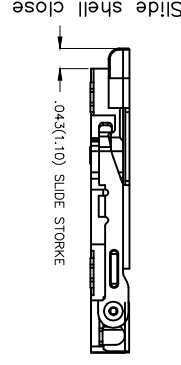
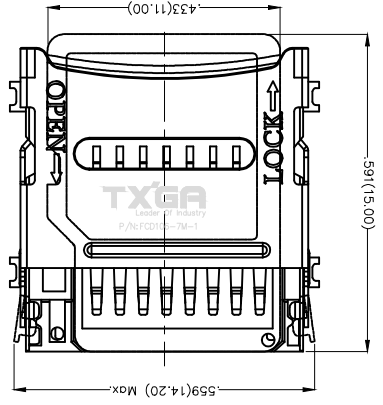


REV	LOCATIONS	DESCRIPTION	DATE	REVISER	APPD

Electrical
 Current Rating: 0.5A AC(rms)/DC
 Voltage Rating: 100V AC(rms)/DC
 Contact Resistance: 100 mΩ Max
 Insulation Resistance: 1000 MΩ MIN
 Withstanding Voltage: 500V AC r.m.s
 Temperature Range—Operating: -20°C~+80°C
 Material and Plating
 Housing: High Temperature Plastic (UL 94V-0)
 Contact Pin: Phosphor Bronze
 Plating: Selective gold in contact area, Tin on tail.
 Durability: 10,000 Times

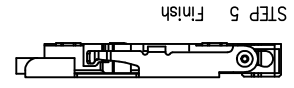
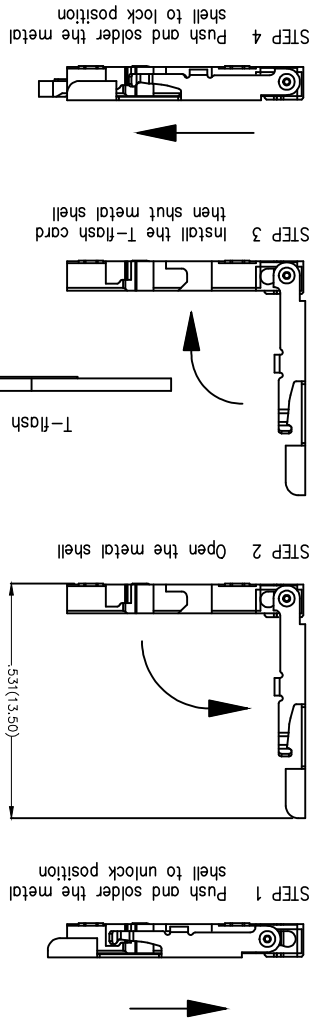


THIRD ANGLE PROJECTION	DESIGN UNITS	X.X±.012(0.30)	X.±.5	FRANK	28/JUN/13	DATE	PART NO.	FCD106-7M-1	ITEM NO.	FCD106-1	TITLE	Mirco SD card connector(H:1.8mm)	REV 0	SHEET NO. 1/2					
	SCALE	5:1	A4	CHERRY	28/JUN/13	DATE	GENERAL TOLERANCES (UNLESS SPECIFIED)	APPROVE BY	FRANK	28/JUN/13	DATE	CHECKED BY	JACOB	28/JUN/13	DATE	DRAWN BY	JACOB	28/JUN/13	DATE

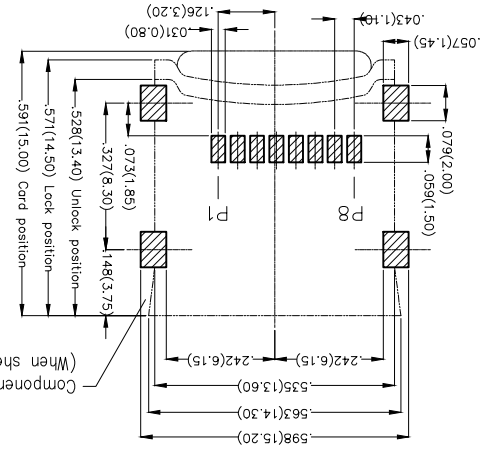


REV	LOCATIONS	DESCRIPTION	DATE	REVISER	APPD

THIRD ANGLE PROJECTION	DESIGN UNITS	X.XX±.008(0.20)	X.XX±.008(0.20)	DATE	28/JUN/13	PART NO.	FCD106-7M-1	ITEM NO.	FCD106-1	TITLE	Mirco SD card connector(H:1.8mm)	REV 0	SHEET NO. 2/2	THIS DRAWING CONTAINS INFORMATION THAT IS PROPRIETARY TO TXGA INDUSTRIAL ELECTRONICS(Z)CO.,LTD AND SHOULD NOT BE USED WITHOUT WRITTEN PERMISSION
	SCALE	5:1	A4	DATE	28/JUN/13									
GENERAL TOLERANCES (UNLESS SPECIFIED)	APPROVE BY	FRANK	CHECKED BY	JACOB	DRAWN BY	CHEERY	DATE	28/JUN/13	TXGA Leader Of Industry					



Recommended P.C.Board Layout



Component keep out area for connector.
(When shell lock or open)

Memory card pin assignment

PIN NO.	NAME	TYPE	DESCRIPTION
P1	DAT 2	I/O/PP	Date line (bit2)
P2	CD/DAT3	I/O/PP	Card detect/Date line (bit3)
P3	CMD	PP	Command Response
P4	VDD	S	Supply voltage
P5	CLK	I	Clock
P6	VSS	S	Supply voltage ground
P7	DATO	I/O/PP	Date line (bit0)
P8	DATI	I/O/PP	Date line (bit1)

X-ON Electronics

Largest Supplier of Electrical and Electronic Components

Click to view similar products for [Standard Card Edge Connectors](#) category:

Click to view products by [TXGA](#) manufacturer:

Other Similar products are found below :

[6565204-6](#) [PKC-156](#) [1437274-4](#) [147889-1](#) [1489165-4](#) [EBT156-12B1X](#) [EBT15622B2X](#) [EBT156-22R2W](#) [1-582587-1](#) [1-582589-1](#) [2-6437275-9](#) [284-0102-12100](#) [306022901000000](#) [307-012-502-202](#) [307-024-526-201](#) [307-056-520-300](#) [307-080-526-208](#) [1926088-2](#) [245-062-520-350](#) [287-0032-12101](#) [306-010-500-112](#) [306-028-525-102](#) [306-240-318](#) [307-036-502-202](#) [307-036-521-301](#) [307-072-526-202](#) [345-060-559-303](#) [368-004-520-201](#) [392-008-559-201](#) [534671-1](#) [5-530501-5](#) [341-240-317](#) [345-029-520-300](#) [345-030-500-301](#) [345-044-500-300](#) [345-220-058](#) [346-240-318](#) [387-012-523-300](#) [395-044-520-300](#) [395-100-524-300](#) [50-12B-10](#) [50-6SN-5](#) [09-07-2032](#) [10035388-106LF](#) [10035388-802LF](#) [10115859-011LF](#) [10122859-009LF](#) [101269333204245CLF](#) [10127905-B04B24BLF](#) [530555-1](#)