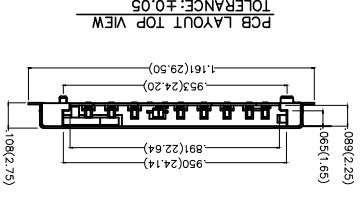
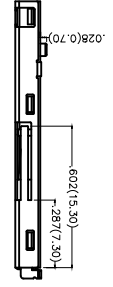
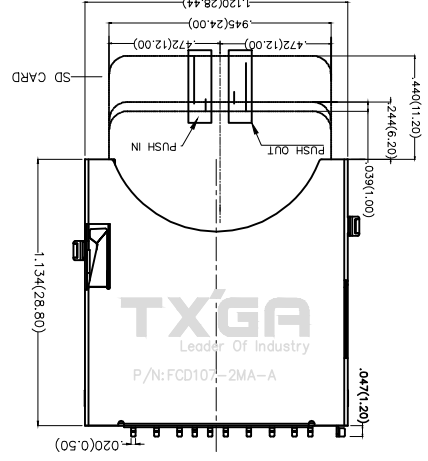
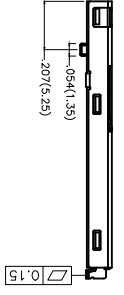
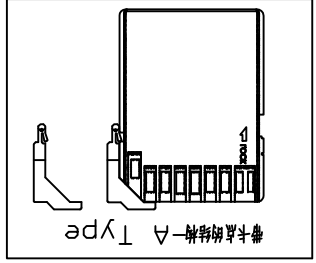


REV	LOCATIONS	DESCRIPTION	DATE	REVERSER	APPD

Electrical

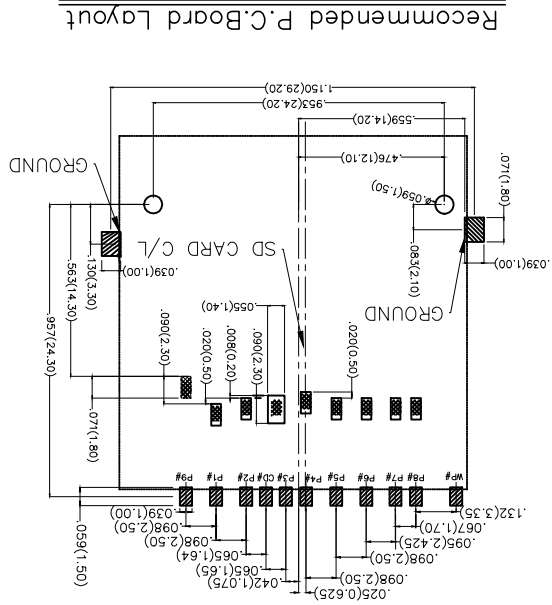
Current Rating: 0.5A AC(rms)/DC
Voltage Rating: 100V AC(rms)/DC
Contact Resistance: 80 mΩ Max
Insulation Resistance: 1000 MΩ MIN
Withstanding Voltage: 500V AC r.m.s
Temperature Range—Operating: -25℃~+80℃
Material and Plating
Housing: High Temperature Plastic (UL 94V-0)
Contact Pin: Phosphor Bronze
Plating: Gold Plated/Tin Plated
Durability: 10,000 Times



THIRD ANGLE PROJECTION	DATE	31/JUL/13	APPROVE BY	FRANK	GENERAL TOLERANCES (UNLESS SPECIFIED)
	DATE	31/JUL/13	CHECKED BY	X.F.F	X ±.012(0.30)
DESIGN UNITS	DATE	31/JUL/13	DRAWN BY	JACOB	X.XX ±.006(0.15)
Inch (metric)	DATE	31/JUL/13	DATE	31/JUL/13	.XX ±.1
SCALE	REV 0	THIS DRAWING CONTAINS INFORMATION THAT IS PROPRIETARY TO TXGA INDUSTRIAL ELECTRONICS(Z)CO.,LTD AND SHOULD NOT BE USED WITHOUT WRITTEN PERMISSION			
5:1	SHEET NO. 1/2				



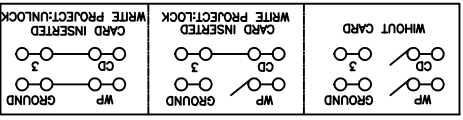
REV	LOCATIONS	DESCRIPTION	DATE	REVISER	APPD



Recommended P.C. Board Layout

Pad Area
Keep Out Area

Pin No.	Pin Assignment	TYPE	DESCRIPTION
1	CD/DAT3	1/0/PP	Card Detect/Date Line(bit3)
2	CMD	PP	Command/Response
3	VSS1	S	Supply Voltage Ground
4	VDD	S	Supply Voltage
5	CLK	I	Clock
6	VSS2	S	Supply Voltage Ground
7	DATO	1/0/PP	Date Line(bit0)
8	DAT1	1/0/PP	Date Line(bit1)
9	DAT2	1/0/PP	Date Line(bit2)



THIRD ANGLE PROJECTION	DATE	31/JUL/13	APPROVE BY	FRANK	GENERAL TOLERANCES (UNLESS SPECIFIED)
	DATE	31/JUL/13	CHECKED BY	FRANK	X.±.012(0.30)
DESIGN UNITS Inch (metric)	DATE	31/JUL/13	DRAWN BY	CHEERY	X.X±.008(0.20)
SCALE 5:1 A4	DATE	31/JUL/13	JACOB	JACOB	X.XXX±.004(0.10)
THIS DRAWING CONTAINS INFORMATION THAT IS PROPRIETARY TO TXGA INDUSTRIAL ELECTRONICS(S)Z)CO.,LTD AND SHOULD NOT BE USED WITHOUT WRITTEN PERMISSION					



PART NO.	FCD107-2MA-A
ITEM NO.	FCD107-A
TITLE	SD card connector(H:2.75mm) (Push to Push)
REV 0	SHEET NO. 2/2

8

7

6

5

4

3

2

1

E

E

D

D

C

C

B

B

A

A

8

7

6

5

4

3

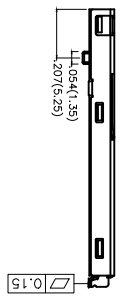
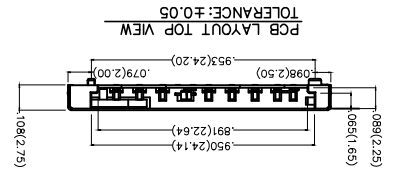
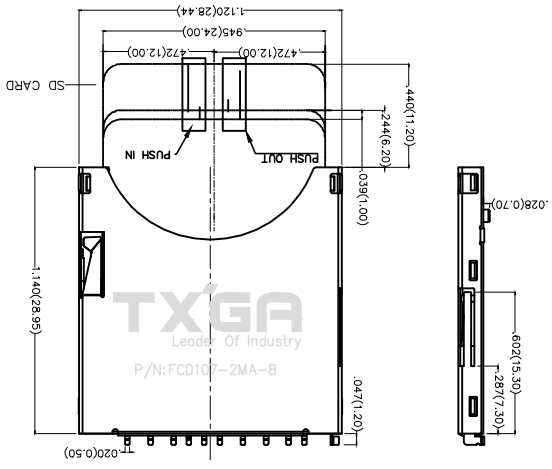
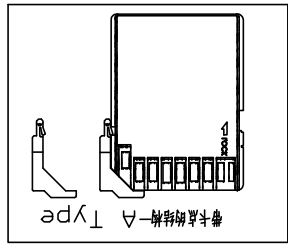
2

1

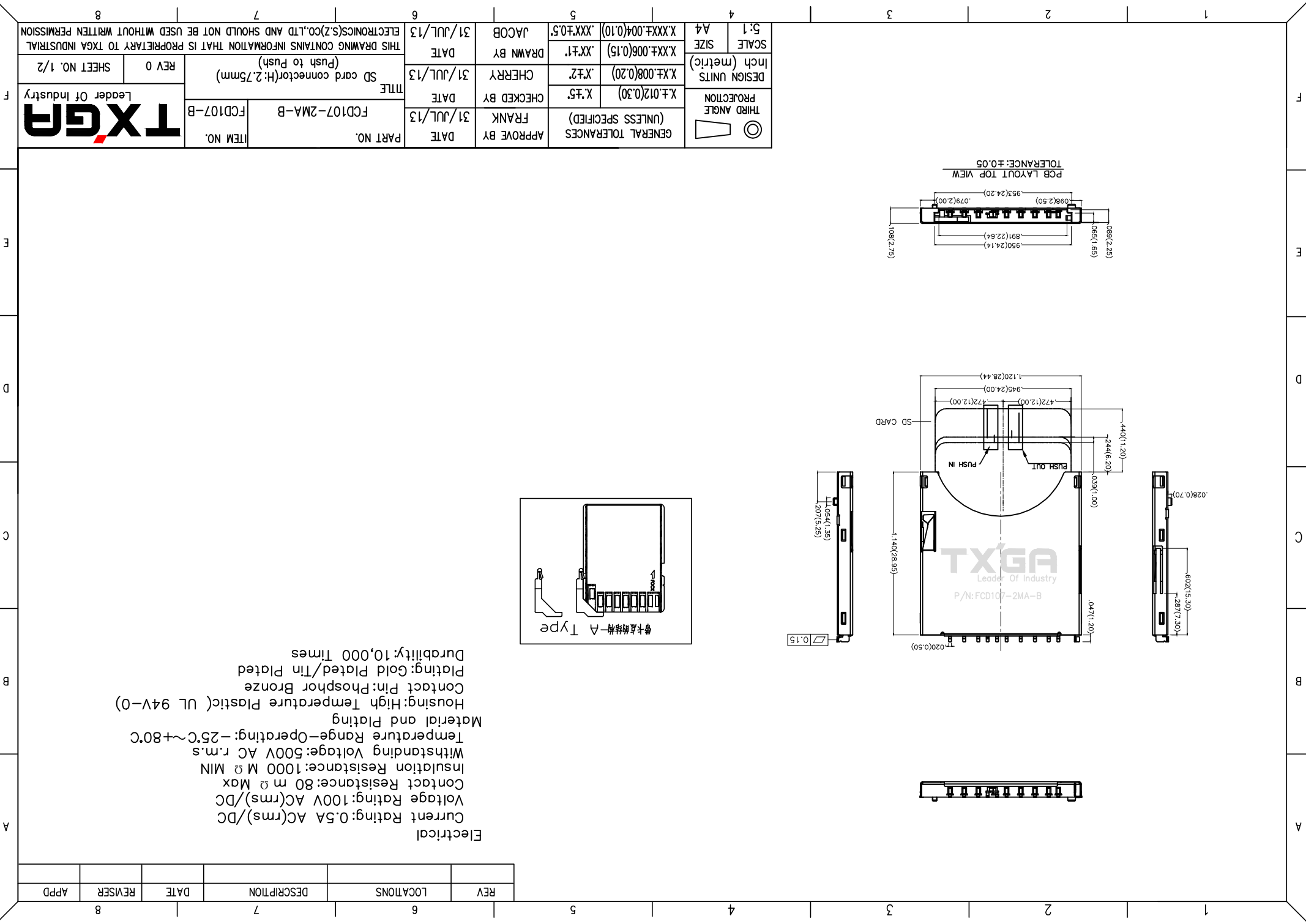
REV	LOCATIONS	DESCRIPTION	DATE	REVISER	APPD

Electrical

Current Rating:0.5A AC(rms)/DC
Voltage Rating:100V AC(rms)/DC
Contact Resistance:80 mΩ Max
Insulation Resistance:1000 MΩ MIN
Withstanding Voltage:500V AC r.m.s
Temperature Range-Operating:-25°C~+80°C
Material and Plating
Housing:High Temperature Plastic(UL 94V-0)
Contact Pin:Phosphor Bronze
Plating:Gold Plated/Tin Plated
Durability:10,000 Times



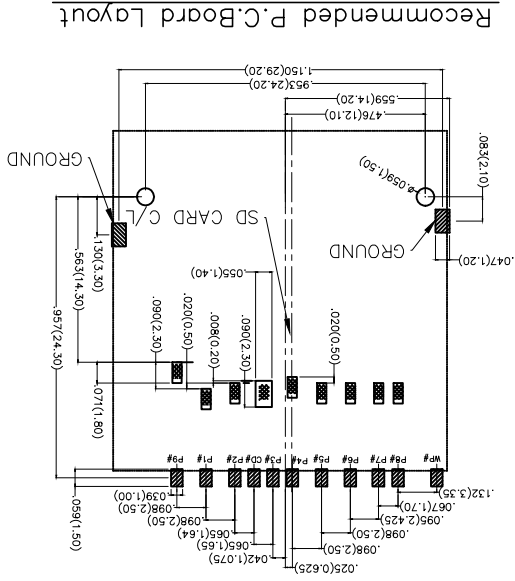
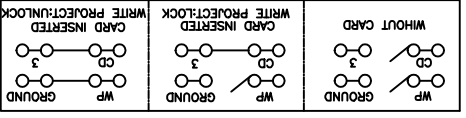
THIRD ANGLE PROJECTION	DESIGN UNITS	X.XX±.008(0.20)	X.XX±.012(0.30)	X.XX±.004(0.10)	X.XX±.0.5*	JACOB	31/JUL/13	DATE	THIS DRAWING CONTAINS INFORMATION THAT IS PROPRIETARY TO TXGA INDUSTRIAL ELECTRONICS(Z)CO.,LTD AND SHOULD NOT BE USED WITHOUT WRITTEN PERMISSION
	SCALE	A4	5:1	A4	5:1	DATE	31/JUL/13	DATE	THIS DRAWING CONTAINS INFORMATION THAT IS PROPRIETARY TO TXGA INDUSTRIAL ELECTRONICS(Z)CO.,LTD AND SHOULD NOT BE USED WITHOUT WRITTEN PERMISSION
GENERAL TOLERANCES (UNLESS SPECIFIED)	APPROVE BY	FRANK	31/JUL/13	DATE	PART NO.	FCD107-2MA-B	ITEM NO.	FCD107-B	TITLE
	CHECKED BY	CHERRY	31/JUL/13	DATE	SD card connector(H:2.75mm)	(Push to Push)	REV 0	SHEET NO. 1/2	Leader Of Industry
	DRAWN BY	JACOB	31/JUL/13	DATE	TXGA Leader Of Industry				



REV	LOCATIONS	DESCRIPTION	DATE	REVISER	APPD

THIRD ANGLE PROJECTION	GENERAL TOLERANCES (UNLESS SPECIFIED)	APPROVE BY	DATE	PART NO.	ITEM NO.
	X.±.012(0.30)	FRANK	31/JUL/13	FCD107-2MA-B	FCD107-B
DESIGN UNITS Inch (metric)	X.XX±.008(0.20)	CHECKED BY	DATE	TITLE	REV 0
	X.XX±.006(0.15)	CHERRY	31/JUL/13	SD card connector(H:2.75mm) (Push to Push)	SHEET NO. 2/2
SCALE A4	X.XX±.004(0.10)	DRAWN BY	DATE	THIS DRAWING CONTAINS INFORMATION THAT IS PROPRIETARY TO TXGA INDUSTRIAL ELECTRONICS(Z)CO.,LTD AND SHOULD NOT BE USED WITHOUT WRITTEN PERMISSION	
5:1	.XX±0.5	JACOB	31/JUL/13	8	

Pin No.	Pin Assignment	TYPE	DESCRIPTION
1	CD/DAT3	1/0/PP	Coded Detect/Date Line(bit3)
2	CMD	PP	Command/Response
3	VSS1	S	Supply Voltage Ground
4	VDD	S	Supply Voltage
5	CLK	I	Clock
6	VSS2	S	Supply Voltage Ground
7	DAT0	1/0/PP	Date Line(bit0)
8	DAT1	1/0/PP	Date Line(bit1)
9	DAT2	1/0/PP	Date Line(bit2)



E

D

C

B

A

F

E

D

C

B

A

X-ON Electronics

Largest Supplier of Electrical and Electronic Components

Click to view similar products for [Memory Card Connectors](#) category:

Click to view products by [TXGA](#) manufacturer:

Other Similar products are found below :

[M10-597810-355](#) [M21-033321-005](#) [6426-201-21343](#) [69.920.0553.0](#) [MCR60A-98D-2.54DSA\(70\)](#) [FCN-568P068-G/07-4V](#) [809180410000000](#)
[95622-003LF](#) [AD2-262F-38900-232](#) [DM3AT-SF-PEJM5\(41\)](#) [EN2997S72039F6](#) [N7E50-7516PG-20-WF](#) [IC11S-BUR-PNEJL\(71\)](#) [NX30TA-](#)
[15PAA\(50\)](#) [21920-5](#) [2041353-2](#) [FUA006-3220-0](#) [308-DS1P0811-192](#) [33CFAE-DN](#) [MI21A-50PD-SF-EJR\(91\)](#) [502431-1011](#) [5175651-2](#) [10-](#)
[247926-166](#) [10-629549-258N](#) [11327-001](#) [11327-002](#) [EN2997S02039B8](#) [EN2997S61212BN](#) [EN2997S72039B6](#) [EN2997SE02039B8](#)
[EN2997SE61212BN](#) [EN2997SE72039B6](#) [603020000](#) [617230001](#) [71-252718-32P](#) [NX1-32T-KT3K\(05\)](#) [95622-003LF](#) [91-570124-15P](#)
[192900-0488](#) [N7E50-U516RB-50-SIN0005](#) [DM1AA-SF-PEJ](#) [95079-00CALF](#) [84648-056HLF](#) [68-580163-21S](#) [33DVIR-29S12R](#)
[SF58S006VBBR2000](#) [93-570123-08P](#) [GMC020080HR](#) [125A-78C00](#) [1010040575#](#)