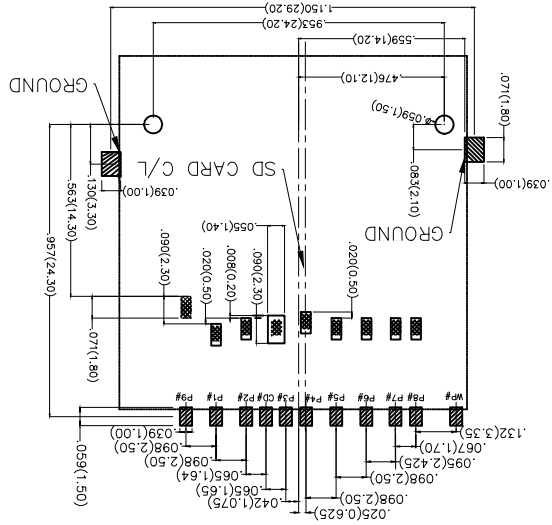
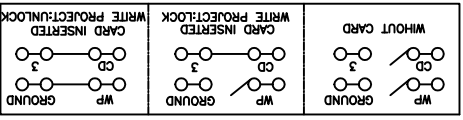


REV	LOCATIONS	DESCRIPTION	DATE	REVISER	APPD



Recommended P.C. Board Layout

Pin No.	Pin Assignment	TYPE	DESCRIPTION
1	CD/DAT3	1/0/PP	Card Detect/Date Line(bit3)
2	CMD	PP	Command/Response
3	VSS1	S	Supply Voltage Ground
4	VDD	S	Supply Voltage
5	CLK	I	Clock
6	VSS2	S	Supply Voltage Ground
7	DATO	1/0/PP	Date Line(bit0)
8	DAT1	1/0/PP	Date Line(bit1)
9	DAT2	1/0/PP	Date Line(bit2)



THIRD ANGLE PROJECTION	DATE	31/JUL/13	APPROVE BY	FRANK	GENERAL TOLERANCES (UNLESS SPECIFIED)
	DATE	31/JUL/13	CHECKED BY	X.F.F.	X.±.012(0.30)
DESIGN UNITS Inch (metric)	DATE	31/JUL/13	DRAWN BY	CHEERY	X.X±.008(0.20)
SCALE 5:1 A4	DATE	31/JUL/13	JACOB	X.XX±0.5*	X.XXX±.004(0.10)



PART NO.	FCD107-2MA-A
ITEM NO.	FCD107-A

TITLE
SD card connector(H:2.75mm)
(Push to Push)

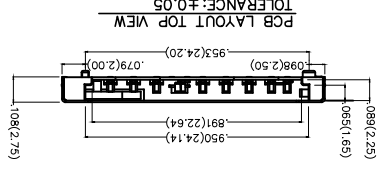
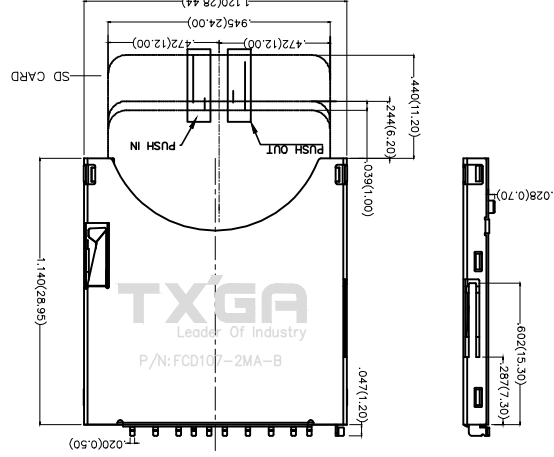
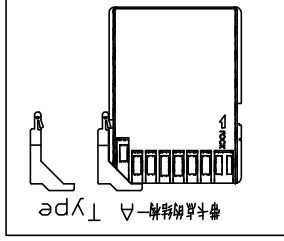
THIS DRAWING CONTAINS INFORMATION THAT IS PROPRIETARY TO TXGA INDUSTRIAL ELECTRONICS(S)Z)CO.,LTD AND SHOULD NOT BE USED WITHOUT WRITTEN PERMISSION

REV 0
SHEET NO. 2/2

REV	LOCATIONS	DESCRIPTION	DATE	REVISER	APPD

Electrical

Current Rating:0.5A AC(rms)/DC
Voltage Rating:100V AC(rms)/DC
Contact Resistance:80 mΩ Max
Insulation Resistance:1000 MΩ MIN
Withstanding Voltage:500V AC r.m.s
Temperature Range-Operating:-25°C~+80°C
Material and Plating
Housing:High Temperature Plastic(UL 94V-0)
Contact Pin:Phosphor Bronze
Plating:Gold Plated/Tin Plated
Durability:10,000 Times

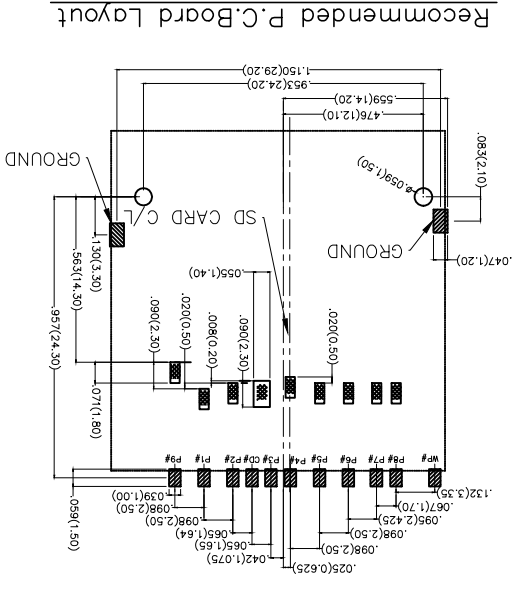


THIRD ANGLE PROJECTION	DESIGN UNITS	X.XX±.012(0.30)	X.±.5	CHECKED BY	FRANK	DATE	31/JUL/13	PART NO.	FCD107-2MA-B	ITEM NO.	FCD107-B
	Inch (metric)	X.XX±.008(0.20)	X.±.2	CHERRY		DATE	31/JUL/13	TITLE	SD card connector(H:2.75mm) (Push to Push)	REV 0	SHEET NO. 1/2
SCALE	SIZE	X.XX±.006(0.15)	X.±.1	DRAWN BY	JACOB	DATE	31/JUL/13	THIS DRAWING CONTAINS INFORMATION THAT IS PROPRIETARY TO TXGA INDUSTRIAL ELECTRONICS(Z)CO.,LTD AND SHOULD NOT BE USED WITHOUT WRITTEN PERMISSION			
5:1	A4	X.XX±.004(0.10)	.XXX±0.5								

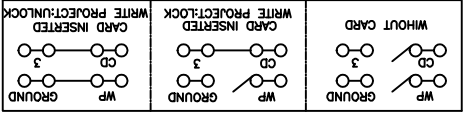
TXGA
Leader Of Industry

REV	LOCATIONS	DESCRIPTION	DATE	REVISER	APPD

THIRD ANGLE PROJECTION	GENERAL TOLERANCES (UNLESS SPECIFIED)	APPROVE BY	DATE	PART NO.	ITEM NO.
	X.±.012(0.30)	FRANK	31/JUL/13	FCD107-2MA-B	FCD107-B
DESIGN UNITS Inch (metric)	X.XX±.008(0.20)	CHECKED BY	DATE	TITLE	REV 0
	X.XX±.006(0.15)	CHERRY	31/JUL/13	SD card connector(H:2.75mm) (Push to Push)	SHEET NO. 2/2
SCALE A4	X.XX±.004(0.10)	DRAWN BY	DATE	THIS DRAWING CONTAINS INFORMATION THAT IS PROPRIETARY TO TXGA INDUSTRIAL ELECTRONICS(Z)CO.,LTD AND SHOULD NOT BE USED WITHOUT WRITTEN PERMISSION	
5:1	.XX±0.5	JACOB	31/JUL/13		



Pin No.	Pin Assignment	TYPE	DESCRIPTION
1	CD/DAT3	1/0/PP	Card Detect/Date Line(bit3)
2	CMD	PP	Command/Response
3	VSS1	S	Supply Voltage Ground
4	VDD	S	Supply Voltage
5	CLK	I	Clock
6	VSS2	S	Supply Voltage Ground
7	DAT0	1/0/PP	Date Line(bit0)
8	DAT1	1/0/PP	Date Line(bit1)
9	DAT2	1/0/PP	Date Line(bit2)



A B C D E F

A B C D E F

8 7 6 5 4 3 2 1

X-ON Electronics

Largest Supplier of Electrical and Electronic Components

Click to view similar products for [Standard Card Edge Connectors](#) category:

Click to view products by [TXGA](#) manufacturer:

Other Similar products are found below :

[6565204-6](#) [PKC-156](#) [1437274-4](#) [147889-1](#) [1489165-4](#) [EBT156-12B1X](#) [EBT15622B2X](#) [EBT156-22R2W](#) [1-582587-1](#) [1-582589-1](#) [2-6437275-9](#) [284-0102-12100](#) [306022901000000](#) [307-012-502-202](#) [307-024-526-201](#) [307-056-520-300](#) [307-080-526-208](#) [1926088-2](#) [245-062-520-350](#) [287-0032-12101](#) [306-010-500-112](#) [306-028-525-102](#) [306-240-318](#) [307-036-502-202](#) [307-036-521-301](#) [307-072-526-202](#) [345-060-559-303](#) [368-004-520-201](#) [392-008-559-201](#) [534671-1](#) [5-530501-5](#) [341-240-317](#) [345-029-520-300](#) [345-030-500-301](#) [345-044-500-300](#) [345-220-058](#) [346-240-318](#) [387-012-523-300](#) [395-044-520-300](#) [395-100-524-300](#) [50-12B-10](#) [50-6SN-5](#) [09-07-2032](#) [10035388-106LF](#) [10035388-802LF](#) [10115859-011LF](#) [10122859-009LF](#) [101269333204245CLF](#) [10127905-B04B24BLF](#) [530555-1](#)