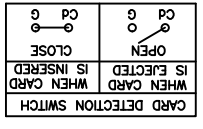
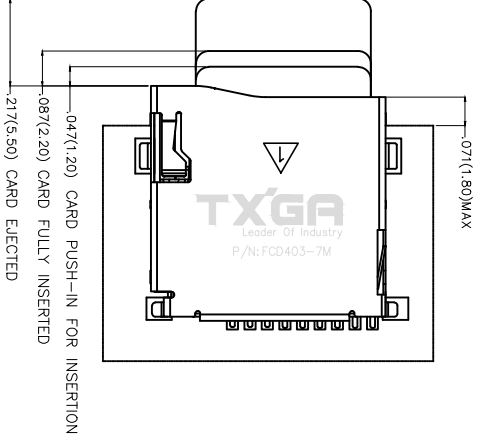
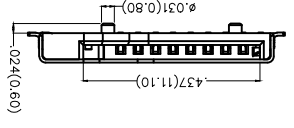
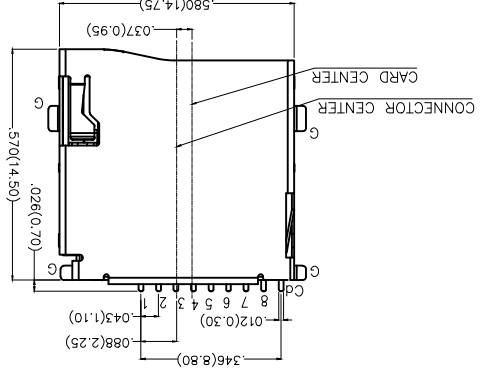
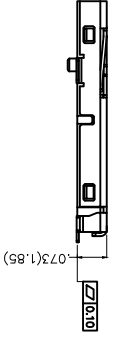
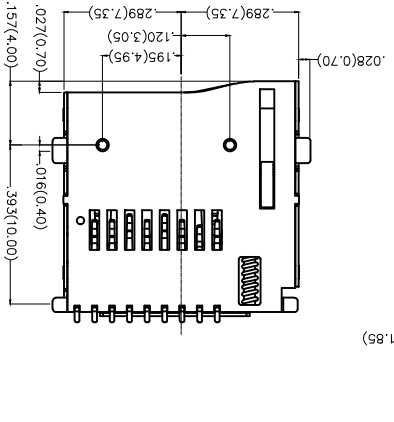
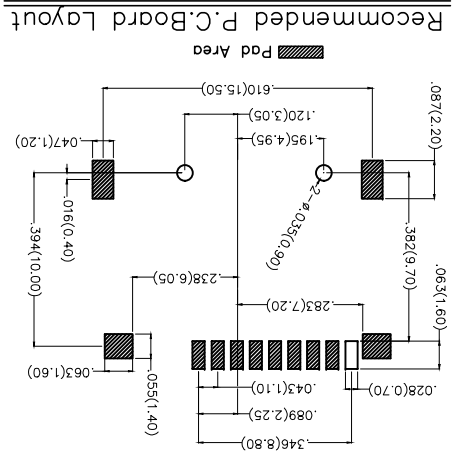


REV	LOCATIONS	DESCRIPTION	DATE	REVISER	APPD
1		Add the "TXGA" logo	11/JUL/18	KATE	ANDY

Electrical

Current Rating: 0.5A AC(rms)/DC
Voltage Rating: 100V AC(rms)/DC
Contact Resistance: 30 mΩ Max
Insulation Resistance: 1000 MΩ MIN
Withstanding Voltage: 500V AC r.m.s
Temperature Range—Operating: -25°C~+80°C
Material and Plating
Housing: High Temperature Plastic (UL 94V-0)
Contact Pin: Phosphor Bronze
Plating: Gold Plated
Durability: 10,000 Times



Pin No.	Pin assignment	Pin No.	Pin assignment
1	DATA2	5	CLK
2	CD/DAT3	6	VSS
3	CMD	7	DAT0
4	VDD	8	DAT1
CD	CARD DETECTION	g	GROUND

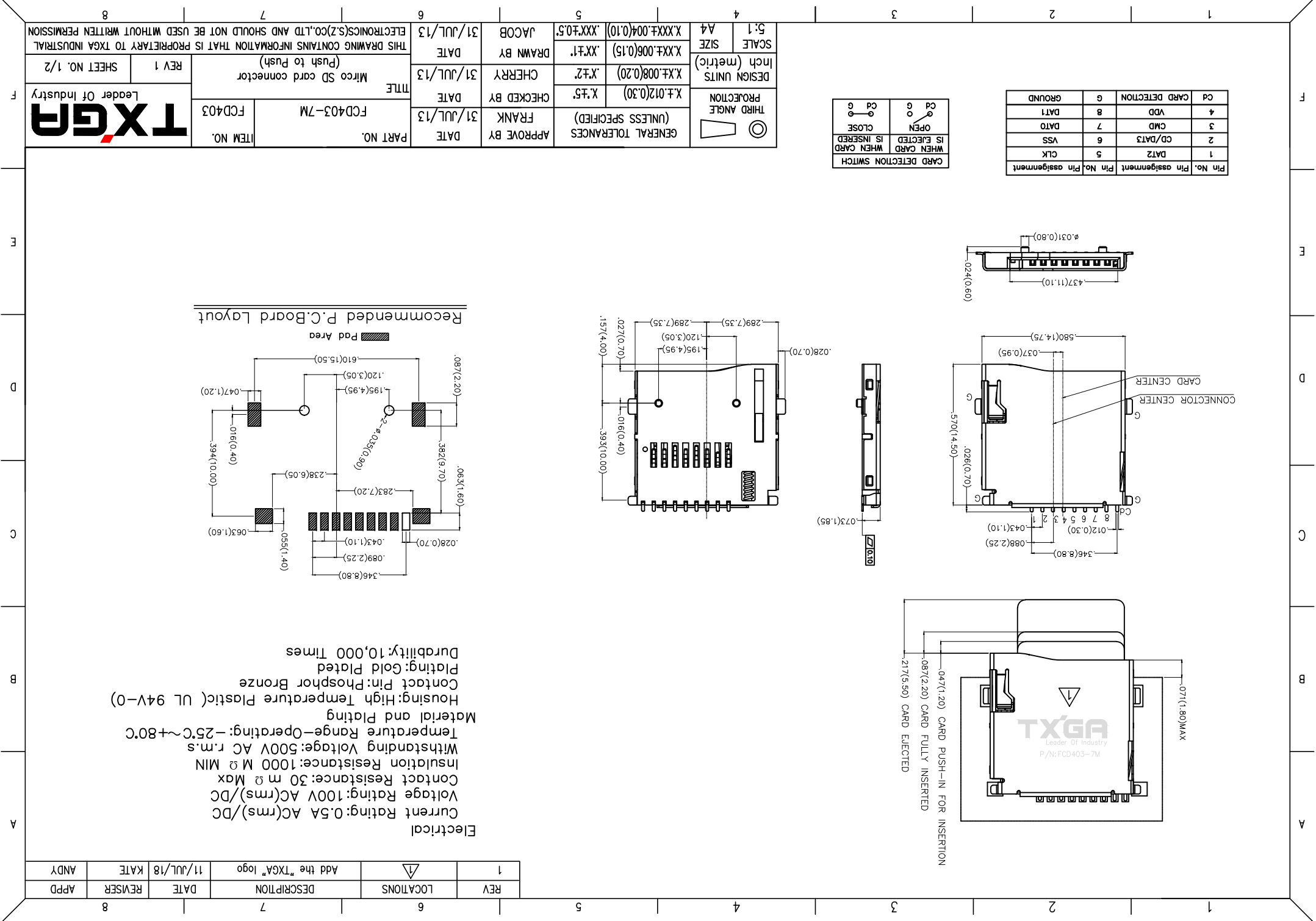
DESIGN UNITS Inch (metric)	SCALE	5:1	DRAWN BY JACOB	DATE	31/JUL/13	GENERAL TOLERANCES (UNLESS SPECIFIED)	APPROVE BY FRANK	DATE	31/JUL/13
	SIZE	A4		CHECKED BY CHERRY	TITLE		Mitro SD card connector (Push to Push)	ITEM NO.	FCD403
THIRD ANGLE									



THIS DRAWING CONTAINS INFORMATION THAT IS PROPRIETARY TO TXGA INDUSTRIAL ELECTRONICS(Z)CO.,LTD AND SHOULD NOT BE USED WITHOUT WRITTEN PERMISSION

SHEET NO. 1/2

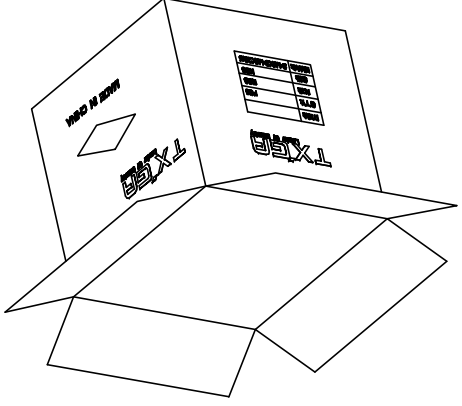
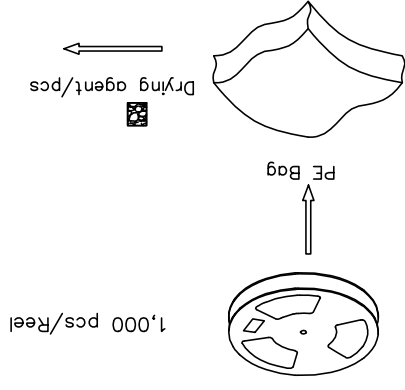
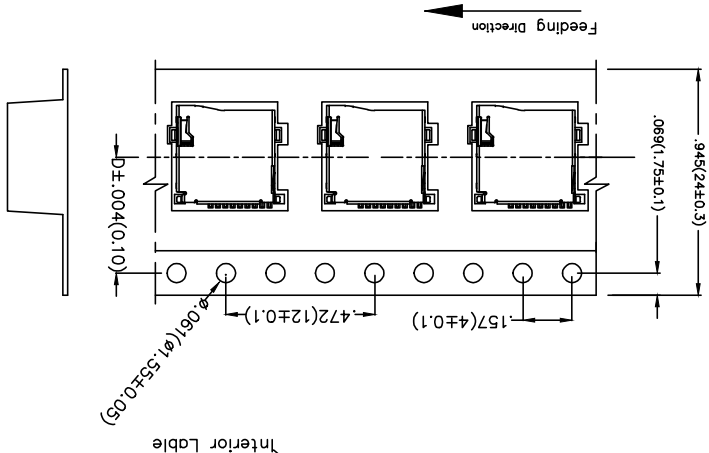
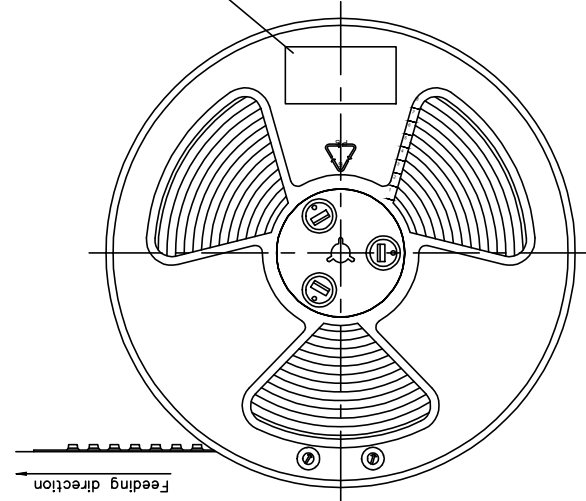
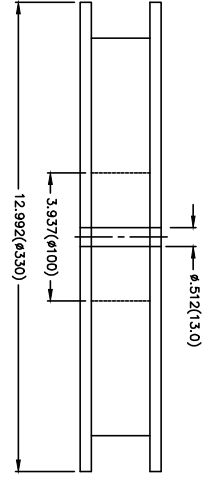
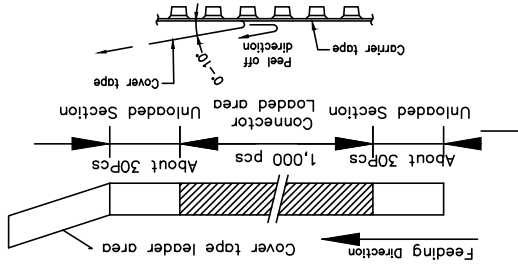
REV 1



REV	LOCATIONS	DESCRIPTION	DATE	REVISER	APPD

Note:

1. 10 sprocket hole cumulative tolerance ±.008(0.2)
2. Carrier camber is within 1.0mm in 100mm
3. Material: White Conductive polystyrene Alloy 100% recyclable
4. All dimensions meet EIA-481-3 requirements
5. Component load per 13" reel: 1,000pcs



THIRD ANGLE PROJECTION		DESIGN UNITS		SCALE	
DATE	31/JUL/13	DATE	31/JUL/13	SCALE	5:1
APPROVE BY	FRANK	CHECKED BY	X.F.F	SIZE	A4
GENERAL TOLERANCES (UNLESS SPECIFIED)	X.±.012(0.30)	DRAWN BY	JACOB	THIS DRAWING CONTAINS INFORMATION THAT IS PROPRIETARY TO TXGA INDUSTRIAL ELECTRONICS(S)Z.CO.,LTD AND SHOULD NOT BE USED WITHOUT WRITTEN PERMISSION	
DATE	31/JUL/13	DATE	31/JUL/13	ELECTRONICS(S)Z.CO.,LTD AND SHOULD NOT BE USED WITHOUT WRITTEN PERMISSION	
PART NO.	FCD403-7M	TITLE	Mirco SD card connector (Push to Push)	SHEET NO. 2/2	
ITEM NO.	FCD403	REV	REV 1	Leader Of Industry	



X-ON Electronics

Largest Supplier of Electrical and Electronic Components

Click to view similar products for [Standard Card Edge Connectors](#) category:

Click to view products by [TXGA](#) manufacturer:

Other Similar products are found below :

[6565204-6](#) [PKC-156](#) [1437274-4](#) [147889-1](#) [1489165-4](#) [EBT156-12B1X](#) [EBT15622B2X](#) [EBT156-22R2W](#) [1-582587-1](#) [1-582589-1](#) [2-6437275-9](#) [284-0102-12100](#) [306022901000000](#) [307-012-502-202](#) [307-024-526-201](#) [307-056-520-300](#) [307-080-526-208](#) [1926088-2](#) [245-062-520-350](#) [287-0032-12101](#) [306-010-500-112](#) [306-028-525-102](#) [306-240-318](#) [307-036-502-202](#) [307-036-521-301](#) [307-072-526-202](#) [345-060-559-303](#) [368-004-520-201](#) [392-008-559-201](#) [534671-1](#) [5-530501-5](#) [341-240-317](#) [345-029-520-300](#) [345-030-500-301](#) [345-044-500-300](#) [345-220-058](#) [346-240-318](#) [387-012-523-300](#) [395-044-520-300](#) [395-100-524-300](#) [50-12B-10](#) [50-6SN-5](#) [09-07-2032](#) [10035388-106LF](#) [10035388-802LF](#) [10115859-011LF](#) [10122859-009LF](#) [101269333204245CLF](#) [10127905-B04B24BLF](#) [530555-1](#)