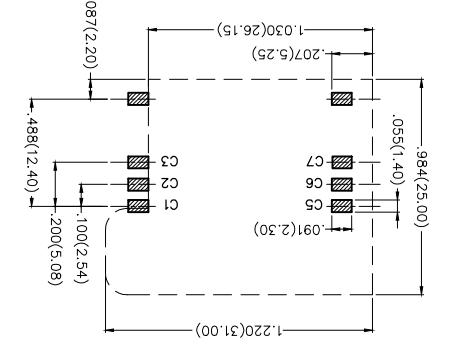


REV	LOCATIONS	DESCRIPTION	DATE	REVISER	APPD

**Electrical**

Current Rating: 0.5A AC(rms)/DC  
Voltage Rating: 50V AC(rms)/DC  
Contact Resistance: 40 mΩ Max  
Insulation Resistance: 1000 MΩ MIN  
Withstanding Voltage: 500V AC r.m.s  
Temperature Range—Operating: -25°C~+80°C  
Material and Plating  
Housing: High Temperature Plastic (UL 94V-0)  
Contact Pin: Phosphor Bronze  
Plating: Gold Plated/Tin Plated  
Durability: 5,000 Times

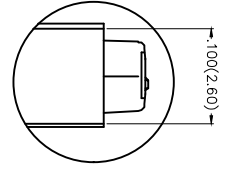
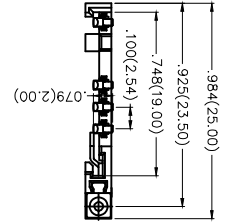
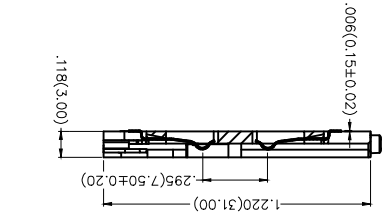
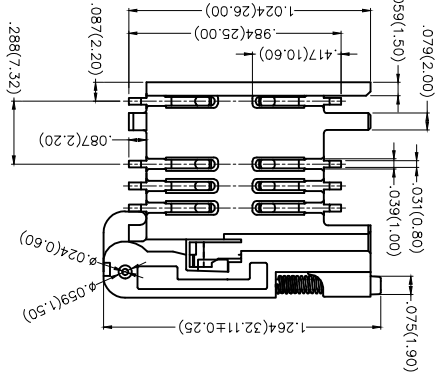
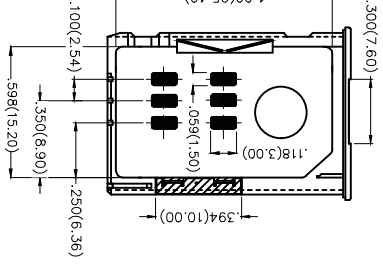
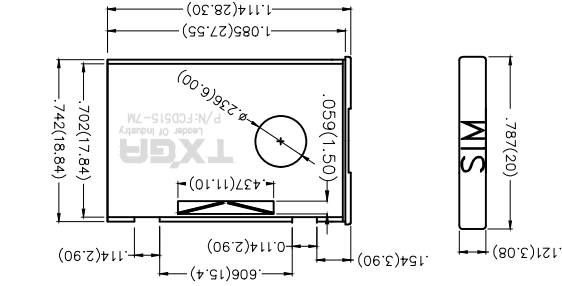


Recommended P.C.Board Layout

**Ordering Information**

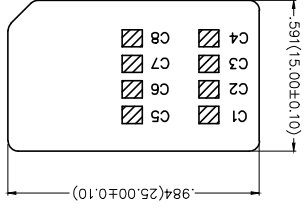
FCD 5/15 — 7/X

- 1 Category FCD—Card
- 2 Series Number 5—SIM Card
- 3 Distinction No. 15
- 4 Type 7—Outside Welding
- 5 Packaging M—Reel



Detail A  
4:1

PIN NO.	PIN NAME
C1	Supply Voltage Vcc
C2	Rest(RST)
C3	Clock CLK
C4	N/A
C5	Ground(GND)
C6	Programming Voltage Vpp
C7	I/O
C8	N/A



THIRD ANGLE	PROJECTION
DESIGN UNITS	Inch (metric)
SCALE	5:1
SIZE	A4

GENERAL TOLERANCES (UNLESS SPECIFIED)	APPROVE BY	DATE	PART NO.	ITEM NO.
X ±.012(0.30)	FRANK	28/JUN/13	FCD515-7X	FCD515
X.X ±.006(0.15)	CHECKED BY	DATE	TITLE	
X.X ±.008(0.20)	JACOB	28/JUN/13	SIM card connector(H:3mm)	REV 0
X.XX ±.004(0.10)	DRAWN BY	DATE	THIS DRAWING CONTAINS INFORMATION THAT IS PROPRIETARY TO TXGA INDUSTRIAL ELECTRONICS(Z)CO.,LTD AND SHOULD NOT BE USED WITHOUT WRITTEN PERMISSION	
X.XX ±.015	CHEERY	28/JUN/13		



SHEET NO. 1/1

## X-ON Electronics

Largest Supplier of Electrical and Electronic Components

*Click to view similar products for [Standard Card Edge Connectors](#) category:*

*Click to view products by [TXGA](#) manufacturer:*

Other Similar products are found below :

[6565204-6](#) [PKC-156](#) [1437274-4](#) [147889-1](#) [1489165-4](#) [EBT156-12B1X](#) [EBT15622B2X](#) [EBT156-22R2W](#) [1-582587-1](#) [1-582589-1](#) [2-6437275-9](#) [284-0102-12100](#) [306022901000000](#) [307-012-502-202](#) [307-024-526-201](#) [307-056-520-300](#) [307-080-526-208](#) [1926088-2](#) [245-062-520-350](#) [287-0032-12101](#) [306-010-500-112](#) [306-028-525-102](#) [306-240-318](#) [307-036-502-202](#) [307-036-521-301](#) [307-072-526-202](#) [345-060-559-303](#) [368-004-520-201](#) [392-008-559-201](#) [534671-1](#) [5-530501-5](#) [341-240-317](#) [345-029-520-300](#) [345-030-500-301](#) [345-044-500-300](#) [345-220-058](#) [346-240-318](#) [387-012-523-300](#) [395-044-520-300](#) [395-100-524-300](#) [50-12B-10](#) [50-6SN-5](#) [09-07-2032](#) [10035388-106LF](#) [10035388-802LF](#) [10115859-011LF](#) [10122859-009LF](#) [101269333204245CLF](#) [10127905-B04B24BLF](#) [530555-1](#)