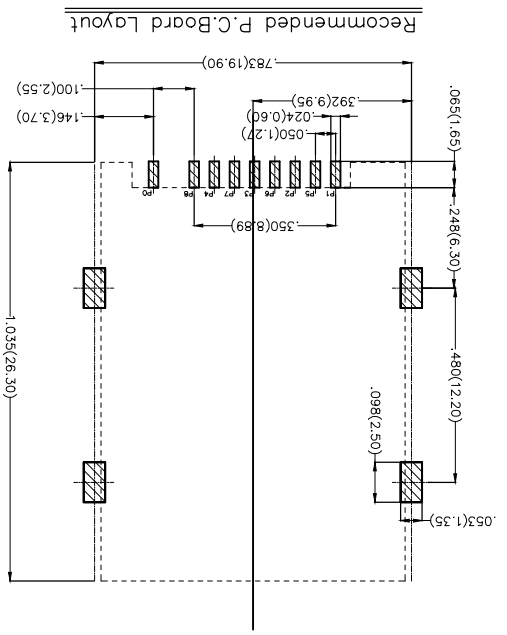
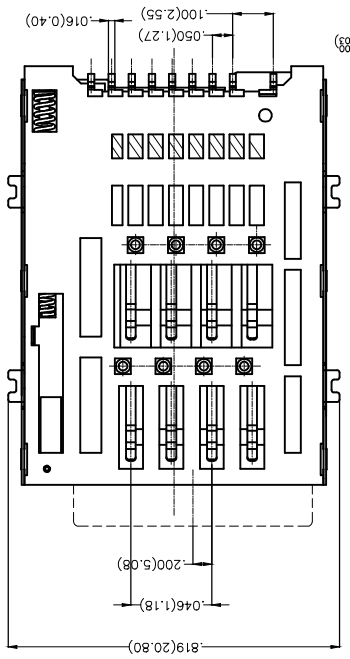
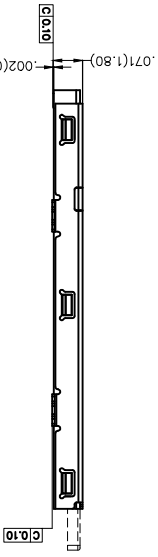
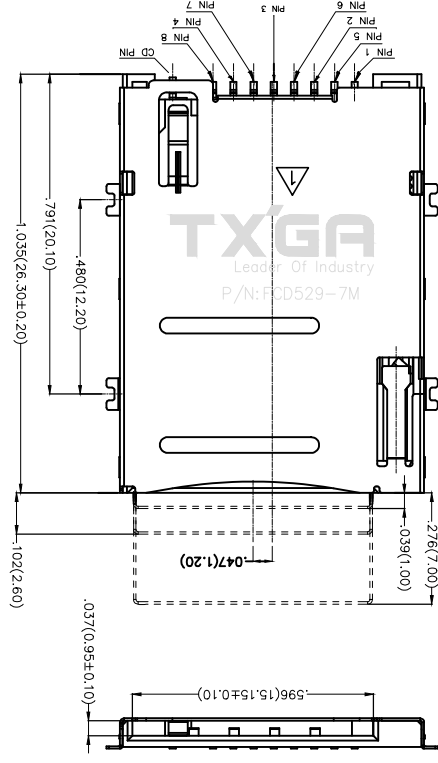


PIN NO.	PIN NAME	CD Pin	Supply Voltage Vcc	Rest(RST)	Clock (CLK)	N/A	Ground(GND)	Programming Voltage Vpp	P7	P8
									1/0	N/A



Electrical
 Current Rating: 0.5A AC(rms)/DC
 Voltage Rating: 100V AC(rms)/DC
 Contact Resistance: 100 mΩ Max
 Insulation Resistance: 1000 MΩ MIN
 Withstanding Voltage: 500V AC r.m.s
 Temperature Range—Operating: -25°C~+85°C
 Durability: 2,000 Times
 Mechanical Performance
 Insertion Force: 0.5kgf~1.5kgf
 Ejection Force: 0.5kgf~1.5kgf
Material
 Housing: High Temperature Plastic (UL 94V-0) Black
 Contact Pin: Copper Alloy
 Shell: Stainless Steel
 Plating
 Contact: Gold in contact area, tin on tail.
 Shell: Nickel plated

REV	LOCATIONS	DESCRIPTION	DATE	REVISER	APPD
1		Add the "TXGA" logo	26/OCT/18	KATE	ANDY

THIRD ANGLE PROJECTION		DESIGN UNITS	SCALE	SIZE	
		X ±.012(0.30)	5:1	A4	
GENERAL TOLERANCES (UNLESS SPECIFIED)		X ±.008(0.20)	THIS DRAWING CONTAINS INFORMATION THAT IS PROPRIETARY TO TXGA INDUSTRIAL ELECTRONICS(Z)CO.,LTD AND SHOULD NOT BE USED WITHOUT WRITTEN PERMISSION		
APPROVE BY	DATE	DATE	DATE	DATE	
FRANK	26/MAY/17	JACOB	26/MAY/17	26/MAY/17	
CHECKED BY	DATE	DRAWN BY	DATE	DATE	
X.F.F	26/MAY/17	LXF	26/MAY/17	26/MAY/17	
PART NO. FCD529-7M		TITLE		ITEM NO. FCD529	
SIM card connector(H:1.8mm)		REV 1		SHEET NO. 1/1	
Leader Of Industry		TXGA		Leader Of Industry	

X-ON Electronics

Largest Supplier of Electrical and Electronic Components

Click to view similar products for [Standard Card Edge Connectors](#) category:

Click to view products by [TXGA](#) manufacturer:

Other Similar products are found below :

[6565204-6](#) [PKC-156](#) [1437274-4](#) [147889-1](#) [1489165-4](#) [EBT156-12B1X](#) [EBT15622B2X](#) [EBT156-22R2W](#) [1-582587-1](#) [1-582589-1](#) [2-6437275-9](#) [284-0102-12100](#) [306022901000000](#) [307-012-502-202](#) [307-024-526-201](#) [307-056-520-300](#) [307-080-526-208](#) [1926088-2](#) [245-062-520-350](#) [287-0032-12101](#) [306-010-500-112](#) [306-028-525-102](#) [306-240-318](#) [307-036-502-202](#) [307-036-521-301](#) [307-072-526-202](#) [345-060-559-303](#) [368-004-520-201](#) [392-008-559-201](#) [534671-1](#) [5-530501-5](#) [341-240-317](#) [345-029-520-300](#) [345-030-500-301](#) [345-044-500-300](#) [345-220-058](#) [346-240-318](#) [387-012-523-300](#) [395-044-520-300](#) [395-100-524-300](#) [50-12B-10](#) [50-6SN-5](#) [09-07-2032](#) [10035388-106LF](#) [10035388-802LF](#) [10115859-011LF](#) [10122859-009LF](#) [101269333204245CLF](#) [10127905-B04B24BLF](#) [530555-1](#)