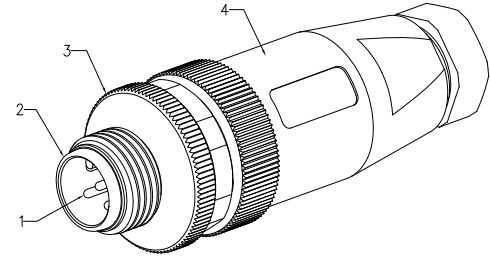
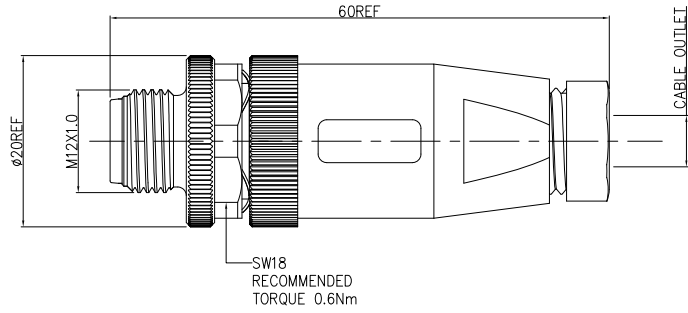
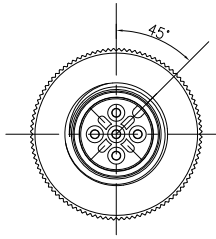


REV	LOCATIONS	DESCRIPTION	DATE	REVISER	APPD
0		New Release	24/APR		FRANK



- NOTES:
- MATERIAL:
 - No.1: CONTACT-BRASS
 - No.2: HOUSING-PA/BLACK
 - No.3: NUT-BRASS
 - No.4: HOUSING BODY-PBT+GF
 - CONTACT FINISH: GOLD OVER NICKEL OR SILVER OVER NICKEL
 - CABLE WIRES:
 - 18AWG/0.75mm² Max.FOR 2-5PINS
 - 20AWG/0.50mm² Max.FOR 8PINS
 - ALL DIMENSIONS ARE FOR NOMINAL REFERENCE ONLY UNLESS OTHERWISE STATED
 - CABLE OUTLET: PG7(CABLE FEED)4-6MM,PG9(CABLE FEED)6-8MM
 - PACKING: 1PC IN A BAG
 - ALL PRODUCT MUST COMPLIANCE WITH ROHS AND REACH.

TECHNIACAL DATA	FCQ12001-A02P22XBKB000	FCQ12001-A03P22XBKB000	FCQ12001-A04P22XBKB000	FCQ12001-A05P22XBKB000	FCQ12001-A08P22XBKB000
MALE INSERT(MATING SIDE)					
RATED VOLTAGE	250V	250V	250V	60V	30V
RATED CURRENT	4A	4A	4A	4A	2A
POLLETION DEGREE	3	3	3	3	3
OVERVOLTAGE CATEGORY	II	II	II	II	II
MATERIAL GROUP	II	II	II	II	II
CONTACT RESISTANCE	≤8mΩ	≤8mΩ	≤8mΩ	≤8mΩ	≤8mΩ
INSULATION RESISTANCE	>100MΩ	>100MΩ	>100MΩ	>100MΩ	>100MΩ
DEGREE OF PROTECTION	IP67	IP67	IP67	IP67	IP67
OPERATION TEMPERATURE	-40~85°C	-40~85°C	-40~85°C	-40~85°C	-40~85°C

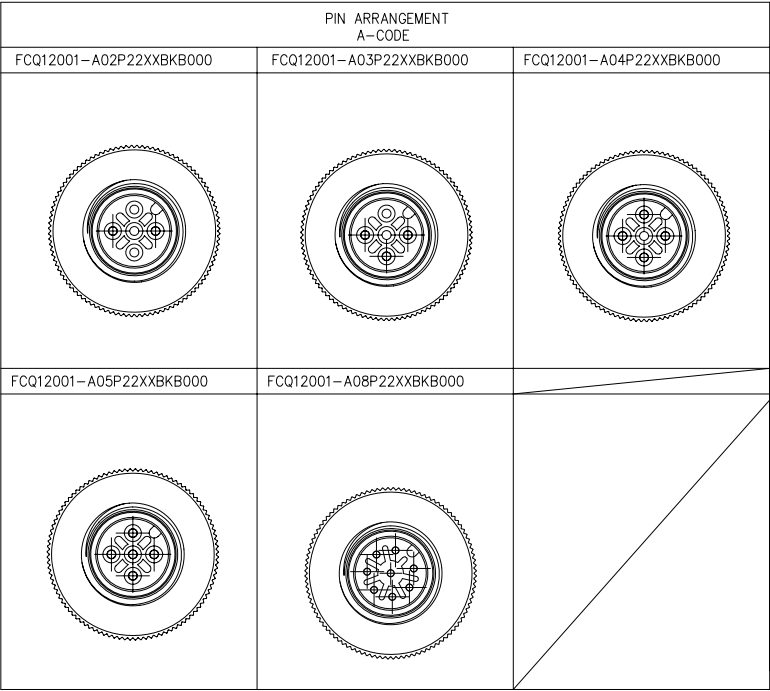
Ordering Information

FCQ 12 001 - A XX X X X X XX X XXX
 1 2 3 4 5 6 7 8 9 10 11 12 13

1 Category FCQ-Quick Contact Header	2 Series Number 12-M12	3 Distinction No. 001	4 Coded A-A CODED	5 Circuits 02-2Circuits 03-3Circuits 04-4Circuits 05-5Circuits 08-8Circuits	6 Type P-Plug	7 Coupling Nut Type 1-Plastic 2-Copper 3-Stainless Steel
8 Contact Type 1-Solder Type 2-Screw Type 3-Crimp Type 4-IDC Type	9 Contact Plating 1-Gold Plated 2-Silver Plated	10 Pressing Screw 1-PG7 2-PG9	11 Housing Color BK-Black	12 Packaging B-Bag M-Reel L-Tube	13 Version Number 000,001...	

 THIRD ANGLE PROJECTION DESIGN UNITS Inch (metric) SCALE 2:1 SIZE A4	GENERAL TOLERANCES (UNLESS SPECIFIED)		APPROVE BY FRANK	DATE 21/APR/20	PART NO. FCQ12001-AXXP22XBKB000	ITEM NO. FCQ12001	 Leader Of Industry
	X.±.012(0.30)	X.±5'	CHECKED BY CHERRY	DATE 21/APR/20	TITLE M12 MALE A CODE,STRAIGHT UNSHIELDED CONNECTOR SCREW TERMINAL		
	X.XX±.008(0.20)	.X'±2'	DRAWN BY DANIEL	DATE 21/APR/20	THIS DRAWING CONTAINS INFORMATION THAT IS PROPRIETARY TO TXGA INDUSTRIAL ELECTRONICS(S,Z)CO.,LTD AND SHOULD NOT BE USED WITHOUT WRITTEN PERMISSION		SHEET NO. 1/2
	X.XX±.006(0.15)	.XX'±1'					
X.XXX±.004(0.10)	.XXX'±0.5'						

REV	LOCATIONS	DESCRIPTION	DATE	REVISER	APPD
0		New Release	24/APR		FRANK



Contacts	P/N	CABLE OUTLET
2	FCQ12001-A02P2211BKB000	4-6MM
2	FCQ12001-A02P2212BKB000	6-8MM
3	FCQ12001-A03P2211BKB000	4-6MM
3	FCQ12001-A03P2212BKB000	6-8MM
4	FCQ12001-A04P2211BKB000	4-6MM
4	FCQ12001-A04P2212BKB000	6-8MM
5	FCQ12001-A05P2211BKB000	4-6MM
5	FCQ12001-A05P2212BKB000	6-8MM
8	FCQ12001-A08P2211BKB000	4-6MM
8	FCQ12001-A08P2212BKB000	6-8MM

 THIRD ANGLE PROJECTION	GENERAL TOLERANCES (UNLESS SPECIFIED)		APPROVE BY FRANK	DATE 21/APR/20	PART NO. FCQ12001-AXXP22XXBKB000	ITEM NO. FCQ12001	 Leader Of Industry	
	DESIGN UNITS Inch (metric)		CHECKED BY CHERRY	DATE 21/APR/20	TITLE M12 MALE A CODE, STRAIGHT UNSHIELDED CONNECTOR SCREW TERMINAL			REV 0
	SCALE 2:1	SIZE A4	X.±.012(0.30)	X.±5*	DRAWN BY DANIEL	DATE 21/APR/20	THIS DRAWING CONTAINS INFORMATION THAT IS PROPRIETARY TO TXGA INDUSTRIAL ELECTRONICS(S,Z)CO.,LTD AND SHOULD NOT BE USED WITHOUT WRITTEN PERMISSION	
			X.X±.008(0.20)	.X±2*				

1 2 3 4 5 6 7 8

A
B
C
D
E
F

A
B
C
D
E
F

1 2 3 4 5 6 7 8

X-ON Electronics

Largest Supplier of Electrical and Electronic Components

Click to view similar products for [Standard Circular Connector](#) category:

Click to view products by [TXGA](#) manufacturer:

Other Similar products are found below :

[C015 10F006 001 1](#) [5M2530B10P](#) [600247N007](#) [600259N006](#) [600273N007](#) [600432N009](#) [6280-2PG-519](#) [6280-3PG-311](#) [6280-3SG-311](#)
[6280-7SG-3DC](#) [6280-7SG-522](#) [6282-5PG-311](#) [6282-6PG-519](#) [6282-8SG-311](#) [6283-11](#) [6283-15](#) [6290](#) [6293](#) [6382-2PG-311](#) [6382-2PG-3DC](#)
[6382-2SG-321](#) [6382-2SG-3DC](#) [6382-4SG-516](#) [67-03E20-37P](#) [681-PMG](#) [CXS3102A14S2P](#) [CXS3102A181S](#) [CXS3106A14S6S](#)
[D38999/20FC8SA L/C](#) [MB12P-1](#) [MB12R-6](#) [7251-2PG-300](#) [7251-2SG-300](#) [7251-4PG-300](#) [7251-4SG-300](#) [7251-5PG-300](#) [7251-5SG-300](#)
[7251-6SG-300](#) [7251-7PG-300](#) [7251-8PG-300](#) [7271-6SG-300](#) [7282-3PG-300-CH3](#) [73000005663](#) [75-190011-03P](#) [75-190216-08S](#) [75-190218-](#)
[10P](#) [75-214636-52P](#) [75-474118-10P](#) [75-474211-03P](#) [75-474218-19S](#)