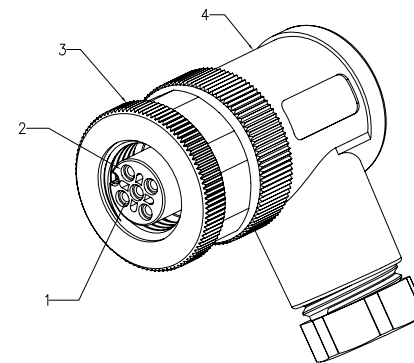
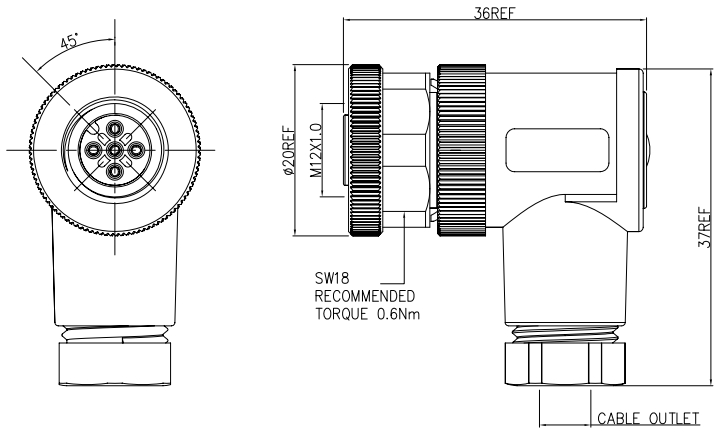


REV	LOCATIONS	DESCRIPTION	DATE	REVISER	APPD
0		New Release	24/APR		FRANK



NOTES:

1.METERIAL:

- No.1: CONTACT-BRONZE
- No.2: HOUSING-PA/BLACK
- No.3: NUT-BRASS
- No.4: HOUSING BODY-PBT+GF

2.CONTACT FINISH:

GOLD OVER NICKEL OR SILVER OVER NICKEL

3.CABLE WIRES:

- 18AWG/0.75mm² Max.FOR 2-5PINS
- 20AWG/0.50mm² Max.FOR 8PINS

4.ALL DIMENSIONS ARE FOR NOMINAL REFERENCE ONLY UNLESS OTHERWISE STAED

5.CABLE OUTLET: PG7(CABLE FEED)4-6MM,PG9(CABLE FEED)6-8MM

6.PACKING:1PC IN A BAG

7.ALL PRODUCT MUST COMPLIANCE WITH ROHS AND REACH.

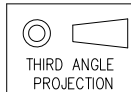
TECHNIACAL DATA	FCQ12004-A02P22XBKB000	FCQ12004-A03P22XBKB000	FCQ12004-A04P22XBKB000	FCQ12004-A05P22XBKB000	FCQ12004-A08P22XBKB000
FEMALE INSERT(MATING SIDE)					
RATED VOLTAGE	250V	250V	250V	60V	30V
RATED CURRENT	4A	4A	4A	4A	2A
POLLETION DEGREE	3	3	3	3	3
OVERVOLTAGE CATEGORY	II	II	II	II	II
MATERIAL GROUP	II	II	II	II	II
CONTACT RESISTANCE	≤8mΩ	≤8mΩ	≤8mΩ	≤8mΩ	≤8mΩ
INSULATION RESISTANCE	>100MΩ	>100MΩ	>100MΩ	>100MΩ	>100MΩ
DEGREE OF PROTECTION	IP67	IP67	IP67	IP67	IP67
OPERATION TEMPERATURE	-40~85°C	-40~85°C	-40~85°C	-40~85°C	-40~85°C

Ordering Information

FCQ 12 004 - A XX X X X X XX X XXX

1 2 3 4 5 6 7 8 9 10 11 12 13

1 Category FCQ-Quick Contact Header	2 Series Number 12-M12	3 Distinction No. 004	4 Coded A-A CODED	5 Circuits 02-2Circuits 03-3Circuits 04-4Circuits 05-5Circuits 08-8Circuits	6 Type P-Plug	7 Coupling Nut Type 1-Plastic 2-Copper 3-Stainless Steel
8 Contact Type 1-Solder Type 2-Screw Type 3-Crimp Type 4-IDC Type	9 Contact Plating 1-Gold Plated 2-Silver Plated	10 Pressing Screw 1-PG7 2-PG9	11 Housing Color BK-Black	12 Packaging B-Bag M- reel L-Tube	13 Version Number 000,001...	



THIRD ANGLE
PROJECTION

DESIGN UNITS
Inch (metric)

SCALE
2:1
SIZE
A4

GENERAL TOLERANCES
(UNLESS SPECIFIED)

X.±.012(0.30)	.X.±5°
X.X±.008(0.20)	.X.±2°
X.XX±.006(0.15)	.XX±1°
X.XXX±.004(0.10)	.XXX±0.5°

APPROVE BY
FRANK

CHECKED BY
CHERRY

DRAWN BY
DANIEL

DATE
21/APR/20

DATE
21/APR/20

DATE
21/APR/20

PART NO.

FCQ12004-AXXP22XBKB000

TITLE

M12 FEMALE A CODE,RA UNSHIELDED
CONNECTOR SCREW TERMINAL

THIS DRAWING CONTAINS INFORMATION THAT IS PROPRIETARY TO TXGA INDUSTRIAL
ELECTRONICS(S,Z)CO.,LTD AND SHOULD NOT BE USED WITHOUT WRITTEN PERMISSION

ITEM NO.

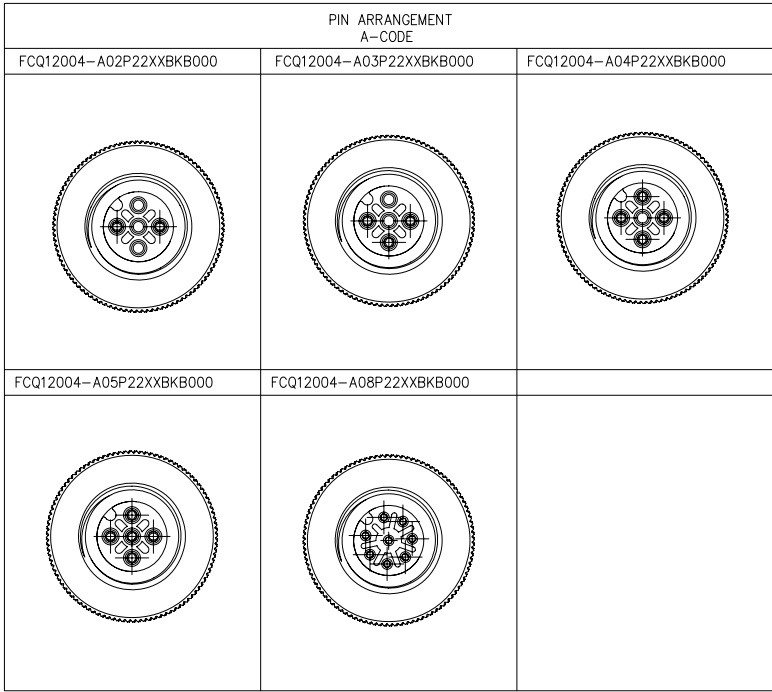
FCQ12004

TXGA
Leader Of Industry

REV 0

SHEET NO. 1/2

REV	LOCATIONS	DESCRIPTION	DATE	REVISER	APPD
0		New Release	24/APR		FRANK



FCQ12004-AXXP22XXBKB000

Contacts	P/N	CABLE OUTLET
2	FCQ12004-A02P2211BKB000	4-6MM
2	FCQ12004-A02P2212BKB000	6-8MM
3	FCQ12004-A03P2211BKB000	4-6MM
3	FCQ12004-A03P2212BKB000	6-8MM
4	FCQ12004-A04P2211BKB000	4-6MM
4	FCQ12004-A04P2212BKB000	6-8MM
5	FCQ12004-A05P2211BKB000	4-6MM
5	FCQ12004-A05P2212BKB000	6-8MM
8	FCQ12004-A08P2211BKB000	4-6MM
8	FCQ12004-A08P2212BKB000	6-8MM

 THIRD ANGLE PROJECTION	GENERAL TOLERANCES (UNLESS SPECIFIED)		APPROVE BY FRANK	DATE 21/APR/20	PART NO. FCQ12004-AXXP22XXBKB000	ITEM NO. FCQ12004	 Leader Of Industry	
	X.±.012(0.30)	X.±5'	CHECKED BY CHERRY	DATE 21/APR/20	TITLE M12 FEMALE A CODE,RA UNSHIELDED CONNECTOR SCREW TERMINAL			REV 0
	DESIGN UNITS Inch (metric)	X.X±.008(0.20)	.X±2'	DRAWN BY DANIEL	DATE 21/APR/20	THIS DRAWING CONTAINS INFORMATION THAT IS PROPRIETARY TO TXGA INDUSTRIAL ELECTRONICS(S,Z)CO.,LTD AND SHOULD NOT BE USED WITHOUT WRITTEN PERMISSION		SHEET NO. 2/2
	SCALE 2:1	SIZE A4	X.XX±.006(0.15)					
		X.XXX±.004(0.10)						

1 2 3 4 5 6 7 8

A

B

C

D

E

F

X-ON Electronics

Largest Supplier of Electrical and Electronic Components

Click to view similar products for [Standard Circular Connector](#) category:

Click to view products by [TXGA](#) manufacturer:

Other Similar products are found below :

[C015](#) [10F006](#) [001](#) [1](#) [5M2530B10P](#) [600247N007](#) [600259N006](#) [600273N007](#) [600432N009](#) [6280-2PG-519](#) [6280-3PG-311](#) [6280-3SG-311](#)
[6280-7SG-3DC](#) [6280-7SG-522](#) [6282-5PG-311](#) [6282-6PG-519](#) [6282-8SG-311](#) [6283-11](#) [6283-15](#) [6290](#) [6293](#) [6382-2PG-311](#) [6382-2PG-3DC](#)
[6382-2SG-321](#) [6382-2SG-3DC](#) [6382-4SG-516](#) [67-03E20-37P](#) [681-PMG](#) [CXS3102A14S2P](#) [CXS3102A181S](#) [CXS3106A14S6S](#)
[D38999/20FC8SA L/C](#) [MB12P-1](#) [MB12R-6](#) [7251-2PG-300](#) [7251-2SG-300](#) [7251-4PG-300](#) [7251-4SG-300](#) [7251-5PG-300](#) [7251-5SG-300](#)
[7251-6SG-300](#) [7251-7PG-300](#) [7251-8PG-300](#) [7271-6SG-300](#) [7282-3PG-300-CH3](#) [73000005663](#) [75-190011-03P](#) [75-190216-08S](#) [75-190218-](#)
[10P](#) [75-214636-52P](#) [75-474118-10P](#) [75-474211-03P](#) [75-474218-19S](#)